

MD 42

Microphones | Reporter's Microphones

Cat. No. 005173

General Description

The MD 42 is a high-quality reporter's microphone with omni-directional pick-up pattern. It has been specially optimised for rough use in live reporting and broadcasting environments. The MD 42 is a very 'good-natured' microphone whose design avoids wind and handling noise problems. Colour: black.



Technical Data

Pick-up pattern omni-directional
 Frequency response 40 – 18,000 Hz
 Sensitivity (free field, no load, 1 kHz) 2.0 mV/Pa ± 2.5 dB
 Nominal impedance (1 kHz) 350 Ω
 Min. terminating impedance 1 kΩ
 Connector 3-pin XLR
 Dimensions Ø 49 x 250 mm (Ø 1.93" x 9.84")
 Weight appx. 360 g (12.70 oz)

Features

- Good sound quality with excellent speech clarity
- Easy to handle due to a rugged, extra-long microphone body
- Excellent suppression of handling noise
- Two-ply sound inlet basket provides increased protection from wind and pop noise
- Delivery includes: 1 MD 42

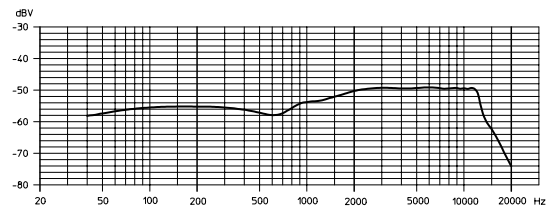
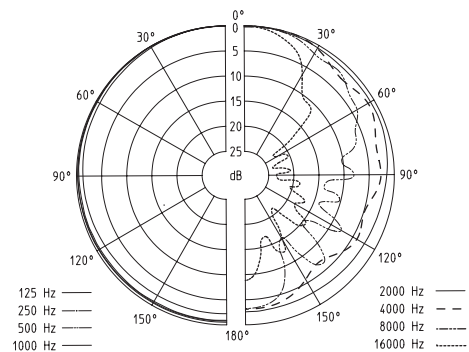
Recommended Accessories

- MZW 4032 windshield, anthracite
- MZW 1032-PRO velourised windshield, black
- MZQ 800 microphone clamp

Cat. No. 002978

Cat. No. 003746

Cat. No. 004711



Profile

Omni-directional reporter's microphone, very insensitive to wind and pop noise, frequency response 40 Hz to 18,000 Hz, sensitivity (free field, no load) 2.0 mV/Pa ± 2.5 dB at 1 kHz, nominal impedance 350 Ω at 1 kHz, min. terminating impedance 1,000 Ω, XLR-3 connector, dimensions Ø 49 x 250 mm (Ø 1.93" x 9.84"), weight appx. 360 g (12.70 oz).