

CAR SPEAKER ZgS-10-4/8-577,578

9 6153 008

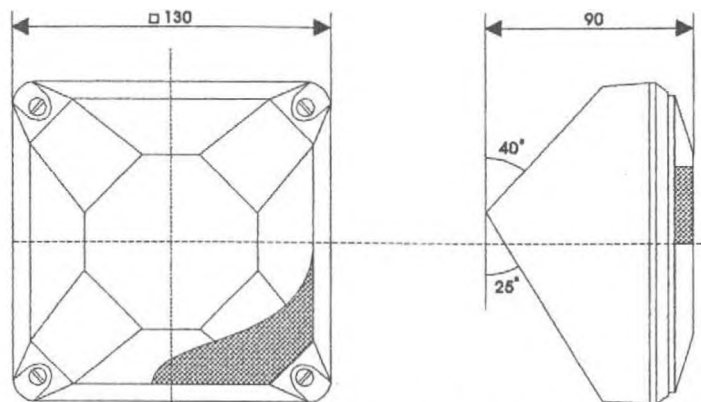
TECHNICAL DATA

System type	open	
Rated impedance	4	8 Ω
Rated frequency range	200 - 10000	Hz
Rated input power	10	W
Max. input power	25	W
Sensitivity	90	dB
Loudspeakers:		

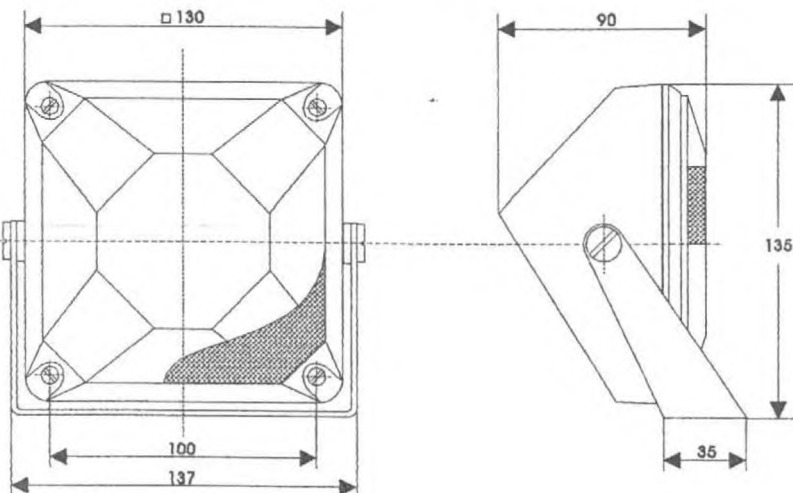
Mass	GD 10/10/1 - 4	GD 10/10/1 - 8
	0,6	0,8
		kg

AVAILABLE VERSIONS

- ZgS-10-4-577W - 4 Ω , front panel - silver, catalogue number 9 6153 008 03
- ZgS-10-8-577W - 8 Ω , front panel - silver, catalogue number 9 6153 008 04
- ZgS-10-4-577W - 4 Ω , front panel - anthracite, catalogue number 9 6153 008 07
- ZgS-10-8-577W - 8 Ω , front panel - anthracite, catalogue number 9 6153 008 08
- ZgS-10-4-578W - 4 Ω , front panel - silver, catalogue number 9 6153 009 03
- ZgS-10-8-578W - 8 Ω , front panel - silver, catalogue number 9 6153 009 04
- ZgS-10-4-578W - 4 Ω , front panel - anthracite, catalogue number 9 6153 009 07
- ZgS-10-8-578W - 8 Ω , front panel - anthracite, catalogue number 9 6153 009 08



ZgS-10-4/8-577



ZgS-10-4/8-578