

LOUDSPEAKER SYSTEM

ZgS-20-4-677

9 6153 026

TECHNICAL DATA

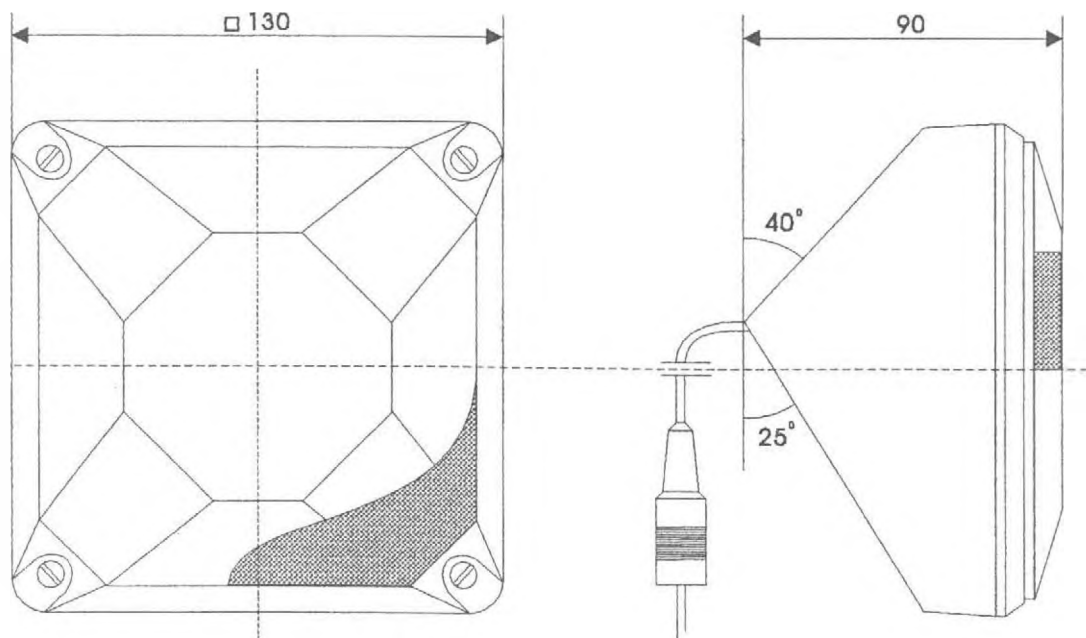
System type	open
Rated impedance	4 Ω
Rated frequency range	60 - 20000 Hz
Rated input power	20 W
Max. Input power	60 W
Sensitivity	87 dB
Crossover frequencies	6 kHz
Loudspeakers:	

GD 10/18/1 - 4 Ω
GDW 4/10 - 8 Ω
0,65 kg

Mass

AVAILABLE VERSIONS

- ZgS-20-4-677, catalogue number 9 6153 026 01



ZgS-20-4-677