

BG13

Visaton 13 cm (5") full-range driver with tweeter cone (3013)

[BACK](#)



General description

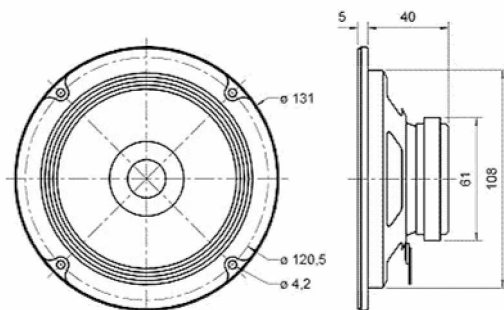
13 cm (5") full-range driver with tweeter cone. Very evenly spread frequency response and excellent voice reproduction quality. High efficiency. For use in larger scale PA arrays or smaller monitor speakers.

Typical applications:

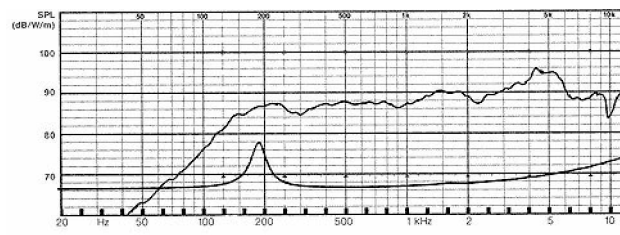
- PA arrays, projection speakers
- Smaller monitor speakers

Technical Data:

Rated power	20 Watt
Maximum power	40 Watt
Nominal impedance	8 Ohm
Frequency response (-10 dB)	120 - 20000 Hz
Mean sound pressure level	89 dB (1W/1m)
Maximum cone displacement	3 mm
Resonance frequency f_s	170 Hz
Magnetic induction	0,75 Tesla
Magnetic flux	190 μ Weber
Height of front pole-plate	4 mm
Voice coil diameter	20 mm
Height of winding	4,5 mm
Cutout diameter	110 mm
Net weight	0,32 kg
D.C. resistance R_{dc}	6,5 Ohm
Mechanical Q factor Q_{ms}	4,22
Electrical Q factor Q_{es}	2,8
Total Q factor Q_{ts}	1,68
Equivalent volume V_{as}	1,55 l
Effective piston area S_d	75 cm ²
Dynamically moved mass M_{ms}	4,5 g
Force factor B_{xl}	3,15 T m
Inductance of the voice coil L	0,4 mH



drawing



frequency response