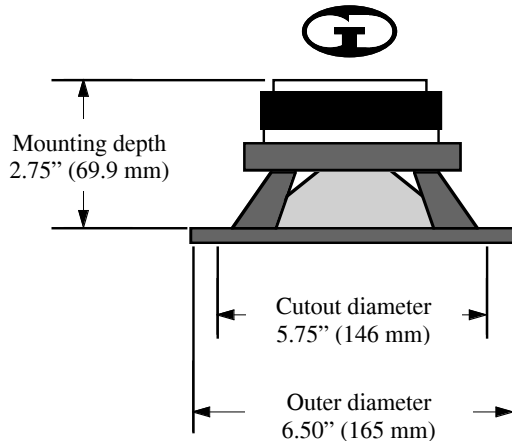


Specifications

Diameter: 6.5" (170mm)
Sensitivity: 90.0 dB
Power Handling: 70 Wrms (110W pk)
Frequency Response: 55 ~ 5000 hz
Nominal Impedance: 4 Ohms
Voice Coil Diameter: 1.0" (26mm)
Dimensions:

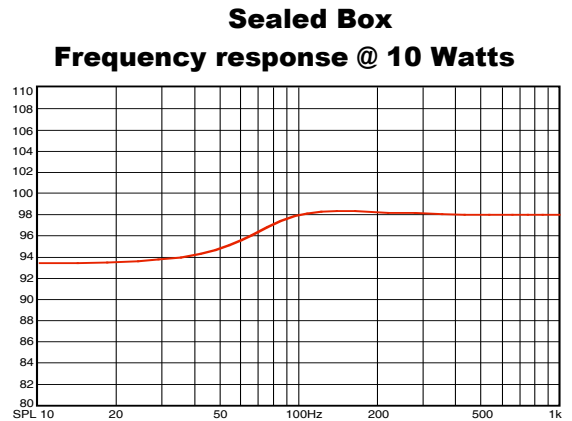
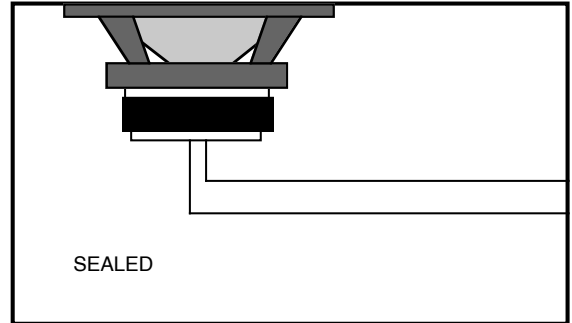


Thiele-Small Parameters

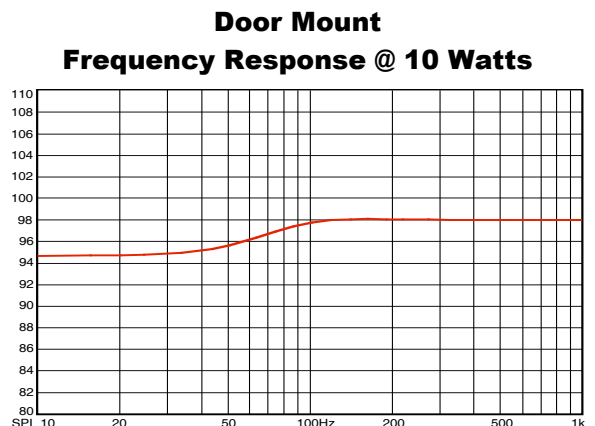
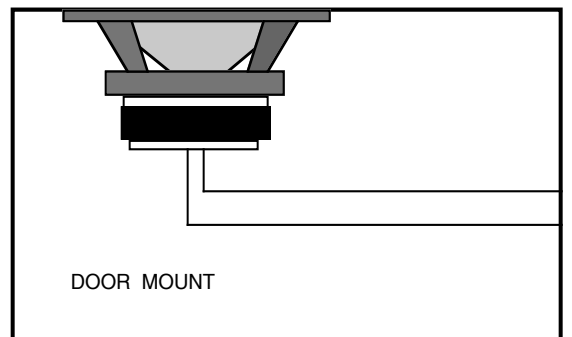
Free Air Resonance: 70 Hz
Voice Coil DC Resistance: 3.09 ohms
Voice Coil Inductance @ 1 kHz: 0.45mH
Mechanical Q (Q_{ms}): 10.5
Electrical Q (Q_{es}): 0.70
Total Q (Q_{ts}): 0.66
Compliance Volume (V_{as}): 8.56 l
0.302 ft³
Moving mass, Diaphragm: 14.95 Gr
Driver Radiating Area (S_d): 133 cm²
20.57 In²
Motor Force Factor: 5.37 Tm

Note:
All sealed boxes greater than 0.6 cubic feet up to free air are good. Lower bass with some ripple is available in the ported style. Optimal setup for bass in a medium size cab is shown here.

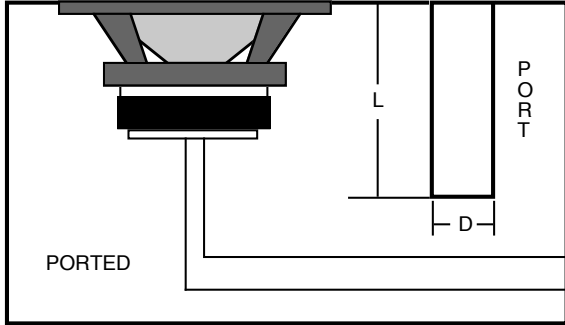
**Box Volume = 0.6 cu. Ft.
(17 liters) sealed**



**Door Volume = 1.0cu. Ft.
(28.35 liters)**



Box Volume = 0.4 cu. Ft. (11.3 liters)
Tuned to 45hZ Port = 2.0"d x 9.0"l



Ported Box
Frequency Response @ 10 Watts

