



PART NUMBER: GC0401MA

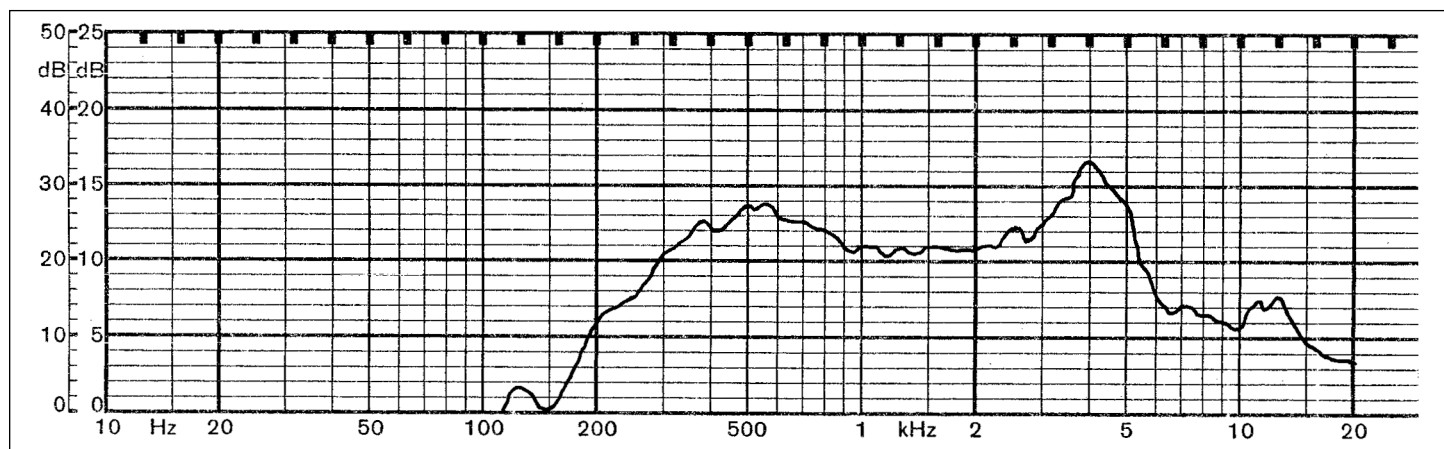
DESCRIPTION: speaker

SPECIFICATIONS

nominal size	40 mm		
impedance	8 Ohm \pm 15%	at	1 KHz 1 V
resonant frequency	450 Hz \pm 90 Hz	at	1 V
sound pressure level	83 dB/w \pm 3 dB	0.2 w 50 cm ave. at 0.8K, 1K, 1.2K, 1.5K Hz	
response	Fo Hz ~ 9 KHz max 10 dB		
input power	nominal 0.2 W	handling capacity	0.4 W
operation	must be normal at program source 0.2 W		
buzz, rattle, etc.	must be normal at sine wave 1.3V		
magnet	size: 12.5 x 1.5 mm		
load test	white noise	0.2 W for	24 hours
heat test	65 \pm 2° C	20-50% R.H.	24 hours
humidity test	40 \pm 2° C	90-95% R.H.	24 hours

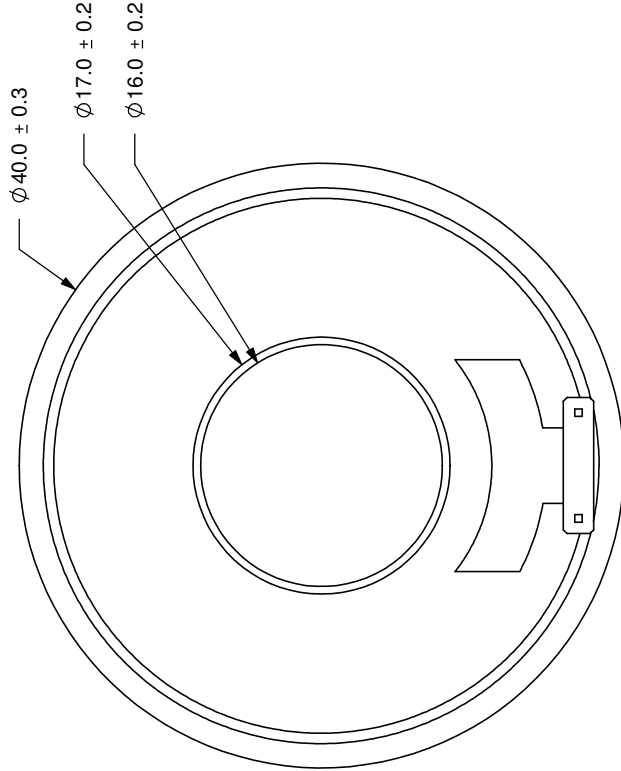
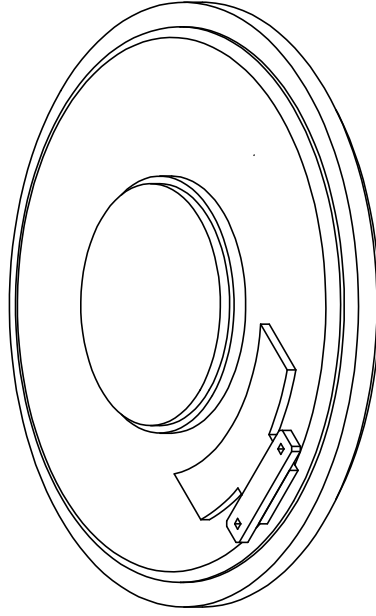
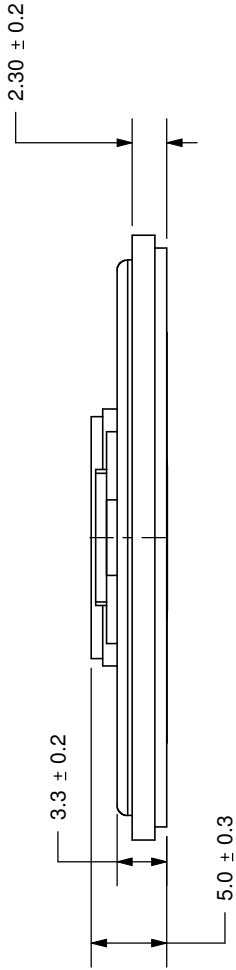
FREQUENCY RESPONSE CURVE

potentiometer range	50 dB
rectifier	RMS
lower limit frequency	20 Hz
wr. speed	100 mm/sec



zero level 60 dB

REV.	DESCRIPTION	DATE
A	NEW DRAWING	7/10/2008



20050 SW 112th Ave.
 Tualatin, OR 97062
 Phone: 503-612-2300
 800-275-4899
 Fax: 503-612-2383
 Website: www.cui.com

TITLE: LOW PROFILE NOTEBOOK SPEAKER	REV: A
PART NO: GC0401MA	UNITS: MM [INCHES]
DRAWN BY: JMS	APPROVED BY:
	SCALE: 2:1

PC FILE NAME: GC0401MA

COPYRIGHT 2008 BY CUI INC.