

FULL RANGE LOUDSPEAKER GD 10/10

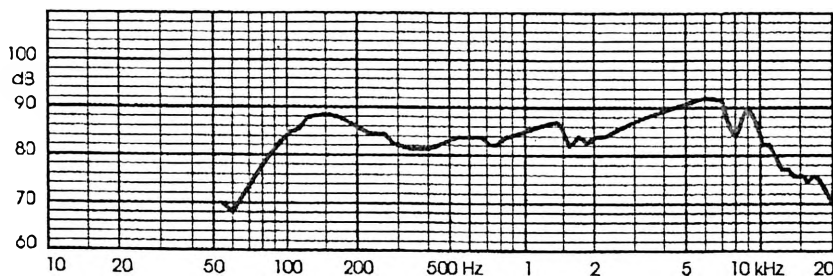
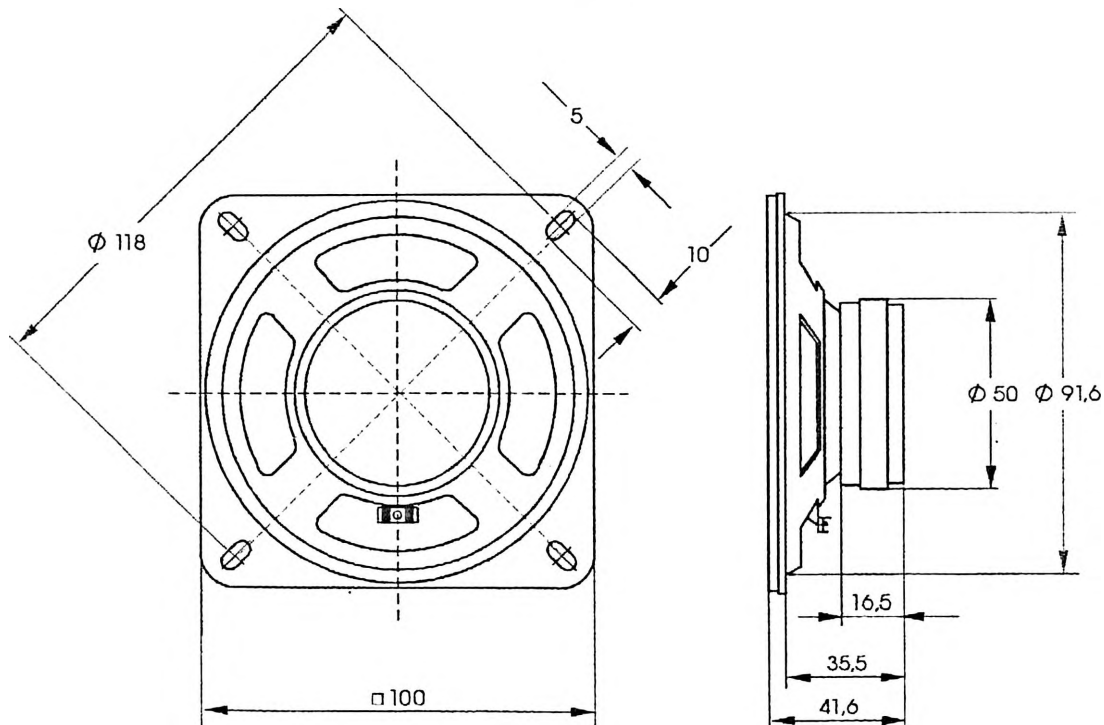
9 5157 006

TECHNICAL DATA

Rated impedance	4	8	Ω
Voice coil resistance	3,6	7	Ω
Rated frequency range	100 to 10000		kHz
Resonance frequency	145		kHz
Power handling capacity, /loudspeaker unmounted, 100 h continuous/	10		W
Max power	15		W
Sensitivity	89		dB
Flux density	0,85		T
Energy in air gap	37		mJ
Air-gap	14/4/0,68		mm
Voice coil height	5,3	5,8	mm
Magnet			
- material	ferrite		
- dimensions	50/22/8		mm
- mass	0,063		kg
Mass of loudspeaker	0,25		kg

AVAILABLE VERSIONS

- GD 10/10 - 4Ω, catalogue number 9 5157 006 01
- GD 10/10 - 8Ω, catalogue number 9 5157 006 05



FREQUENCY RESPONSE CURVE

Measured in anechoic room at 0,1 W, 0,5 m, Loudspeaker mounted on IEC baffle.