

FULL RANGE LOUDSPEAKER GD 10/20 / 3

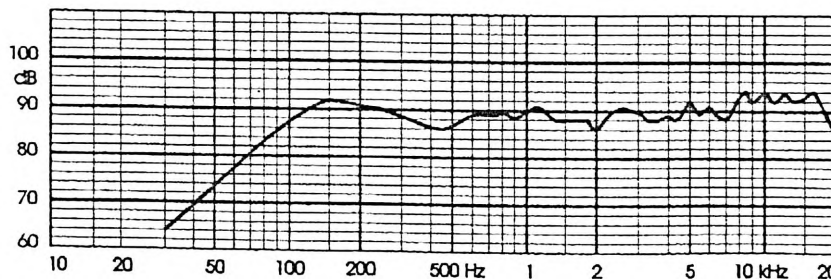
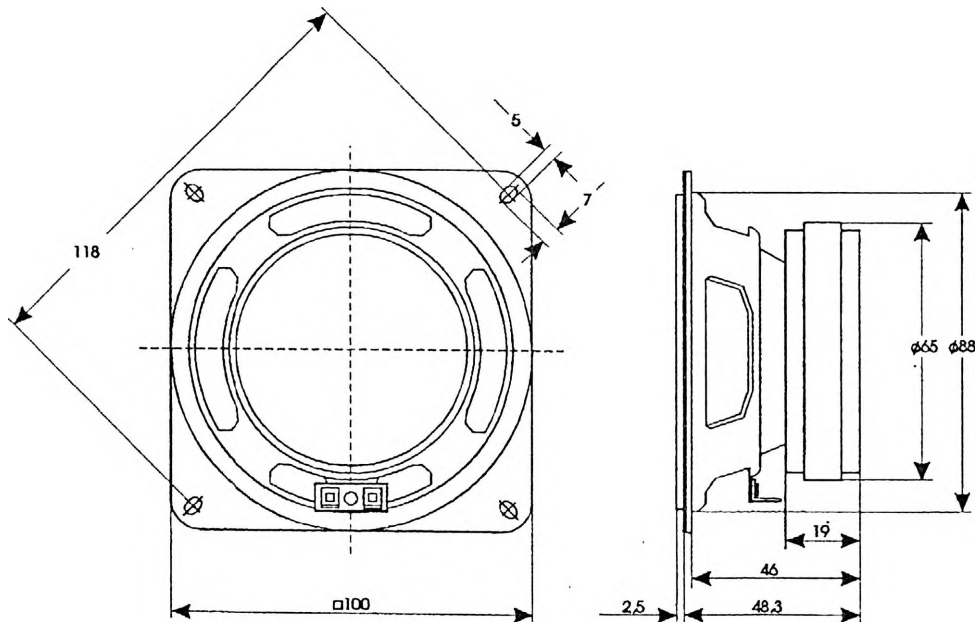
9 5157 075

TECHNICAL DATA

Rated impedance	4 Ω
Voice coil resistance	3,5 Ω
Rated frequency range	100 to 18000 Hz
Resonance frequency	110 Hz
Power handling capacity, loudspeaker unmouted, 100h continuous/	20 W
Max. power	40 W
Sensitivity	88 dB
Flux density	0,8 T
Energy in air gap	69 mJ
Air - gap	20/4,6/0,9 mm
Voice coil height	8,5 mm
Magnet	ferite
- material	65/32/10 mm
- dimensions	0,126 kg
- mass	0,45 kg
Mass of loudspeaker	

AVAILABLE VERSIONS

- GD 10/20 - 4 Ω , catalogue number 9 5157 075 01-02
- GD 10/20/3 - 4 Ω , catalogue number 9 5157 075 10



FREQUENCY RESPONSE CURVE

Measured in anechoic room at 0.1W/0.5m. Loudspeaker mounted on IEC baffle