

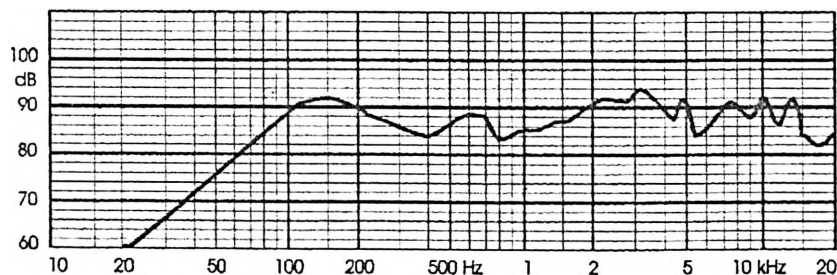
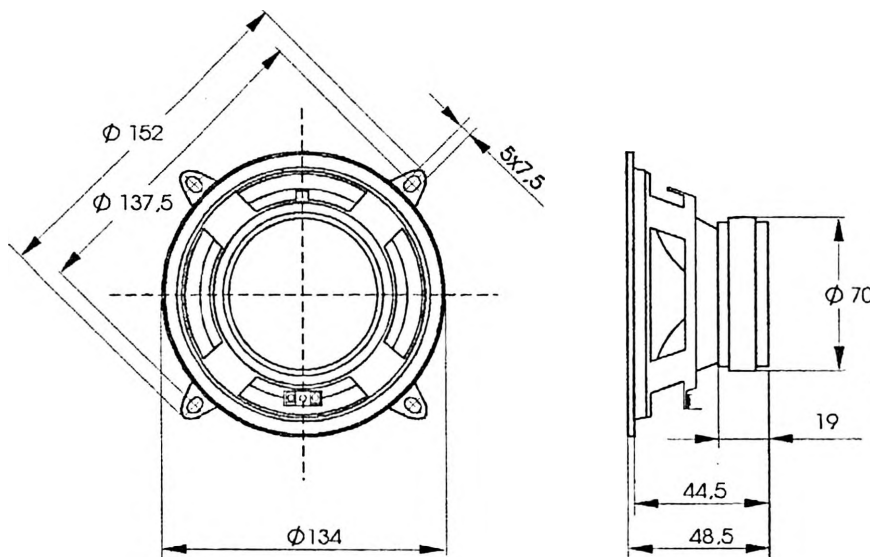
FULL RANGE LOUDSPEAKER GD 13/30/5

9 5157 085 10

TECHNICAL DATA

Rated impedance	4 Ω
Voice coil resistance	3,4 Ω
Rated frequency range	60 to 20000 Hz
Resonance frequency	70 Hz
Power handling capacity, /loudspeaker unmouted, 100h continuos/	30 W
Max. power	60 W
Sensitivity	89 dB
Flux density	0,76 T
Energy in air gap	87,4 mJ
Air - gap	25/4,6/1,125 mm
Voice coil height	6,8 mm
Magnet	
- material	ferrite
- dimensions	70/32/10 mm
- mass	0,151 kg
Mass of loudspeaker	0,51 kg

The loudspeaker has a double cone
Connection is by 2,8mm x 0,8mm and 4,8mm x 0,8mm tag connectors or by soldering.



FREQUENCY RESPONSE CURVE
Measured in anechoic room at 1W/1m. Loudspeaker mounted
on IEC baffle