

FULL RANGE LOUDSPEAKER GD 30/50/3

9 5157 057

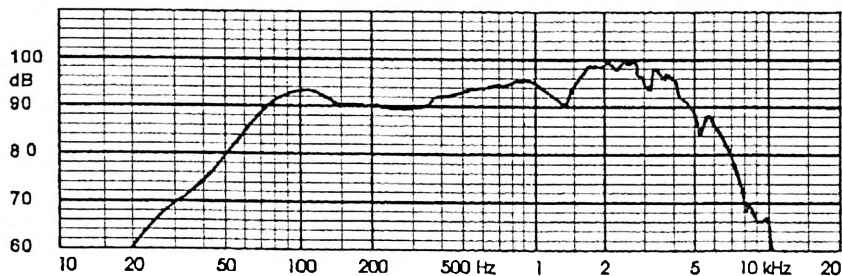
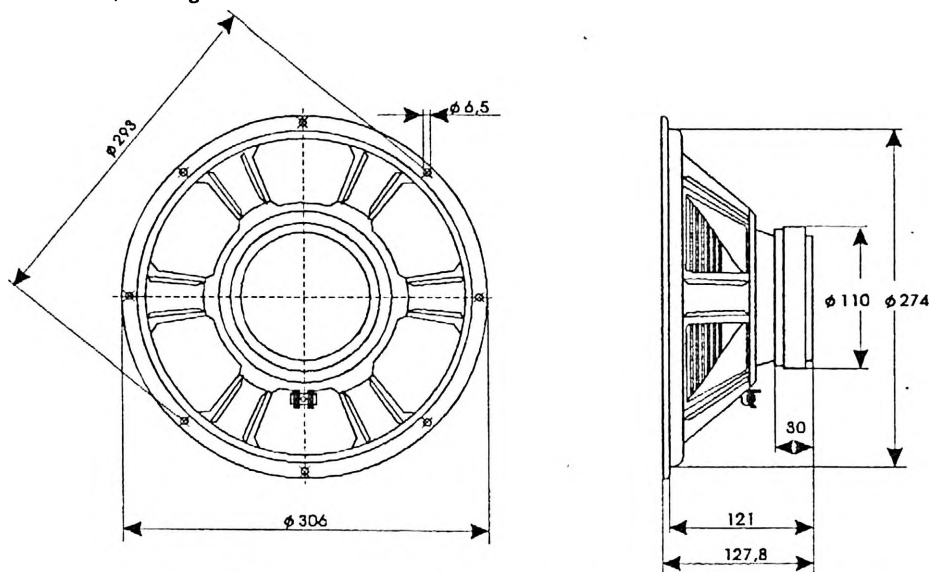
TECHNICAL DATA

Rated impedance	8	Ω
Voice coil resistance	6,4	Ω
Rated frequency range	75 to 4500	Hz
Resonance frequency	74	Hz
Power handling capacity / loudspeaker unmounted, 100 h continuous /	50	W
Max. power	110	W
Sensitivity	94	dB
Flux density	1,1	T
Energy in air gap	385	mJ
Force factor - Bl	8	Tm
Piston area - S_D	0,049	m^2
Total moving mass - M_{MS}	0,035	kg
Compliance /loudspeaker unmounted/ - C_{MS}	$13,2 \times 10^{-5}$	m/N
Equivalent box volume - V_{AS}	0,044	m^3
Quality factor /loudspeaker unmounted/		
- mechanical - Q_{MS}	6	
- electrical - Q_{ES}	1,5	
- total - Q_{TS}	1,2	
Air - gap	35/6/1,2	mm
Voice coil height	12,1	mm
Magnet		
- material	ferrite	
- dimensions	110/60/18	mm
- mass	0,6	kg
Mass of loudspeaker	2,5	kg

Connection is by 5,4 mm x 0,8 mm tag connectors or by soldering.

AVAILABLE VERSIONS

- GD 30/50/3 - 8 Ω , catalogue number 9 5157 057 01



FREQUENCY RESPONSE CURVE
Measured in anechoic room at 1W/1m. Loudspeaker mounted
in sealed 70 dm³ enclosure.