

# FULL RANGE LOUDSPEAKER GD 5-9/5

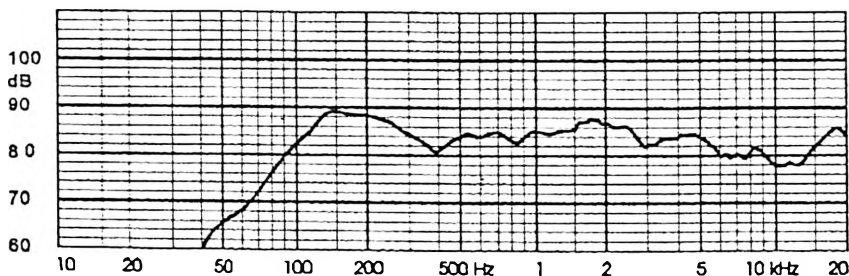
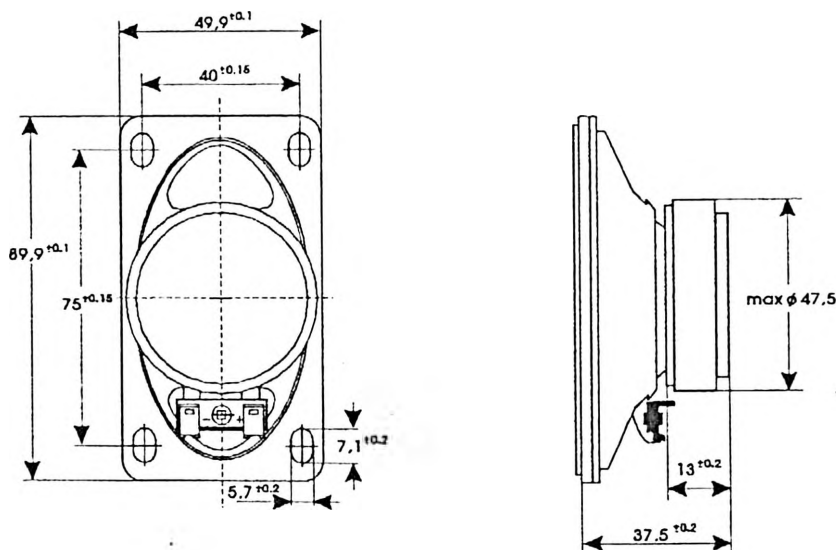
9 5111 042

## TECHNICAL DATA

Rated impedance	8 $\Omega$
Voice coil resistance	7,2 $\Omega$
Rated frequency range	120 to 20000 Hz
Resonance frequency	165 Hz
Power handling capacity / loudspeaker unmounted, 100 h continuous /	5 W
Max. power	8 W
Sensitivity	83 dB
Flux density	0,79 T
Energy in air gap	25,9 mJ
Air - gap	14/3/0,75 mm
Voice coil height	4,8 mm
Magnet	
- material	ferrite
- dimensions	45/22/8 mm
- mass	0,048 kg
Mass of loudspeaker	0,14 kg

## AVAILABLE VERSIONS

- GD 5-9/5 - 8 $\Omega$ , catalogue number 9 5111 042



FREQUENCY RESPONSE CURVE  
Measured in anechoic room at 1W/1m. Loudspeaker mounted on IEC baffle.