

WOOFER GDN 10/30

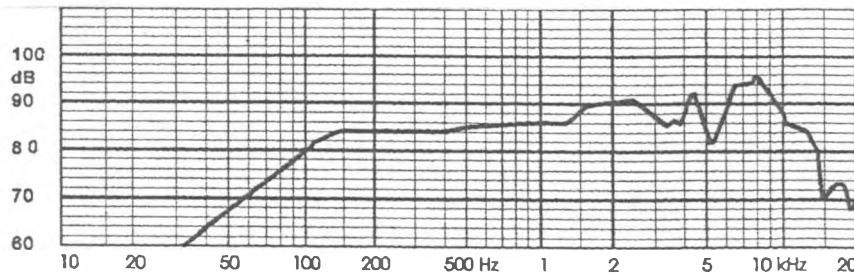
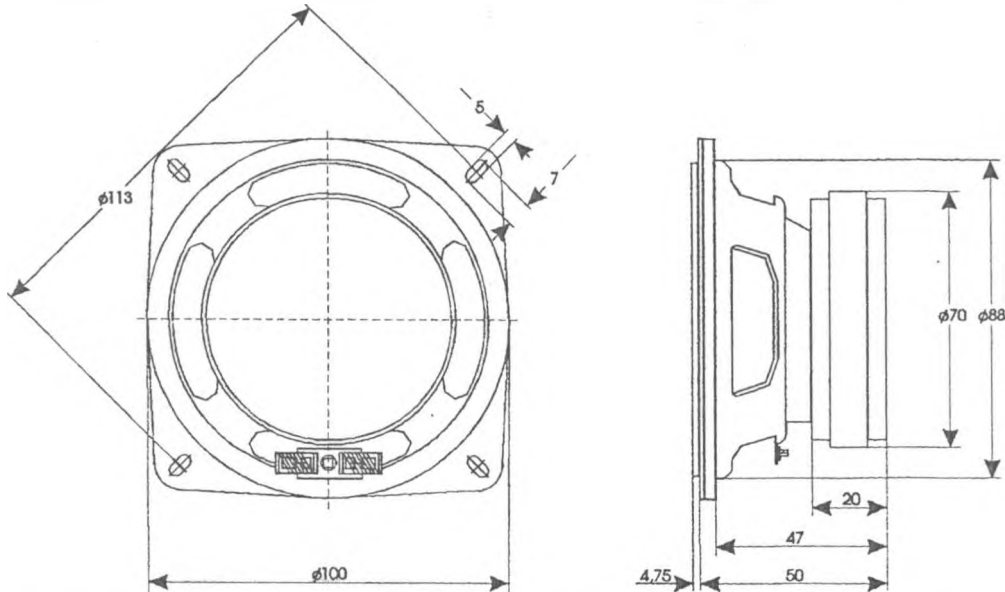
9 5151 134

TECHNICAL DATA

Rated Impedance	4	8	Ω
Voice coil resistance	3,4	6,8	Ω
Rated frequency range	150 to 10000		Hz
Resonance frequency	70		Hz
Power handling capacity	30		W
/ enclosure 1,6 dm ³ , 100 h continuous /	60		W
Max. power	86		dB
Sensitivity	0,83		T
Flux density	0,83	0,89	T
Energy in air gap	93,92	90,43	mJ
Force factor - Bl	3,33	4,5	Tm
Piston area - S _D	42,94 x 10 ⁻⁴		m ²
Total moving mass - M _{MS}	39,56 x 10 ⁻⁴		kg
Compliance /loudspeaker unmounted/ - C _{MS}	14,74 x 10 ⁻⁴		m/N
Equivalent box volume - V _{AS}	38,94 x 10 ⁻⁴		m ³
Quality factor /loudspeaker unmounted/	3,88		
- mechanical - Q _{MS}	3,88	3,56	
- electrical - Q _{ES}	0,49	0,56	
- total - Q _{TS}	0,44	0,49	
Air - gap	20/4,6/1,1	20/4,6/0,93	mm
Voice coil height	7,5	9,0	mm
Magnet	ferrite		
- material	70/32/10		mm
- dimensions	0,15		kg
- mass	0,5		kg
Mass of loudspeaker			

AVAILABLE VERSIONS

- GDN 10/30 - 4Ω, catalogue number 9 5151 134 01 - metallized glossy dustcap
- GDN 10/30 - 8Ω, catalogue number 9 5151 134 03 - metallized glossy dustcap
- GDN 10/30 - 8Ω, catalogue number 9 5151 134 05 - paper dustcap



FREQUENCY RESPONSE CURVE

Measured in anechoic room at 1W/1m. Loudspeaker mounted in sealed 1,6 dm³ enclosure.