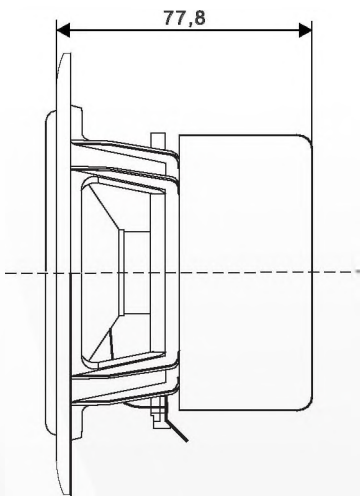


## WOOFER GDN 11/35/7

### TECHNICAL DATA

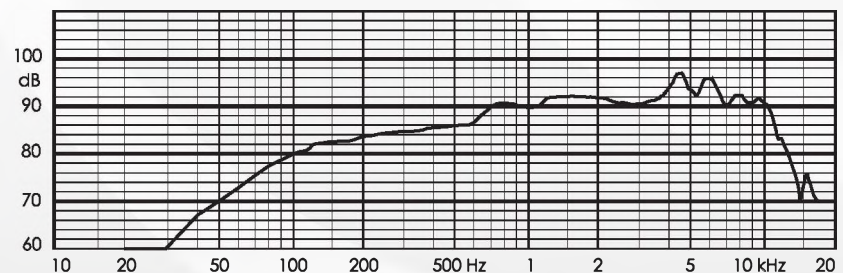
Rated impedance	12	Ω
Voice coil resistance	11	Ω
Voice coil inductance	0,38	mH @ 1kHz
Rated frequency range	100 to 7000	Hz
Resonance frequency	55	Hz
Power handling capacity	30	W
/ enclosure 5 dm <sup>3</sup> , 100 h, continuous /		
Max. power	60	W
Sensitivity	87	dB
Flux density	1,15	T
Energy in air gap	172	mJ
Force factor - Bl	7,3	Tm
Piston area - S <sub>p</sub>	69,4 x 10 <sup>-4</sup>	m <sup>2</sup>
Total moving mass - M <sub>MS</sub>	0,0063	kg
Compliance /loudspeaker unmounted/ - C <sub>MS</sub>	1,2 x 10 <sup>-3</sup>	m/N
Equivalent box volume - V <sub>AS</sub>	0,0082	m <sup>3</sup>
Quality factor /loudspeaker unmounted/		
- mechanical - Q <sub>MS</sub>	2,04	
- electrical - Q <sub>ES</sub>	0,43	
- total - Q <sub>TS</sub>	0,35	
Air - gap	25/4/1	mm
Voice coil height	8	mm
Magnet		
- material	ferrite	
- dimensions	70/32/15 , 70/32/10	mm
- mass	0,23 , 0,15	kg
Mass of loudspeaker	0,88	kg



The loudspeaker has a black polypropylene cone, a rubber surround, and a screened magnet system.

#### AVAILABLE VERSIONS

- GDN 11/35/7 - 12Ω, catalogue number 9 5151 284 03 - Kapton voice coil former, plastic dust cap.



#### FREQUENCY RESPONSE CURVE

Measured in anechoic room at 1W/1m. Loudspeaker mounted in sealed 5 dm<sup>3</sup> enclosure.