

WOOFER GDN 12/30/2

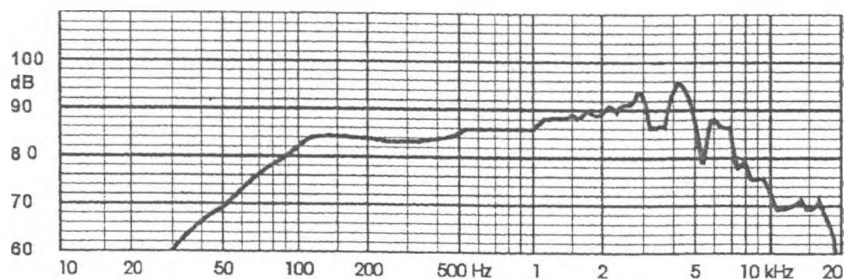
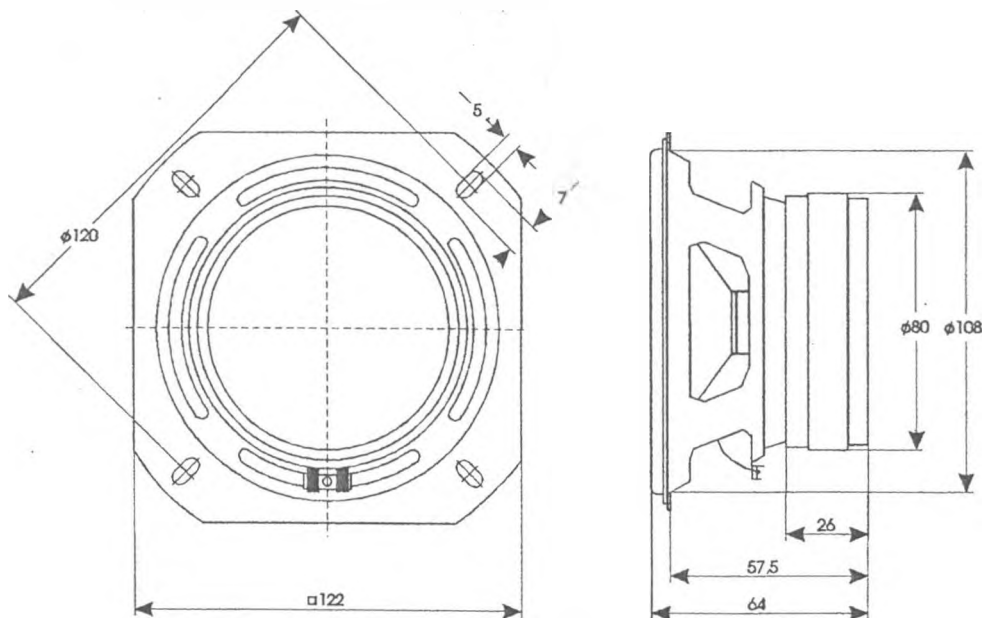
9 5151 005

TECHNICAL DATA

Rated impedance	6	Ω
Voice coil resistance	5,1	Ω
Rated frequency range	50 to 5000	Hz
Resonance frequency	50	Hz
Power handling capacity / enclosure 4,6 dm ³ , 100 h continuous /	30	W
Max. power	50	W
Sensitivity	86	dB
Flux density	0,76	T
Energy in air gap	154	mJ
Force factor - BI	4	Tm
Piston area - S _D	0,0091	m ²
Total moving mass - M _{MS}	0,0642	kg
Compliance /loudspeaker unmounted/ - C _{MS}	$6,97 \times 10^{-4}$	m/N
Equivalent box volume - V _{AS}	$8,37 \times 10^{-3}$	m ³
Quality factor /loudspeaker unmounted/		
- mechanical - Q _{MS}	3,55	
- electrical - Q _{ES}	0,98	
- total - Q _{TS}	0,77	
Air - gap	25/8/1,025	mm
Voice coil height	10	mm
Magnet		
- material	ferrite	
- dimensions	80/40/12	mm
- mass	0,23	kg
Mass of loudspeaker	0,9	kg

AVAILABLE VERSIONS

- GDN 12/30/2 - 6 Ω , catalogue number 9 5151 005 01



FREQUENCY RESPONSE CURVE
Measured in anechoic room at 1W/1m. Loudspeaker mounted
in sealed 4,6 dm³ enclosure.