

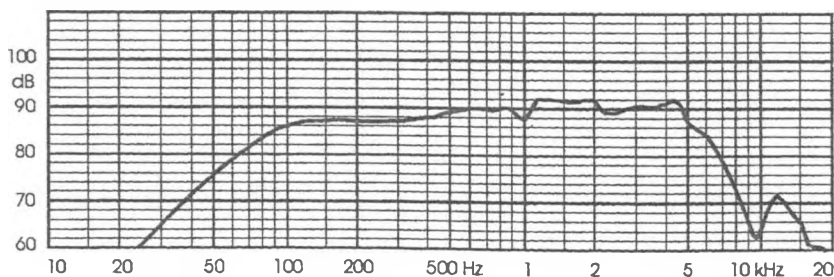
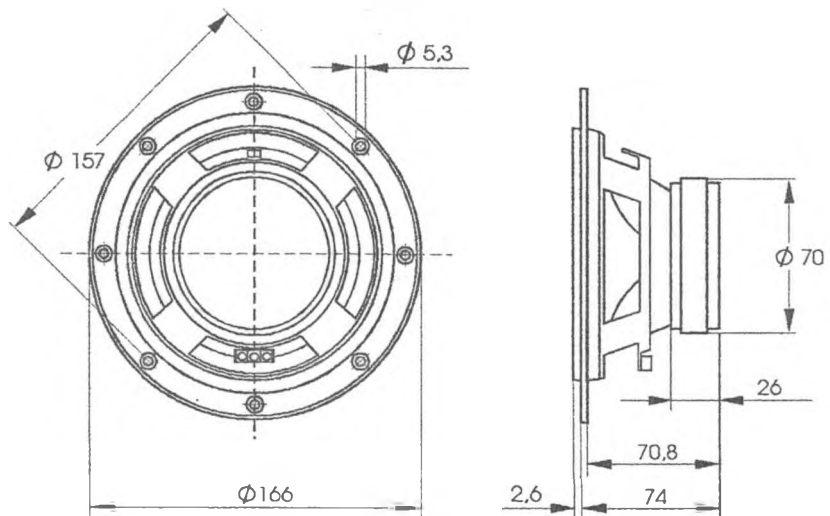
WOOFER GDN 16/40/7

9 5151 199 03

TECHNICAL DATA

Rated impedance	3,5 Ω
Voice coil resistance	2,9 Ω
Rated frequency range	80 to 5000 Hz
Resonance frequency /4W/	62 Hz
Power handling capacity / free air, 8 h continuous RS 426A/	40 W
Max power / IEC 268-5/	80 W
Sensitivity	89 dB
Flux density	0,75 T
Force factor - Bl	3,85 Tm
Piston area - S_D	0,012 m ²
Total moving mass - M_{MS}	0,0127 kg
Compliance /loudspeaker unmounted/ - C_{MS}	$4,84 \times 10^{-4}$ m/N
Equivalent box volume - V_{AS}	0,01 m ³
Quality factor /loudspeaker unmounted/	
- mechanical - Q_{MS}	5,34
- electrical - Q_{ES}	1,04
- total - Q_{TS}	0,87
Air - gap	25,5/5,2/1,28 mm
Voice coil height	10 mm
Magnet	
- material	ferrite
- dimensions	70/32/15 mm
- mass	0,23 kg
Mass of loudspeaker	1,1 kg

The loudspeaker has a polypropylene cone and rubber surround



FREQUENCY RESPONSE CURVE

Measured in anechoic room at 1W, 1m, Loudspeaker mounted in sealed 9 dm³ enclosure.