

WOOFER GDN 20/60/1

9 5151 052

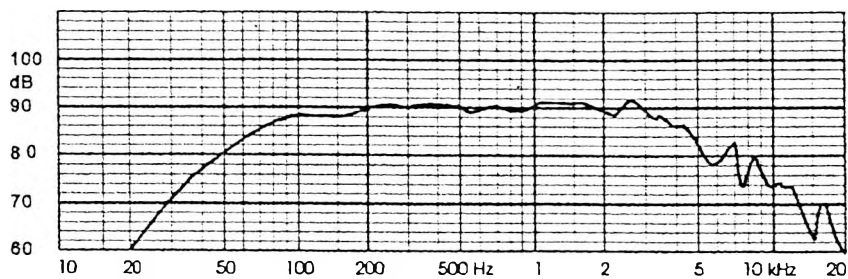
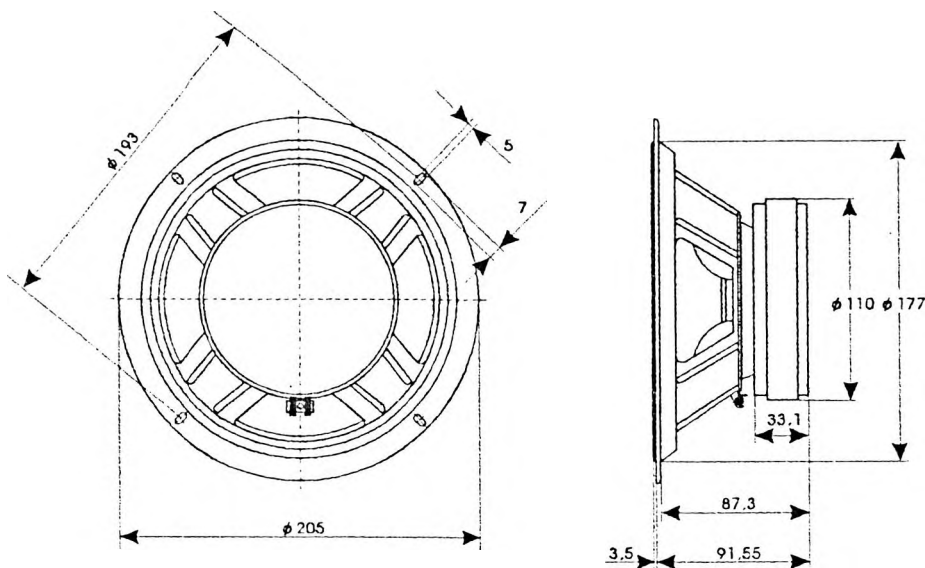
TECHNICAL DATA

Rated impedance	8	Ω
Voice coil resistance	7,3	Ω
Rated frequency range	80 to 3500	Hz
Resonance frequency	42	Hz
Power handling capacity / enclosure 24 dm ³ , 100 h continuous /	50	W
Max. power	90	W
Sensitivity	90	dB
Flux density	0,85	T
Energy in air gap	241,6	mJ
Force factor - Bl	8,1	Tm
Piston area - S _D	0,021	m ²
Total moving mass - M _{MS}	0,017	kg
Compliance /loudspeaker unmounted/ - C _{MS}	84x10 ⁻⁵	m/N
Equivalent box volume - V _{AS}	0,05	m ³
Quality factor /loudspeaker unmounted/		
- mechanical - Q _{MS}	7,85	
- electrical - Q _{ES}	0,55	
- total - Q _{TS}	0,52	
Air - gap	25/7,8/1,275	mm
Voice coil height	13	mm
Magnet		
- material	ferrite	
- dimensions	110/60/18	mm
- mass	0,6	kg
Mass of loudspeaker	1,55	kg

Diaphragm covered with damping - sealing material.

AVAILABLE VERSIONS

- GDN 20/60/1 - 8Ω, catalogue number 9 5151 052 01



FREQUENCY RESPONSE CURVE
Measured in anechoic room at 1W/1m. Loudspeaker mounted
in sealed 24 dm³ enclosure.