

WOOFER GDN 20/60/29

9 5151 250

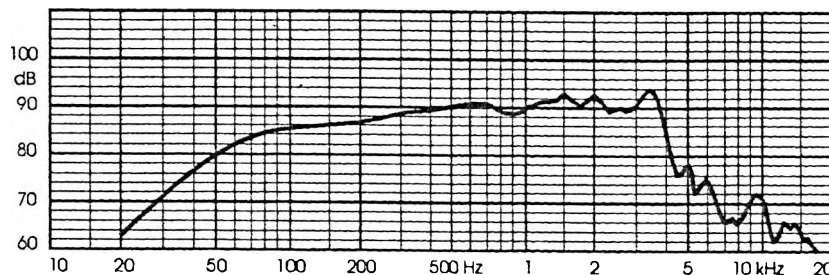
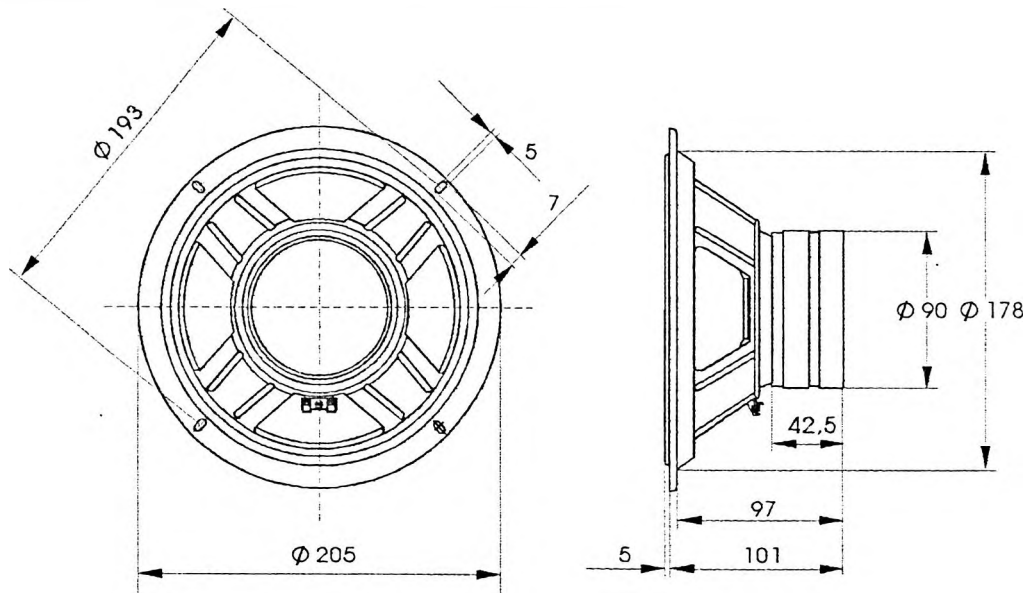
TECHNICAL DATA

Rated impedance	8	Ω
Voice coil resistance	6,6	Ω
Rated frequency range	50 to 3000	Hz
Resonance frequency	32	Hz
Power handling capacity / enclosure 24 dm ³ , 100 h continuous /	60	W
Max power	120	W
Sensitivity	89	dB
Flux density	0,8	T
Energy in air gap	270	mJ
Force factor - Bl	7,5	Tm
Piston area - S _D	0,022	m ²
Total moving mass - M _{MS}	0,024	kg
Compliance /loudspeaker unmounted/ - C _{MS}	1,28 x 10 ⁻³	m/N
Equivalent box volume - V _{AS}	0,09	m ³
Quality factor /loudspeaker unmounted/		
- mechanical - Q _{MS}	2,3	
- electrical - Q _{ES}	0,5	
- total - Q _{TS}	0,41	
Air - gap	35/8/1,2	mm
Voice coil height	12,3	mm
Magnet		
- material	ferrite	
- dimensions	90/45/13	90/45/15,5 mm
- mass	0,31	0,35 kg
Mass of loudspeaker		1,7 kg

The loudspeaker has a polypropylene cone

AVAILABLE VERSIONS

- GDN 20/60/29 - 8 Ω , catalogue number 9 5151 250 01 - black cone



FREQUENCY RESPONSE CURVE

Measured in anechoic room at 1W, 1m, Loudspeaker mounted in sealed 24 dm³ enclosure.