

CONE TWEETER LOUDSPEAKER GDW 9/15/ 16

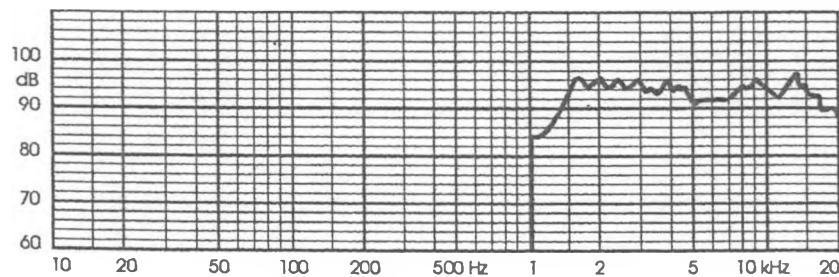
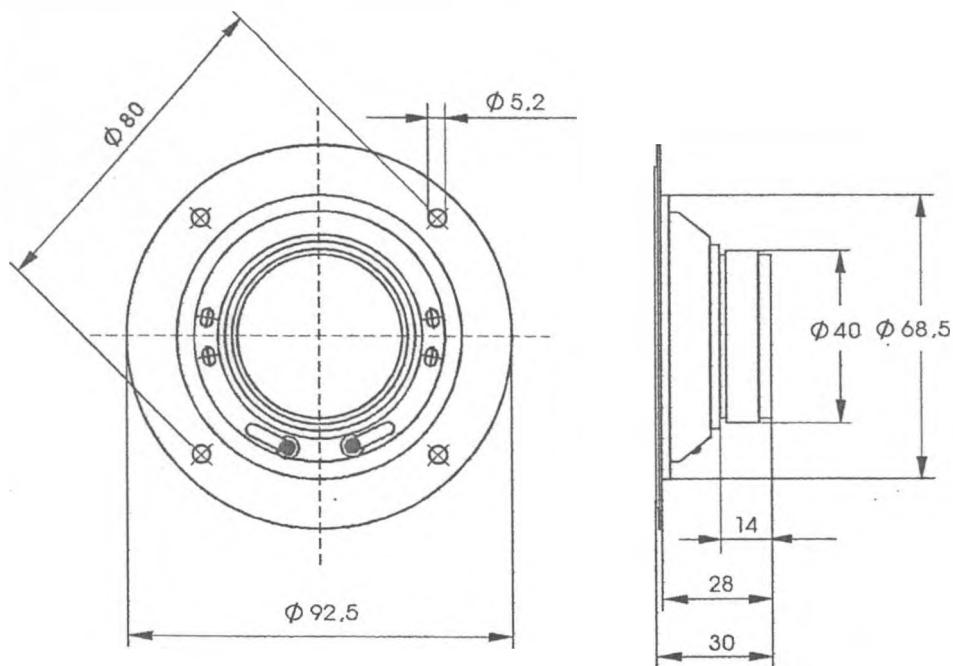
9 5155 007

TECHNICAL DATA

Rated impedance	4	8	15	Ω
Voice coil resistance	3,6	6,7	13,7	Ω
Rated frequency range	3 to 20			kHz
Resonance frequency	-			kHz
Recommended crossover frequency	3			kHz
Power handling capacity, P1/P2, measured with filter	15/0,5		30/1	W
Max power	15/0,5		30/1	W
Sensitivity	92			dB
Flux density	0,8			T
Energy in air gap	19,6			mJ
Air-gap	13/3/0,6		2,5	mm
Voice coil height	2	1,8	2,5	mm
Magnet	ferrite			
- material	39/22,5/9			mm
- dimensions	0,036			kg
- mass	0,18			kg
Mass of loudspeaker				

AVAILABLE VERSIONS

- GDW 9/15/5 - 4 Ω , catalogue number 9 5155 007 01
- GDW 9/15/5 - 8 Ω , catalogue number 9 5155 007 05
- GDW 9/15/5 - 15 Ω , catalogue number 9 5155 007 09
- GDW 9/15/6 - 8 Ω , catalogue number 9 5155 007 13
- GDW 9/15/6 - 15 Ω , catalogue number 9 5155 007 19



FREQUENCY RESPONSE CURVE
Measured in anechoic room at 1W/ 1m, Loudspeaker mounted on IEC baffle.