

# DOME TWEETER LOUDSPEAKER GDWK 10/80/22

9 5155 099

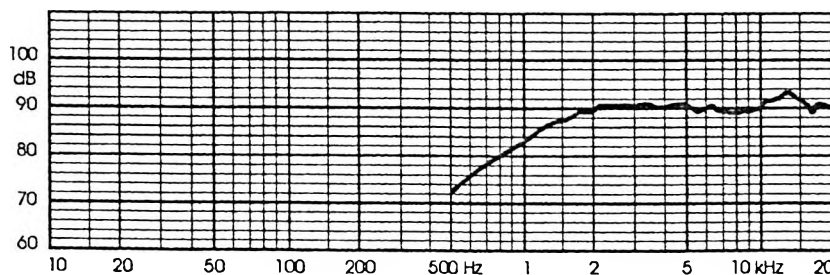
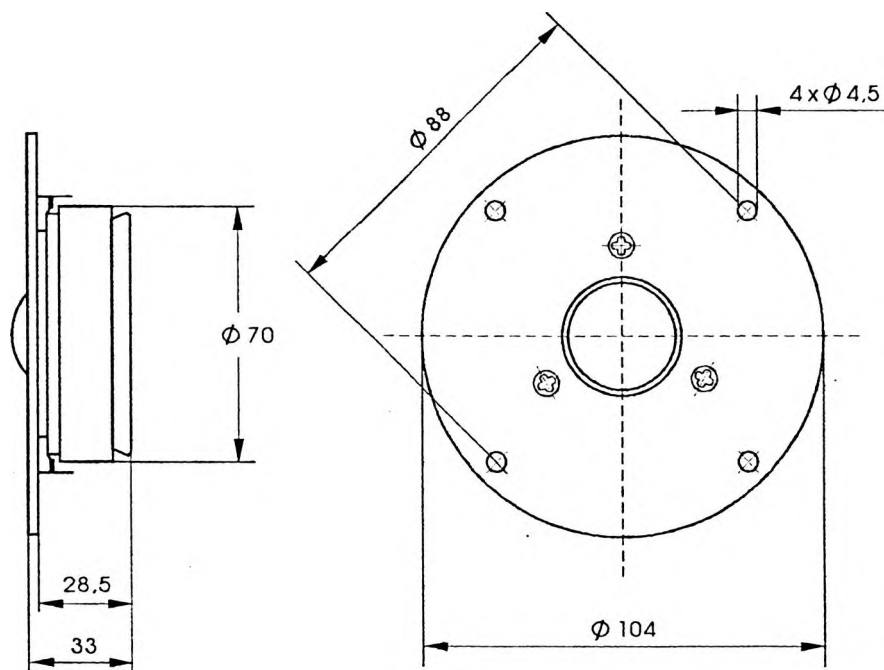
## TECHNICAL DATA

Rated impedance	8 $\Omega$
Voice coil resistance	6,3 $\Omega$
Rated frequency range	4 to 20 kHz
Resonance frequency	- kHz
Recommended crossover frequency	4,8 kHz
Power handling capacity, P1/P2, measured with filter,	80/5 W
Max power	160/10 W
Sensitivity	90 dB
Flux density	1,16 T
Energy in air gap	104,6 mJ
Air-gap	25/3/0,745 mm
Voice coil height	1,9 mm
Magnet	ferite
- material	70/32/15 mm
- dimensions	0,23 kg
- mass	0,6 kg
Mass of loudspeaker	

Membrane material-cotton cloth.  
Magnetic fluid - APG833

## AVAILABLE VERSIONS

- GDWK 10/80/22 - 8 $\Omega$ , catalogue number 9 5155 099 10



FREQUENCY RESPONSE CURVE  
Measured in anechoic room at 1W, 1m, Loudspeaker mounted  
on IEC baffle..