

# DOME TWEETER LOUDSPEAKER GDWK 10/80T

9 5155 168

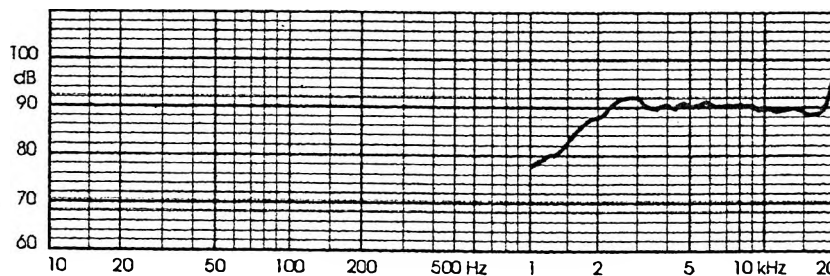
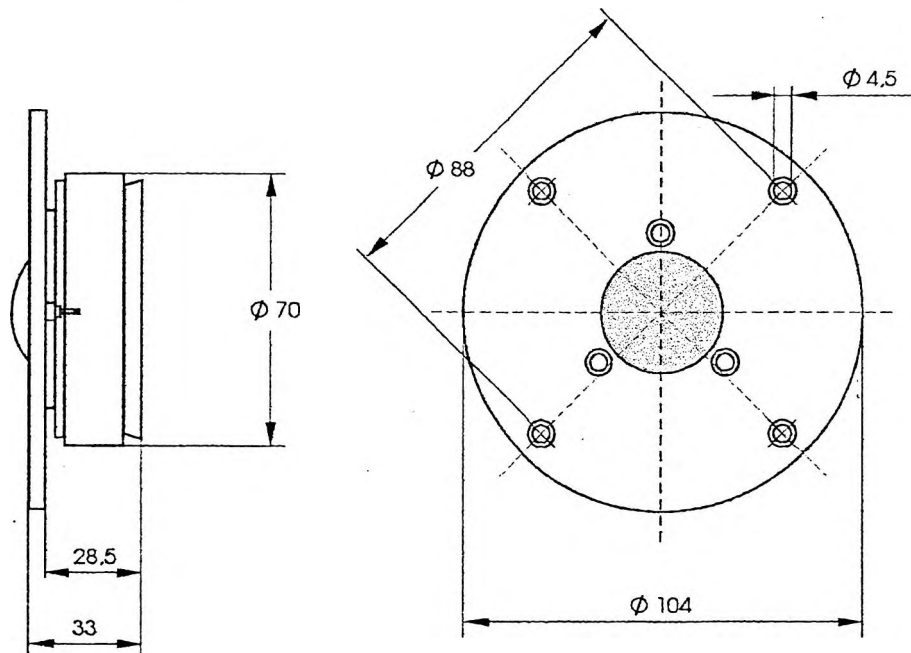
## TECHNICAL DATA

Rated impedance	8	15	$\Omega$
Voice coil resistance	6,3	12	$\Omega$
Rated frequency range	4 to 20		kHz
Resonance frequency	-		kHz
Recommended crossover frequency	4,8		kHz
Power handling capacity, P1/P2, measured with filter,		80/4	W
Max power		160/8	W
Sensitivity		90	dB
Flux density		1,16	T
Energy in air gap		104,6	mJ
Air-gap		25/3/0,745	mm
Voice coil height	1,9	2,5	mm
Magnet			
- material		ferrite	
- dimensions		70/32/15	mm
- mass		0,23	kg
Mass of loudspeaker		0,6	kg

Membrane material-titanium

## AVAILABLE VERSIONS

- GDWK 10/80T - 8  $\Omega$ , catalogue number 9 5155 168 01
- GDWK 10/80T - 15  $\Omega$ , catalogue number 9 5155 168 02



FREQUENCY RESPONSE CURVE  
Measured in anechoic room at 1W, 1m, Loudspeaker mounted  
on IEC baffle..