

# DOME TWEETER LOUDSPEAKER GDWK 9/80/2

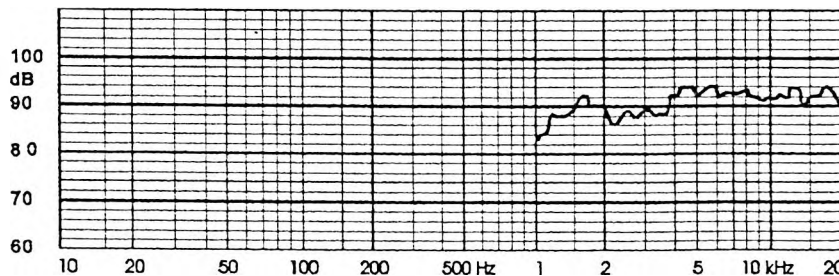
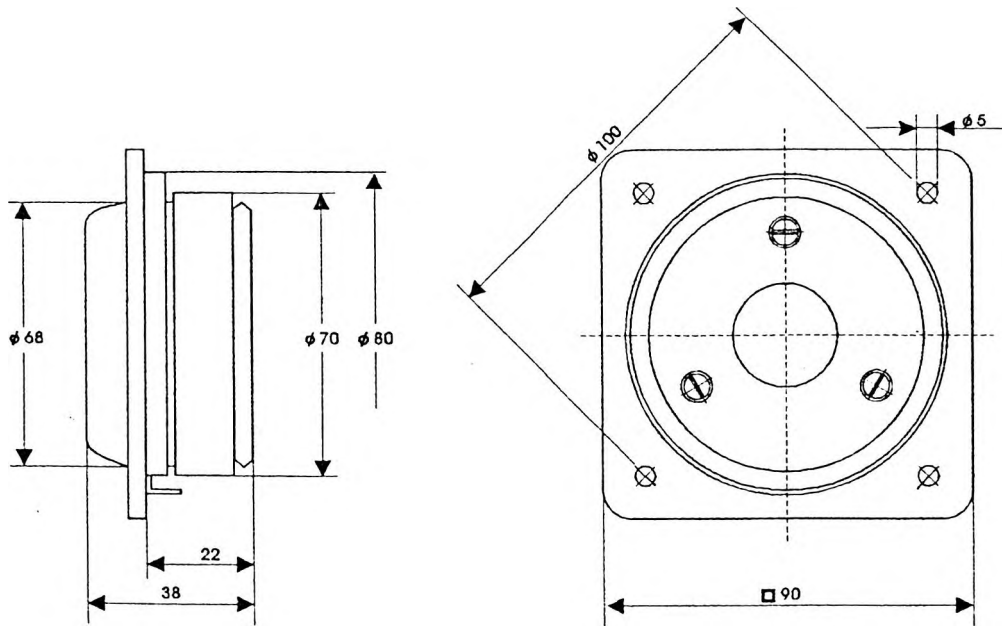
9 5155 011

## TECHNICAL DATA

Rated impedance	4	8	Ω
Voice coil resistance	2,9	6,3	Ω
Rated frequency range	4 to 20		kHz
Resonance frequency	1,1		kHz
Recommended crossover frequency	4,8		kHz
Power handling capacity, P1/P2, measured with filter,	80/2,5		W
Max. power	160/5		W
Sensitivity	93	92	dB
Flux density	1,1	1,16	T
Energy in air gap	94,1	95,6	mJ
Air - gap	25/3/0,815	25/3/0,745	mm
Voice coil height	2,9	1,9	mm
Magnet			
- material	ferite		
- dimensions	70/32/10		mm
- mass	0,15		kg
Mass of loudspeaker	0,6		kg

## AVAILABLE VERSIONS

- GDWK 9/80/2 - 4Ω, catalogue number 9 5155 011 05
- GDWK 9/80/2 - 8Ω, catalogue number 9 5155 011 01



FREQUENCY RESPONSE CURVE  
Measured in anechoic room at 1W, 1 m. Loudspeaker mounted  
on IEC baffle.