

HORN TWEETER LOUDSPEAKER GDWT 9/80/5F

9 5155 033

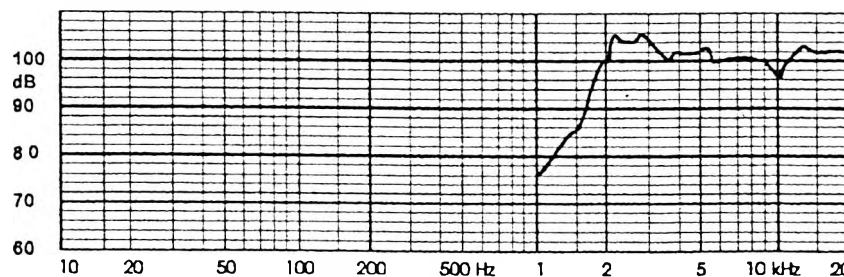
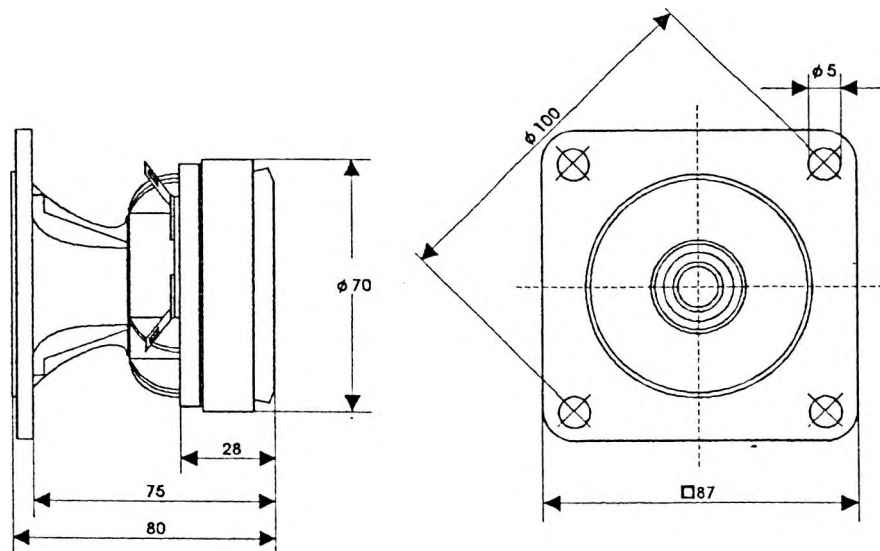
TECHNICAL DATA

Rated Impedance	4	8	Ω
Voice coil resistance	2,9	6,3	Ω
Rated frequency range	4 to 20		kHz
Resonance frequency	-		kHz
Recommended crossover frequency	4,5		kHz
Power handling capacity, P1/P2, measured with filter,	80/6		W
Max. power	200/15		W
Sensitivity	100		dB
Flux density	1,16	1,29	T
Energy in air gap	106	119,5	mJ
Air - gap	25/3/0,815	25/3/0,745	mm
Voice coil height	1,8		mm
Magnet			
- material	ferrite		
- dimensions	70/32/15		mm
- mass	0,23		kg
Mass of loudspeaker	0,8		kg

The loudspeaker has flexible wire leads and an air gap with ferrofluid.

AVAILABLE VERSIONS

- GDWT 9/80/5F - 4Ω, catalogue number 9 5155 033 01
- GDWT 9/80/5F - 8Ω, catalogue number 9 5155 033 02



FREQUENCY RESPONSE CURVE
Measured in anechoic room at 1W, 1m, free field.