

4" Midrange

Type Number: MG10SD09-04

Features:

Driver Highlights: 4" midrange, glass fibre cone, magnesium chassis, magnetically shielded



Specs:

Electrical Data

Nominal impedance	Zn	4	ohm
Minimum impedance	Zmin	--	ohm
Maximum impedance	Zo	--	ohm
DC resistance	Re	3	ohm
Voice coil inductance	Le	0.22	mH

T-S Parameters

Resonance Frequency	fs	84	Hz
Mechanical Q factor	Qms	3.59	
Electrical Q factor	Qes	0.66	
Total Q factor	Qts	0.55	
Force factor	Bl	2.78	Tm
Mechanical resistance	Rms	--	Kg/s
Moving mass	Mms	3.2	g
Suspension compliance	Cms	--	mm/N
Effective cone diameter	D	--	cm
Effective piston area	Sd	38	cm ²
Equivalent volume	Vas	2.3	ltrs
Sensitivity (2.83V/1m)		87.5	dB

Power handling

Long-term Max Power (IEC 18.3)	--	W
Max linear SPL (rms) @ power	--	dB/W
Short Term Max power (IEC 18.2)	--	W

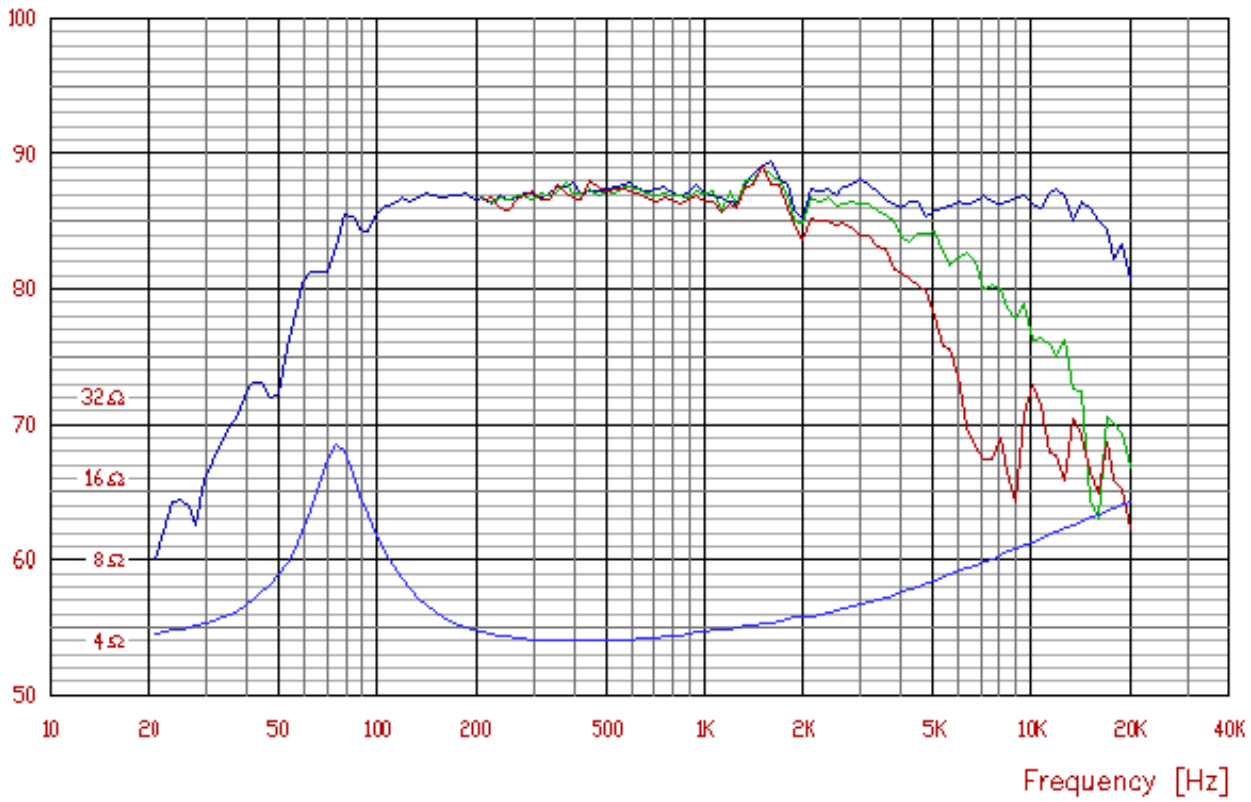
Voice Coil and Magnet Parameters

Voice coil diameter	20	mm
Voice coil height	5.1	mm
Voice coil layers	--	
Height of the gap	3.8	mm
Flux density of gap	--	mWb
Total useful flux	--	mWb
Diameter of magnet	--	mm
Height of magnet	--	mm
Weight of magnet	0.21	Kg

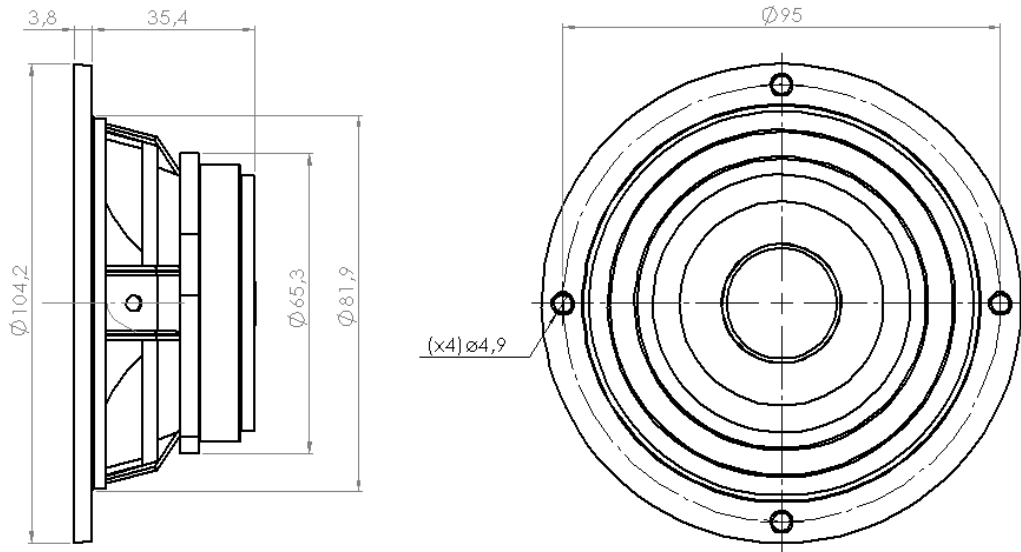
Notes:
IEC specs refer to IEC 60268-5 third edition.
All Tymphany products are RoHS compliant.

Frequency: MG10SD09-04

SPL [dB]



Mechanical Dimensions: MG10SD09-04



MG10SD09-04