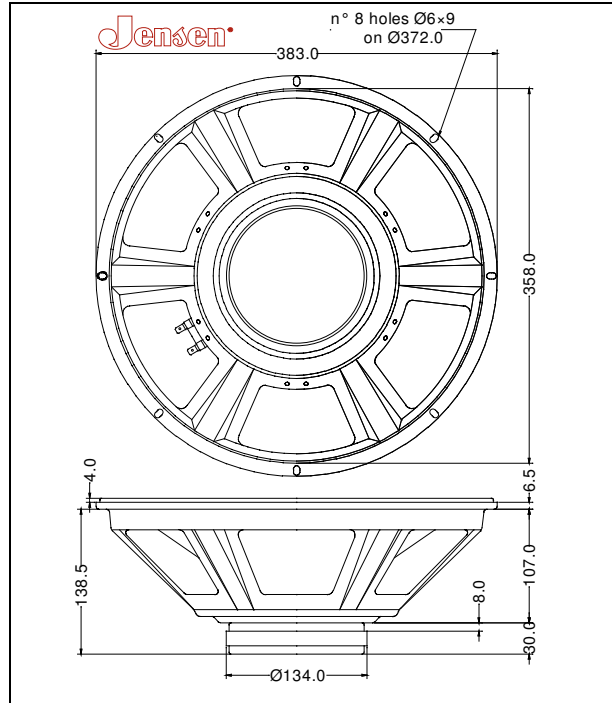


| GENERAL CHARACTERISTICS | | |
|-----------------------------|--------|----------|
| Nominal Overall Diameter | 385 mm | 15 in |
| Nominal Voice Coil Diameter | 50 mm | 2 in |
| Magnet Weight | 810 g | 28.5 oz |
| Overall Weight | | 9.25 lbs |
| Flux Density | | 1.00 T |

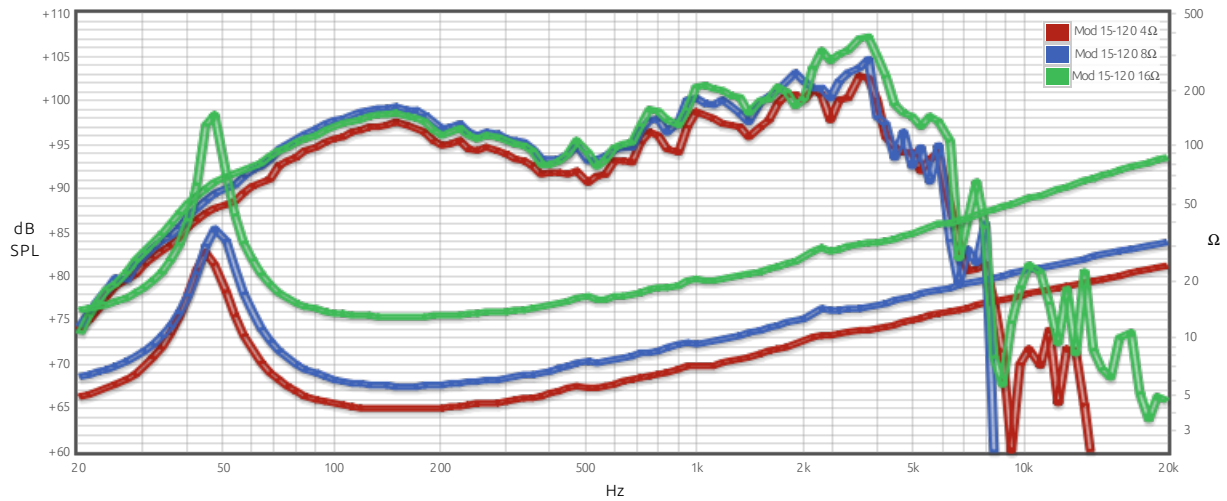
| ELECTRICAL CHARACTERISTICS | | | |
|----------------------------|------|------|---------|
| | 4 Ω | 8 Ω | 16 Ω |
| Nominal Impedance | 4 | 8 | 16 Ω |
| Rated Power | 100 | 100 | 100 W |
| Musical Power | 200 | 200 | 200 W |
| Sensitivity@1W,1m | 95.3 | 96.5 | 95.4 dB |

| THIELE-SMALL PARAMETERS | | | | |
|------------------------------|-----------|-------|-------|-----------------------|
| | | 4 Ω | 8 Ω | 16 Ω |
| Voice Coil DC Resistance | R_E | 3.77 | 4.94 | 12.03 Ω |
| Resonance Frequency | f_S | 41.5 | 47.5 | 47.1 Hz |
| Mechanical Q Factor | Q_{MS} | 5.13 | 5.59 | 16.48 |
| Electrical Q Factor | Q_{ES} | 0.75 | 0.89 | 1.13 |
| Total Q Factor | Q_{TS} | 0.65 | 0.77 | 1.06 |
| Mechanical Moving Mass | M_{MS} | 53.7 | 59.0 | 49.5 g |
| Mechanical Compliance | C_{MS} | 275 | 191 | 231 μm/N |
| Force Factor | B_{XL} | 8.39 | 9.87 | 12.48 Wb/m |
| Equivalent Acoustic Volume | V_{AS} | 220.1 | 153.0 | 184.4 lt. |
| Maximum Linear Displacement | X_{MAX} | 1.0 | 1.0 | 1.0 mm |
| Reference Efficiency | η_0 | 2.01 | 1.76 | 1.64 % |
| Diaphragm Area | S_D | 754.8 | 754.8 | 754.7 cm ² |
| Losses Electrical Resistance | R_{ES} | 25.8 | 31.0 | 175.0 Ω |
| Voice Coil Inductance @ 1kHz | L_E | 0.62 | 0.70 | 1.49 mH |

| CONSTRUCTIVE CHARACTERISTICS | |
|------------------------------|---------------------|
| Magnet | Ferrite |
| Voice Coil Winding | Copper |
| Voice Coil Former | Aluminum |
| Cone | Paper |
| Surround | Integrated Paper |
| Dust Dome | Solid Paper |
| Basket | Pressed Sheet Steel |



Frequency Response on IEC Baffle (DIN 45575) @ 1 W, 1 m - Free Air Impedance



Due to continuing product improvement, the features and the design are subject to change without notice.