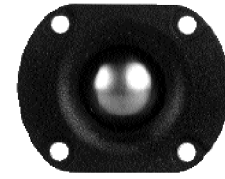


TWEETER

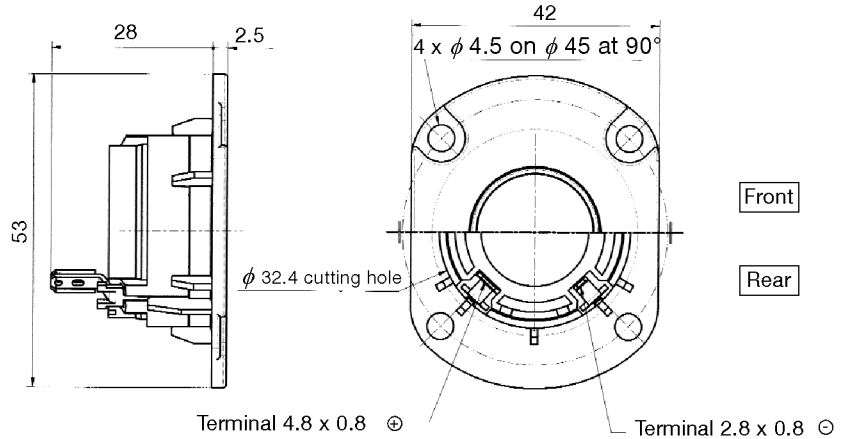
TM020G7 D08ISZ4253
102458T

Dec .99

Hi Fi . Rectangular . Titanium 8 Ω

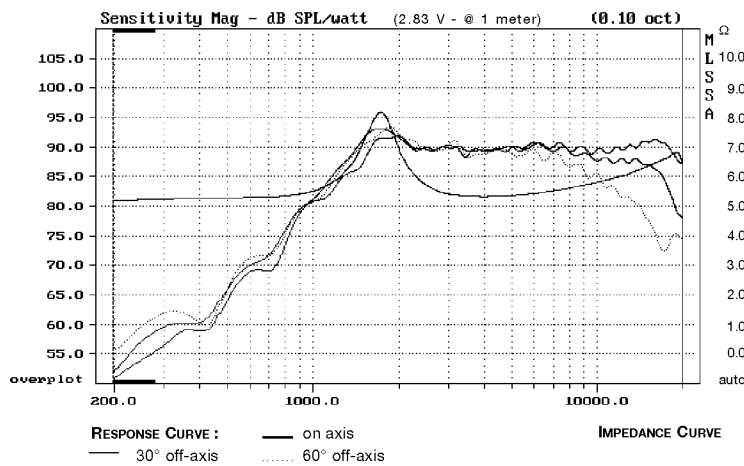


- Optimized pure titanium dome profile
- Ultra compact design for small high-end and multimedia systems
- Smooth response face plate profile
- Ultra light copper clad aluminium wire
- High energy neodymium magnet (20 times ceramic magnet)
- Ferrofluid cooled voice coil (new generation : 250 cps)
- Inherently shielded magnet system for audio / video application
- Soft polymer suspension

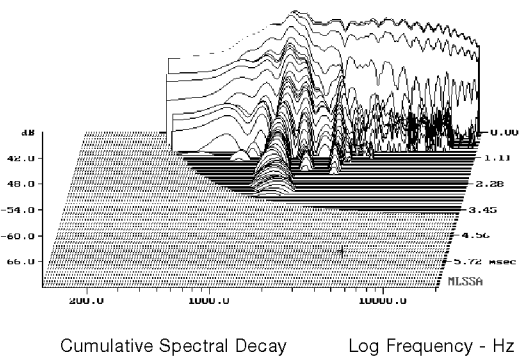


All dimensions in mm

Response Curve



Waterfall



SPECIFICATIONS

Technical characteristics	Symbol	Value	Units
PRIMARY APPLICATION			
Nominal Impedance	Z	8	Ω
Resonance Frequency	Fs	1733,88	Hz
Nominal Power Handling	P	40	W
Sensitivity (2,83 V - 1m)	E	91	dB
VOICE COIL			
Voice Coil Diameter	φ	20	mm
Minimum Impedance	Zmin	5,3	Ω
DC Resistance	Dcr	4,87	Ω
Voice Coil Inductance	Lbm	0,03	mH
Voice Coil Length	h	1,7	mm
Former	-	Aluminium	-
Number of Layers	n	2	-
Wire type	-	round	-
Wire material	-	Aluminium	-

MAGNET

Magnet Dimensions	φ x h	20 x 4	mm
Magnet Weight	m	8,9	g
Flux Density	B	1	T
Force Factor	BL	-	NA ⁻¹
Height of Magnetic Gap	He	0,2	mm
Stray Flux	Fmag	-	Am ⁻¹
Linear Excursion	Xmax	± 0,15	mm

PARAMETERS

Suspension Compliance	Cms	-	μm/N
Mechanical Q Factor	Qms	3,15	-
Electrical Q Factor	Qes	4,39	-
Total Q Factor	Qts	1,83	-
Mechanical Resistance	Rms	-	kg s ⁻¹
Moving Mass	Mms	-	g
Effective Piston Area	S	3,14	cm ²
Volume Equivalent of Air at Cas	Vas	-	liters
Mass of Speaker	M	47	g

Suggested Application

Crossover Frequency	Slope	Inductance	Capacitor	Power Handling
Hz	dB / Oct.	mH	μF	W
4250	6	-	6,8	40
2380	12	0,8	5,6	40