

VSC* system processor IC

BA1701

The BA1701 is a monolithic audio-compression system controller IC that uses VSC*. When used in combination with an analog delay circuit and low-pass filter, it can replay recorded audio at 1 to 2.5 times the recording speed, without altering the pitch.

●Applications

Audio compression systems for tape-based answering machines and learning aids

●Features

- 1) Wide operating voltage range (4.5V to 14V).
- 2) Built-in two-phase sweep oscillator that can directly drive BBD.
- 3) Built-in motor controller is synchronized with the audio compression ratio.
- 4) Built-in voltage regulator.

●Absolute maximum ratings (Ta = 25°C)

Parameter	Symbol	Limits	Unit
Supply voltage	V _{CC}	14	V
Power dissipation	P _d	640*	mW
Operating temperature	T _{opr}	0~55	°C
Storage temperature	T _{stg}	-55~125	°C

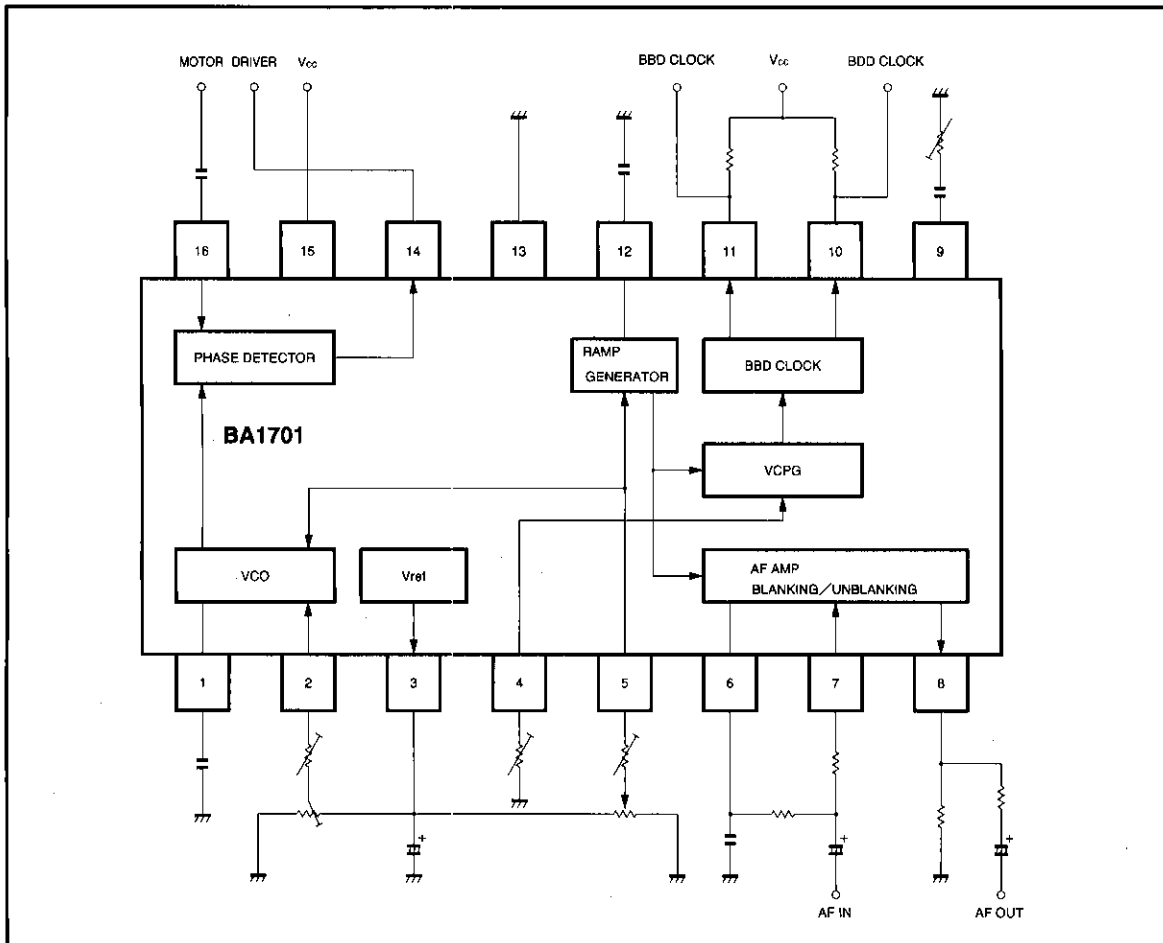
* Reduced by 6.4mW for each increase in Ta of 1°C over 25°C.

●Recommended operating conditions (Ta = 25°C)

Parameter	Symbol	Min.	Typ.	Max.	Unit
Supply voltage	V _{CC}	4.5	6	14	V

* VSC is a trademark of The Variable Speech Control Company. This product is manufactured under licence from VSC Ltd. for use in VSC systems.

● Block diagram



● Electrical characteristics (Unless otherwise specified, $T_a = 25^\circ\text{C}$ and $V_{CC} = 6\text{V}$, $f = 1\text{kHz}$, and $V_{IN} = 1.5\text{V}_{PP}$)

Parameter	Symbol	Min.	Typ.	Max.	Unit	Conditions	Measurement Circuit
Quiescent current	I_Q	6	11	17	mA	RATE=1X	Fig.1
Internal reference power supply voltage	V_{REF}	2.1	2.5	2.8	V	$I_{OUT}=3\text{mA}$	Fig.1
Buffer amplifier gain	G_V	-1	0	1	dB	$V_{IN}=1.5\text{V}_{PP}$, $f_{IN}=1\text{kHz}$	Fig.1
Buffer amplifier distortion	T_{HD}	-	0.2	1	%	$V_{IN}=1.5\text{V}_{PP}$, $f_{IN}=1\text{kHz}$	Fig.1
Max. input level	V_{MAX}	2	-	-	V_{P-P}	$T_{HD}=1\%$, $f_{IN}=1\text{kHz}$	Fig.1
Blanking period	T_B	1	2.5	4	ms	RATE=2.5X	Fig.1
Pin 14 "high" voltage	V_H	1.7	2.0	2.25	V	-	Fig.1
Pin 14 "medium" voltage	V_M	0.9	1.25	1.4	V	-	Fig.1
Pin 14 "low" voltage	V_L	-	0.2	0.5	V	-	Fig.1

● Measurement circuit

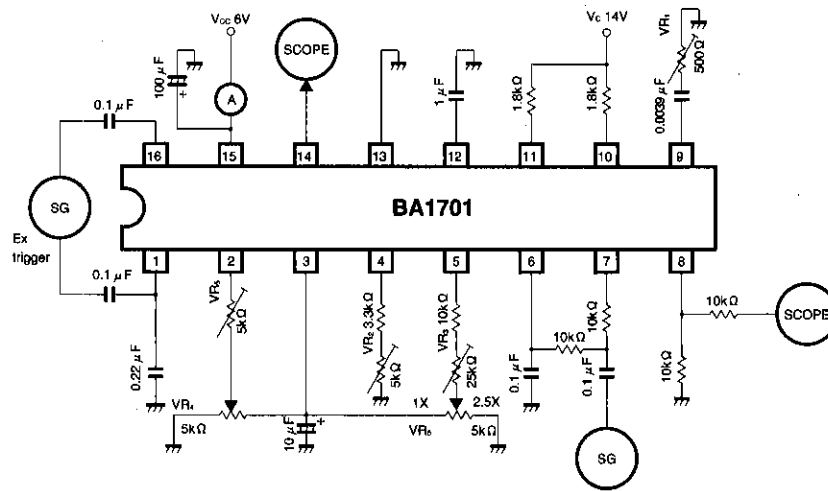


Fig. 1

VSC processor

Audio accessory components

●Application example

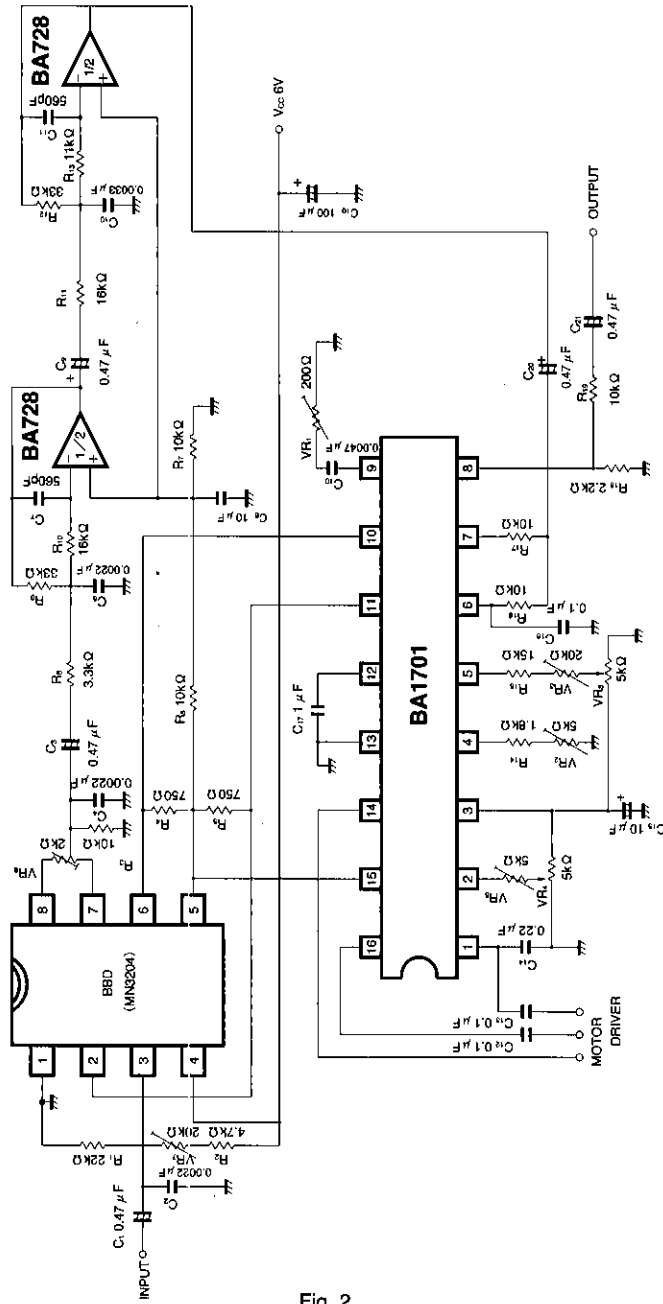


Fig. 2

● Circuit operation

(1) System construction

The BA1701 is a monolithic audio-compression system controller IC that uses VSC. When used in combination with an analog delay circuit, low-pass filter, and tape speed controller, it can replay recorded audio at 1 to 2.5 times the recording speed, without alter-

ing the pitch (see Fig. 3).

The BA1701 has a built-in motor driver control circuit that is synchronized with the pitch control that allows the system to be built with just one pitch control potentiometer (see Fig. 4).

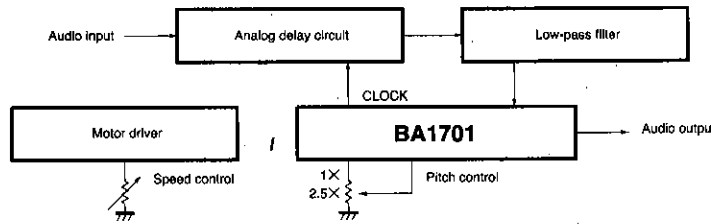


Fig. 3

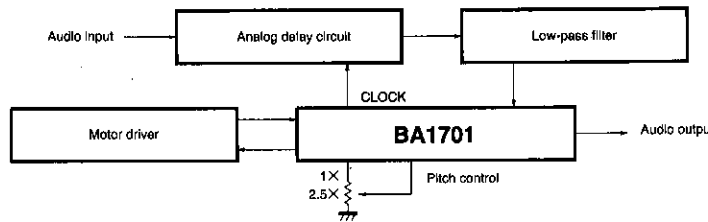


Fig. 4

(2) Principles of audio compression (see Fig. 5)

When recorded audio (A) is replayed at high speed, the pitch of the audio increases in proportion to the playback speed (B). By expanding this using an analog delay circuit, a compressed audio signal with the

same pitch as the original recorded signal is obtained (C). Partial audio dropout occurs when the audio is expanded, but due to the diffuse nature of speech, the expanded audio does not sound unnatural to the human ear.

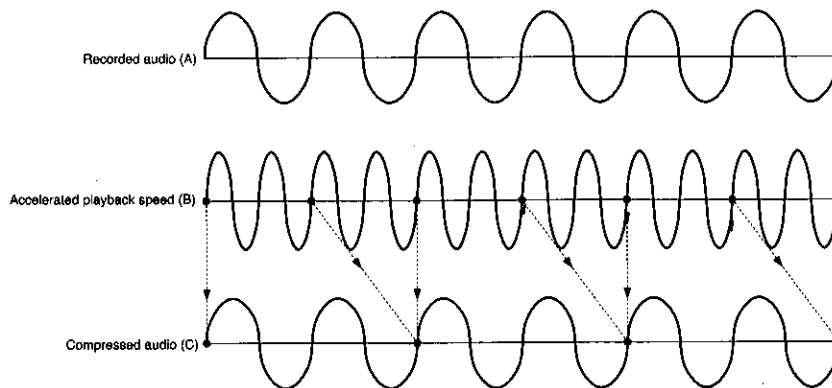


Fig. 5

VSC processor

Audio accessory components

●Application circuit PCB (solder sider)

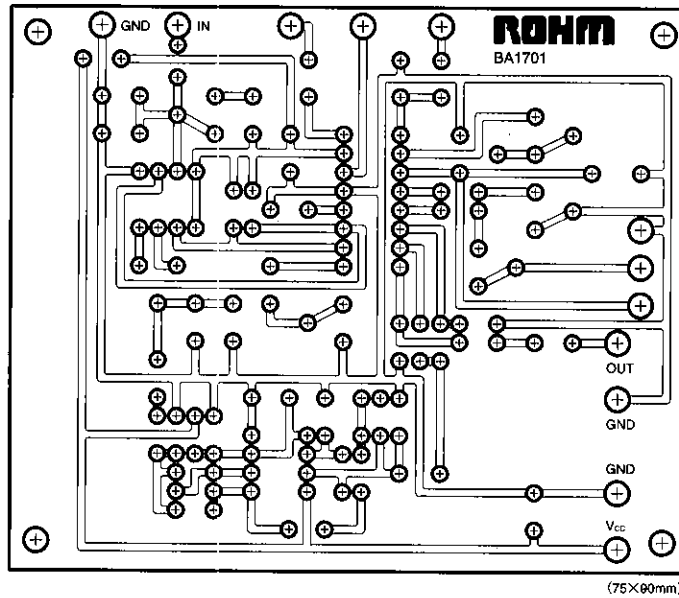


Fig. 6 Application circuit PCB (solder sider)

●Application circuit component layout (solder sider)

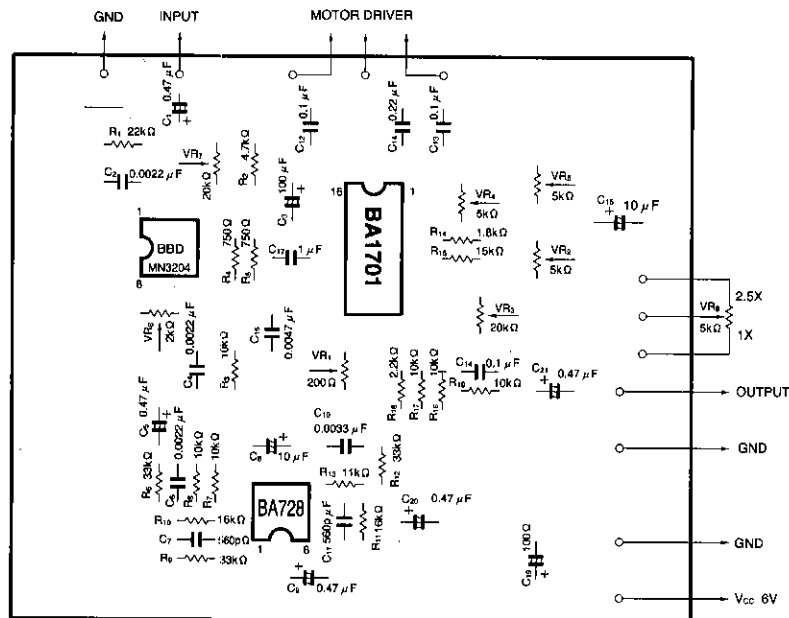


Fig. 7 Application circuit component layout (solder sider)

●Adjustment procedure

- (1) With Rate = 2.5X ($VR_6 = \text{GND}$), apply DC12mV to pin 12, and adjust VR_1 so that the frequency of the waveform on pin 11 is 300kHz.
- (2) With Rate = 2.5X, apply DC2.462mV to pin 12, and adjust VR_2 so that the frequency of the waveform on pin 11 is 12kHz.
- (3) Repeat adjustments (1) and (2).
- (4) With Rate = 2.5X, adjust VR_3 so that the period of the waveform on pin 12 is 19ms.
- (5) With Rate = 1X, ($VR_6 = V_{\text{ref}}$), adjust VR_4 so that the frequency at pin 1 is 300Hz.
- (6) With Rate = 2.5X, ($VR_6 = V_{\text{ref}}$), adjust VR_5 so that the frequency at pin 1 is 750Hz.
- (7) With Rate = 1X, input $V_{\text{IN}} = 500\text{mV}$ and $f_{\text{IN}} = 2.5\text{kHz}$, and adjust VR_7 and VR_8 so that the output distortion is minimized.

* If you are not using the motor drive control circuit, adjustments (5) and (6) are not necessary.

●Operation notes

- (1) Use accurate film capacitors for the VCO time constant capacitor C_{14} ($0.22 \mu\text{F}$), the RAMP time constant capacitor C_{17} ($1 \mu\text{F}$), and the BBD clock time constant capacitor ($0.0047 \mu\text{F}$).
- (2) If the AF output pin (pin 8) has a capacitive load, you must take precautions to ensure that the BA1701 AF amplifier does not oscillate. We recommend that you insert R_{19} (about $10\text{k}\Omega$) in the signal output line.
- (3) To prevent oscillation, position the earth point of the BBD clock time constant pin (pin 9) close to the GND pin (pin 13) (see Fig. 6).

●Electrical characteristic curves

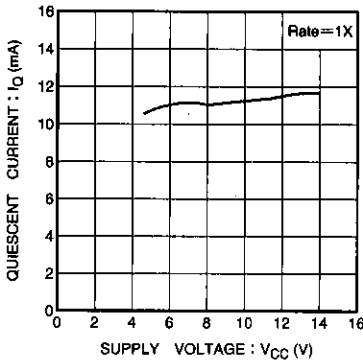


Fig. 8 Quiescent current vs. supply voltage

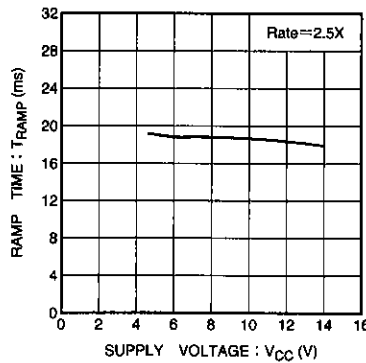


Fig. 9 RAMP period vs. supply voltage

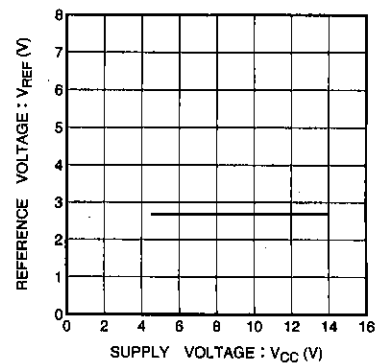


Fig. 10 Reference voltage vs. supply voltage

Audio accessory components VSC processor

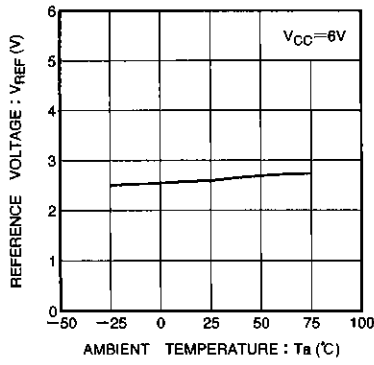


Fig. 11 Reference voltage vs. ambient temperature

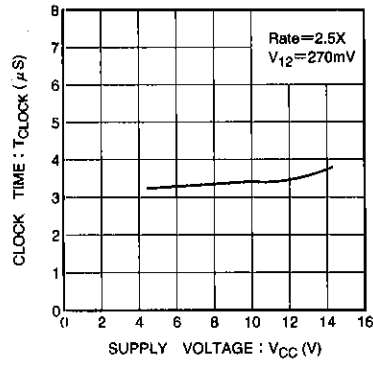


Fig. 12 Clock period vs. supply voltage (1)

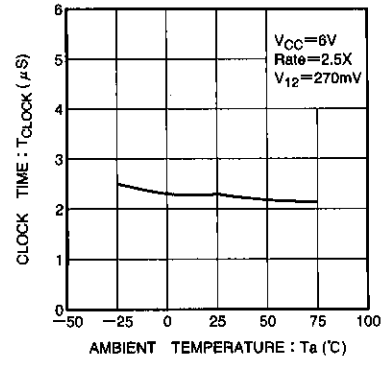


Fig. 13 Clock period vs. ambient temperature (1)

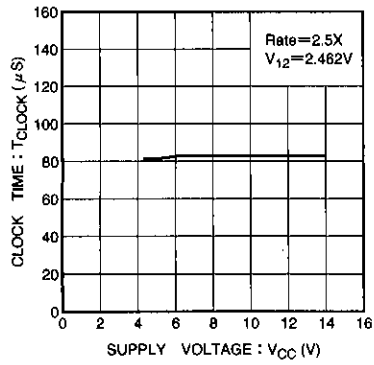


Fig. 14 Clock period vs. supply voltage (2)

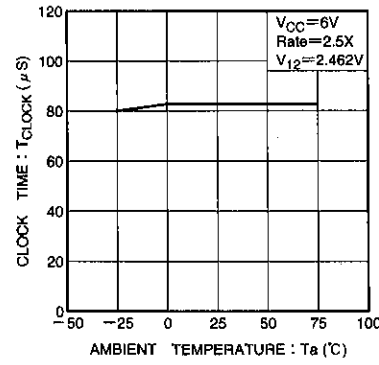


Fig. 15 Clock period vs. ambient temperature (2)

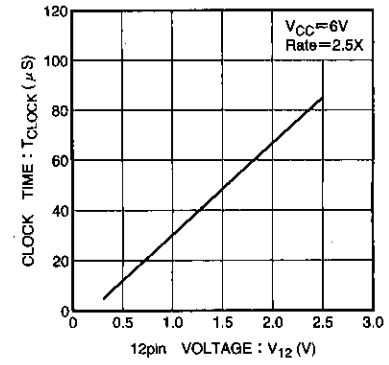


Fig. 16 Clock period vs. pin 12 voltage

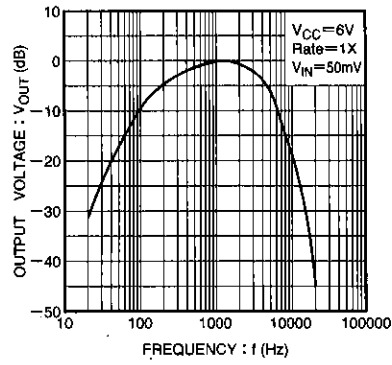
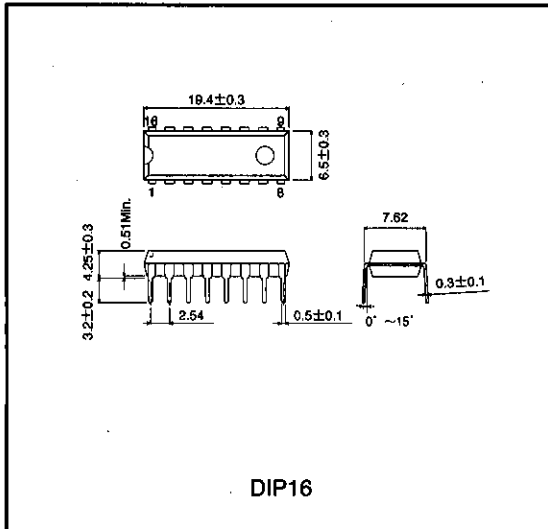


Fig. 17 Output voltage vs. signal frequency

●External dimensions (Unit: mm)



VSC processor

Audio accessory components

Notes

- The contents described in this catalogue are correct as of March 1997.
- No unauthorized transmission or reproduction of this book, either in whole or in part, is permitted.
- The contents of this book are subject to change without notice. Always verify before use that the contents are the latest specifications. If, by any chance, a defect should arise in the equipment as a result of use without verification of the specifications, ROHM CO., LTD., can bear no responsibility whatsoever.
- Application circuit diagrams and circuit constants contained in this data book are shown as examples of standard use and operation. When designing for mass production, please pay careful attention to peripheral conditions.
- Any and all data, including, but not limited to application circuit diagrams, information, and various data, described in this catalogue are intended only as illustrations of such devices and not as the specifications for such devices. ROHM CO., LTD., disclaims any warranty that any use of such device shall be free from infringement of any third party's intellectual property rights or other proprietary rights, and further, assumes absolutely no liability in the event of any such infringement, or arising from or connected with or related to the use of such devices.
- Upon the sale of any such devices; other than for the buyer's right to use such devices itself, resell or otherwise dispose of the same; no express or implied right or license to practice or commercially exploit any intellectual property rights or other proprietary rights owned or controlled by ROHM CO., LTD., is granted to any such buyer.
- The products in this manual are manufactured with silicon as the main material.
- The products in this manual are not of radiation resistant design.

The products listed in this catalogue are designed to be used with ordinary electronic equipment or devices (such as audio-visual equipment, office-automation equipment, communications devices, electrical appliances, and electronic toys). Should you intend to use these products with equipment or devices which require an extremely high level of reliability and the malfunction of which would directly endanger human life (such as medical instruments, transportation equipment, aerospace machinery, nuclear-reactor controllers, fuel controllers, or other safety devices) please be sure to consult with our sales representatives in advance.

- Notes when exporting
 - It is essential to obtain export permission when exporting any of the above products when it falls under the category of strategic material (or labor) as determined by foreign exchange or foreign trade control laws.
 - Please be sure to consult with our sales representatives to ascertain whether any product is classified as a strategic material.