

# Dual preamplifier with ALC detector circuit

## BA3313L

The BA3313L is dual preamplifier ICs with built-in ALC detector circuit, designed for use in stereo radio cassette recorders. It comes in a compact 12-pin ZIP package, and has two record/playback preamplifiers, and an ALC detector circuit. The preamplifiers can be directly coupled to the tape head without coupling capacitors to prevent tape head magnetization and "pop" noise generation.

With the built-in ALC detector circuit, an ALC circuit with large dynamic range can be constructed with addition of just an external time constant circuit.

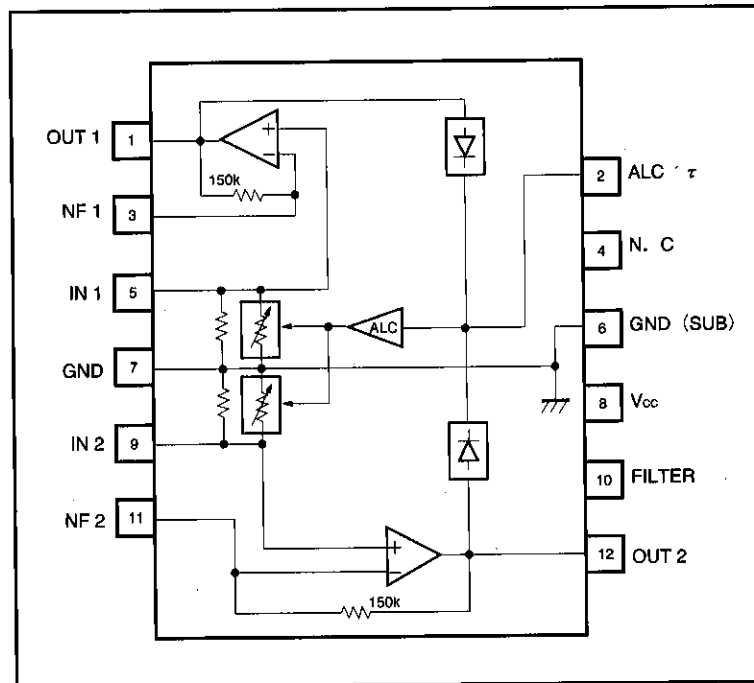
### ●Applications

Stereo radio cassette recorders

### ●Features

- 1) Input bias circuit does not require coupling capacitors.
- 2) Built-in ALC circuit with external time constant circuit.
- 3) Wide operating supply voltage range.
- 4) High gain.
- 5) Low noise.

### ●Block diagram



## ● Absolute maximum ratings (Ta = 25°C)

Parameter	Symbol	Limits	Unit
Supply voltage	Vcc	14	V
Power dissipation	Pd	400*	mW
Operating temperature	Topr	-25~75	°C
Storage temperature	Tstg	-55~125	°C

\* Reduced by 4.0mW for each increase in Ta of 1°C over 25°C

## ● Recommended operating conditions (Ta = 25°C)

Parameter	Symbol	Min.	Typ.	Max.	Unit
Supply voltage	Vcc	5.0	8.0	12.0	V

## ● Electrical characteristics (unless otherwise specified Ta = 25°C, Vcc = 8V and f = 1kHz)

Parameter	Symbol	Min.	Typ.	Max.	Unit	Conditions
Quiescent circuit current	I <sub>Q</sub>	1.5	3.0	6.0	mA	
Open-circuit voltage gain	G <sub>VO</sub>	70	85	—	dB	V <sub>O</sub> =1Vrms
Closed-circuit voltage gain	G <sub>VC</sub>	49	52	55	dB	V <sub>O</sub> =0.3Vrms
Total harmonic distortion	THD 1	—	0.3	1.0	%	V <sub>O</sub> =0.3Vrms
Maximum output voltage	V <sub>OM</sub>	1.5	2.0	—	Vrms	THD=1%
Input conversion-noise voltage	V <sub>NIN</sub>	—	1.0	1.8	μVrms	R <sub>g</sub> =2.2kΩ, DIN AUDIO 45dB at 1kHz NAB
Input resistance	R <sub>IN</sub>	35	51	71	kΩ	
Channel separation	CS	40	55	—	dB	R <sub>g</sub> =2.2kΩ
ALC range *	ALC	40	53	—	dB	
ALC balance	ALB	—	0	3.0	dB	V <sub>IN</sub> =-45dBV
ALC distortion	THD 2	—	0.3	1.0	%	V <sub>IN</sub> =-45dBV
ALC output voltage	V <sub>ALC</sub>	700	850	1000	mVrms	V <sub>IN</sub> =-45dBV

\* The range for which the ALC begins to operate is the output voltage + 3dB with respect to the output voltage.

● Measurement circuit

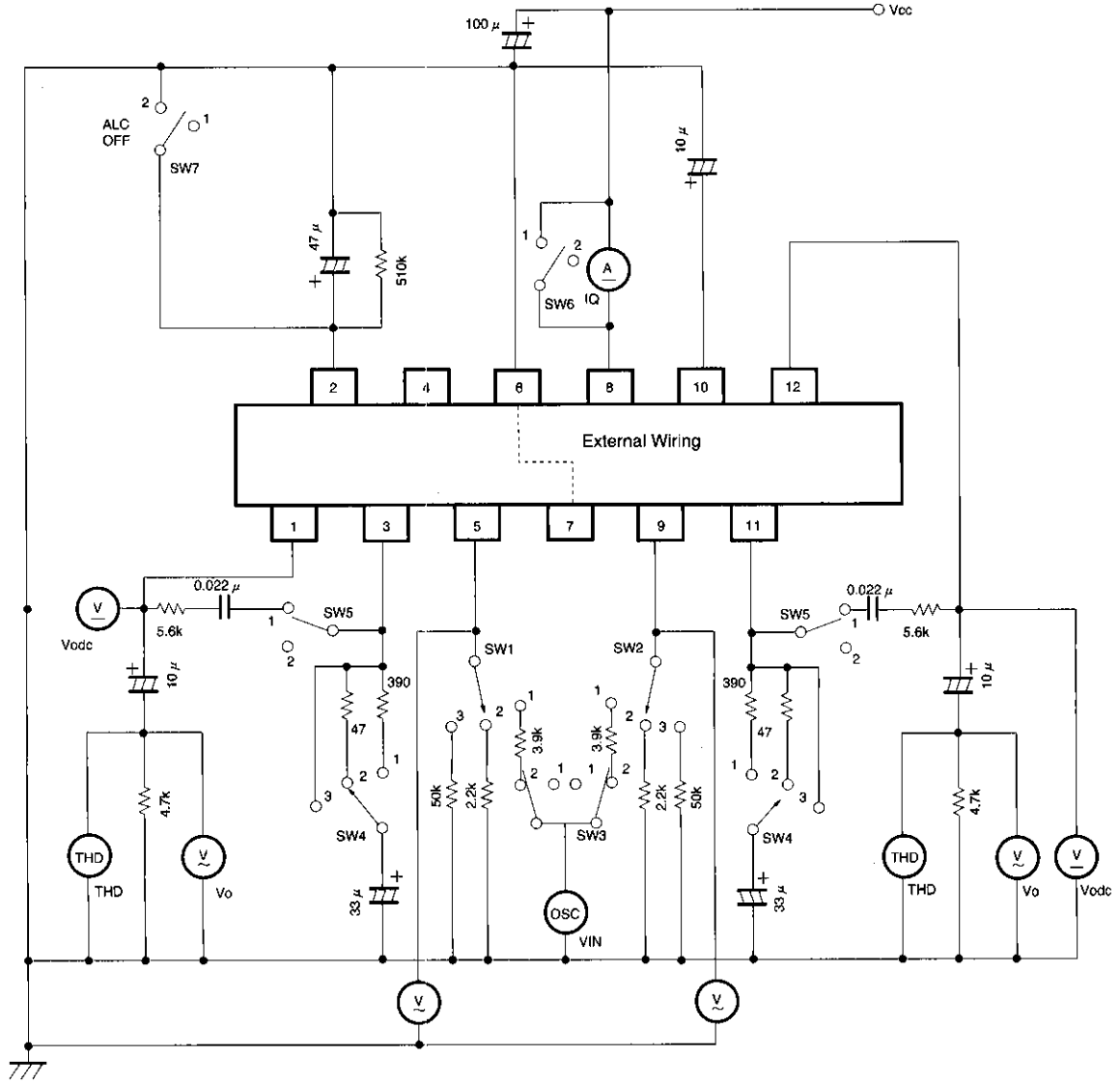


Fig. 1

Units

- Resistance : Ω (±1%)
- Film capacitors : F (±1%)
- Electrolytic capacitors : F (±5%)

●Application example

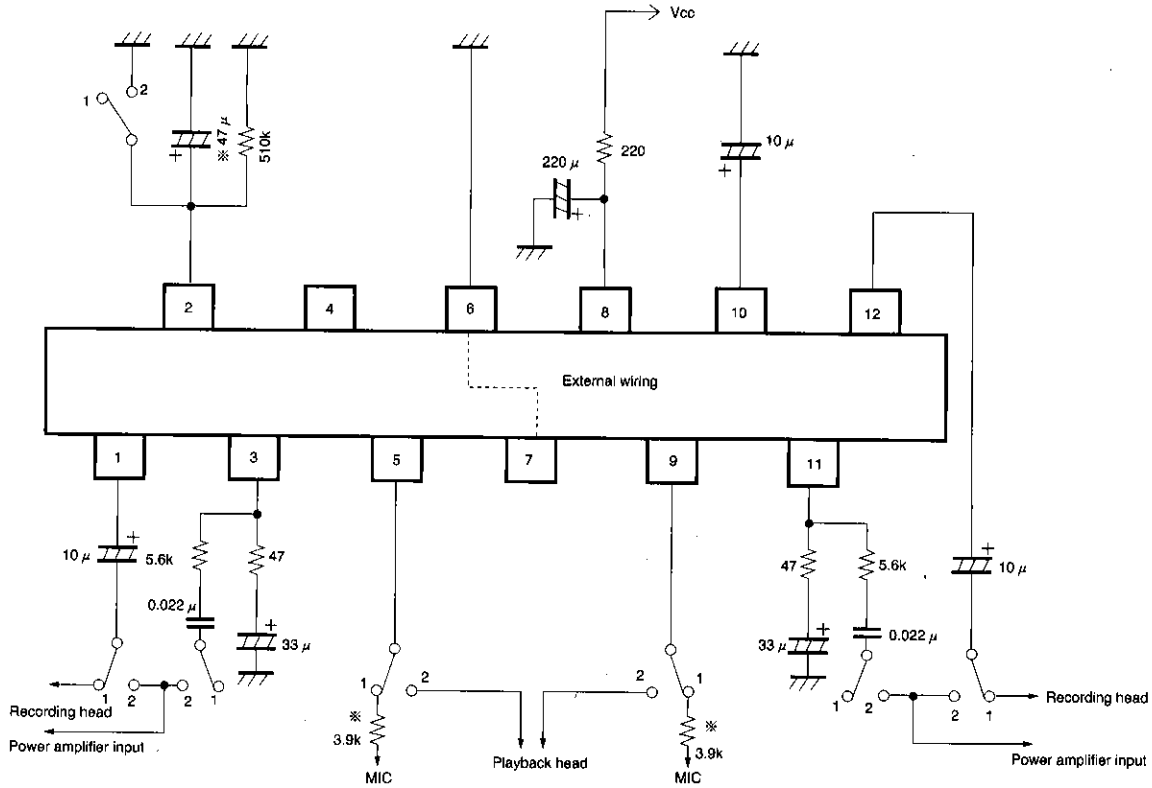


Fig. 2

SW

1: Recording

2: Playback

Unit

Resistance : Ω (±5%)

Film capacitors : F (±10%)

Electrolytic capacitors : F (±20%)

●Operation notes (the resistor marked with an asterisk)  
 Changing the input resistor R<sub>g</sub>, and the ALC time constant influences the ALC transient characteristics. In particular, if R<sub>g</sub> is less than 3.9k Ω or the time

constant capacitor is less than 47 µF, the ALC may operate excessively. Do not use smaller values than those recommended for these components.

Preamplifiers

Low-frequency amplifiers

● Electrical characteristics curves

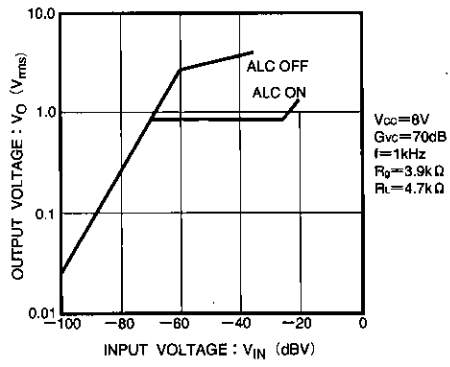
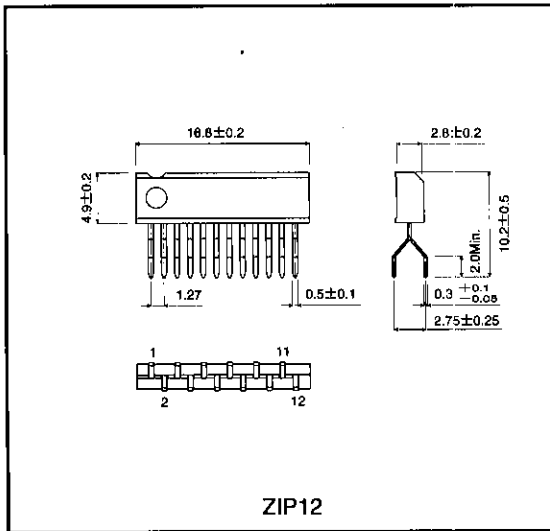


Fig. 3 Input voltage vs. output voltage

● External dimensions (Unit: mm)



## Notes

- The contents described in this catalogue are correct as of March 1997.
- No unauthorized transmission or reproduction of this book, either in whole or in part, is permitted.
- The contents of this book are subject to change without notice. Always verify before use that the contents are the latest specifications. If, by any chance, a defect should arise in the equipment as a result of use without verification of the specifications, ROHM CO., LTD., can bear no responsibility whatsoever.
- Application circuit diagrams and circuit constants contained in this data book are shown as examples of standard use and operation. When designing for mass production, please pay careful attention to peripheral conditions.
- Any and all data, including, but not limited to application circuit diagrams, information, and various data, described in this catalogue are intended only as illustrations of such devices and not as the specifications for such devices. ROHM CO., LTD., disclaims any warranty that any use of such device shall be free from infringement of any third party's intellectual property rights or other proprietary rights, and further, assumes absolutely no liability in the event of any such infringement, or arising from or connected with or related to the use of such devices.
- Upon the sale of any such devices; other than for the buyer's right to use such devices itself, resell or otherwise dispose of the same; no express or implied right or license to practice or commercially exploit any intellectual property rights or other proprietary rights owned or controlled by ROHM CO., LTD., is granted to any such buyer.
- The products in this manual are manufactured with silicon as the main material.
- The products in this manual are not of radiation resistant design.

The products listed in this catalogue are designed to be used with ordinary electronic equipment or devices (such as audio-visual equipment, office-automation equipment, communications devices, electrical appliances, and electronic toys). Should you intend to use these products with equipment or devices which require an extremely high level of reliability and the malfunction of which would directly endanger human life (such as medical instruments, transportation equipment, aerospace machinery, nuclear-reactor controllers, fuel controllers, or other safety devices) please be sure to consult with our sales representatives in advance.

- Notes when exporting
  - It is essential to obtain export permission when exporting any of the above products when it falls under the category of strategic material (or labor) as determined by foreign exchange or foreign trade control laws.
  - Please be sure to consult with our sales representatives to ascertain whether any product is classified as a strategic material.