

High-definition sound processor

BA3880S

The BA3880S is a sound processor IC that performs phase and harmonic compensation on audio signals to accurately reproduce the "rise" section of audio signals that determines the characteristics of the sound, and thus reproduce the original recording as naturally as possible.

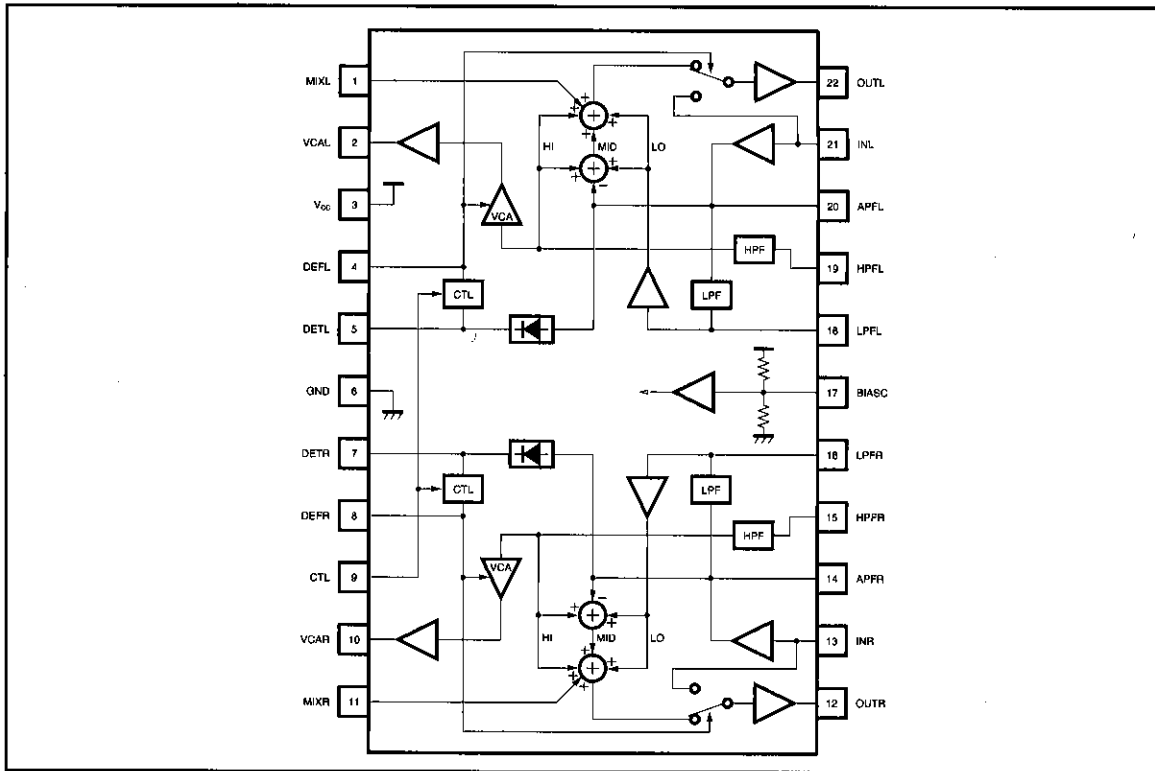
●Applications

Component stereo systems, radio cassette players, car stereo systems, televisions, VCRs, and active speakers.

●Features

- 1) Corrects distortion in the rising section of audio signals that results from miss-matched speakers and amplifiers, and reproduces the original sound faithfully.
- 2) To allow application with all types of speakers and sources, the clarity can be adjusted using DC control.
- 3) DC control provided for selection of either processor mode or bypass mode.
- 4) Bass boost fixed internally to 4dB.

●Block diagram



● Absolute maximum ratings (Ta = 25°C)

Parameter	Symbol	Limits	Unit
Supply voltage	V _{CC}	11	V
Power dissipation	P _d	1000 *	mW
Operating temperature	T _{opr}	-40~+85	°C
Storage temperature	T _{stg}	-55~+125	°C

* Reduced by 10mW for each increase in Ta of 1°C over 25°C.

● Recommended operating conditions

Parameter	Symbol	Limits	Unit
Supply voltage	V _{CC}	5.4~10.8	V

● Electrical characteristics (unless otherwise specified Ta = 25°C, V_{CC} = 9V, f_{IN} = 1kHz, V_{IN} = 200mVrms, R_g = 600Ω, R_L = 100kΩ and V_{CTL} = 4.5V)

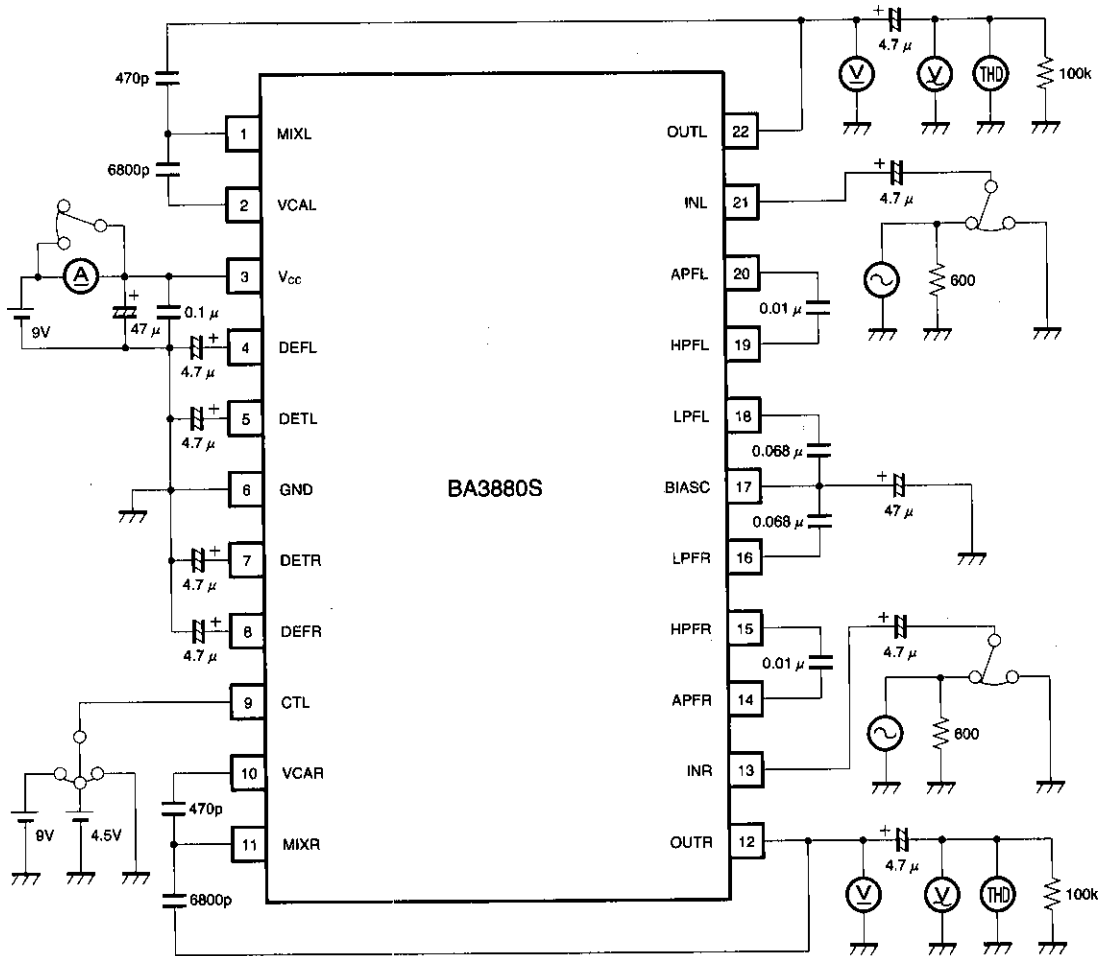
Parameter	Symbol	Min.	Typ.	Max.	Unit	Conditions
Circuit current	I _{CC}	4.2	6.2	9.3	mA	V _{IN} =0Vrms
Voltage gain 1	Gv1	-2.0	0	2.0	dB	V _{CTL} =9V
Voltage gain 2	Gv2	-2.5	-0.5	1.5	dB	
Voltage gain 3	Gv3	-1.0	1.0	3.0	dB	f _{IN} =10kHz
Voltage gain 4	Gv4	9.0	11.0	13.0	dB	f _{IN} =10kHz, V _{CTL} =0V
Voltage gain 5	Gv5	—	4.0	—	dB	f _{IN} =50Hz
Channel balance	CB	-2.0	0	2.0	dB	f _{IN} =10kHz, V _{CTL} =0V
Maximum output voltage	V _{OM}	2.0	2.3	—	Vrms	THD=1%
Output noise voltage 1	V _{NO1}	—	2	10	μVrms	R _g =0Ω, DIN AUDIO, V _{CTL} =9V
Output noise voltage 2	V _{NO2}	—	16	70	μVrms	R _g =0Ω, DIN AUDIO
Total harmonic distortion 1	THD1	—	0.005	0.05	%	400Hz~30kHz BPF, V _{CTL} =9V
Total harmonic distortion 2	THD2	—	0.04	0.4	%	400Hz~30kHz BPF
Channel separation	CS	—	-67	-60	dB	V _{IN} =1Vrms
Ripple rejection ratio	RR	60	68	—	dB	R _g =0Ω, f _R =100Hz, V _R =100mVrms

*Note When V_{CTL} = 9V, the IC is in bypass mode.

When V_{CTL} = 4.5V, the IC is in processor mode (enhance) with minimum definition level.

When V_{CTL} = 0V, the IC is in processor mode (enhance) with maximum definition level.

● Measurement circuit



(Unit) R : Ω
C : F

Fig. 1

●Circuit operation

The BA3880S high-definition sound processor system IC treats the amplifier and speakers as a total audio system, and performs signal processing at the amplifier input stage to accurately reproduce the rise sections of audio signals that determine the characteristics of sound, and ensure that the replayed audio is as close to the original sound and as natural sounding as possible.

Problems relating to playback of sound on audio systems.

With naturally-generated sound, high-frequency harmonic components generally occur first, followed by the fundamental frequency components. This also applies to the attack section of the sound that characterizes many musical instruments. It is the amplitude component that gives form to the frequency component and envelope at the rising point of sound, and this expresses the characteristics of the sound. Therefore, when replaying audio on audio playback systems,

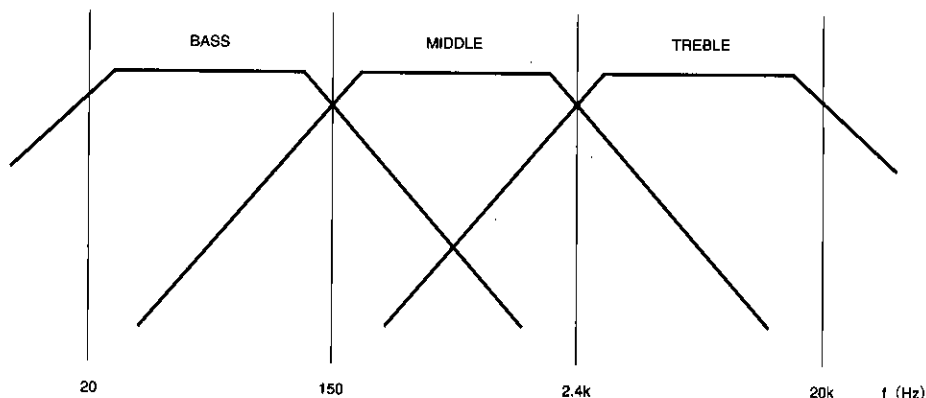
it is extremely important that the rise section of the signal be expressed accurately with respect to the original sound.

However, there is inevitable mismatching between the speakers and amplifiers in current audio systems. Solid-state power amplifiers use negative feedback techniques and operate off a fixed voltage supply, but as speakers are a current element, mismatching in the system inevitably occurs. In addition, the speaker impedance characteristics are strongly influenced by the electrical reactance of the voice coil, and the mechanical reactance of the cone assembly. As a result of this, distortion is generated in the rising sections of audio signals, causing phase shift in the reproduced sound. In addition, impedance increases in the treble region which reduces the speaker amplitude and reduces the harmonic component, and as a result there is a tendency to masking of large mid-frequency signal components that follow, and this makes it difficult to reproduce the rising sections of the sound.

●Operating principle

To solve the problems described above, the BA3880S performs the audio signal processing described below.

Phase shift compensation



High-definition processor (BBE)

Audio accessory components

The input signal is separated into three regions : bass (20 Hz to 150 Hz), middle (150 Hz to 2.4kHz) and treble (2.4kHz to 20kHz). These regions are then joined again with the middle and treble regions phase shifted -180° and -360° respectively with respect to the bass signal. This phase shift adjusts the delay time characteristic for each band and minimizes the distortion of the rising section of the audio signal.

Amplitude compensation (harmonic compensation)

To maintain appropriate auditory balance for the treble region that is made up of harmonic components, a high-speed detector and high-performance VCA circuit are used for amplitude control of the treble component. The amount of compensation is determined from a calculation performed based on the DC level input to the CTL pin, and the DC level detected from the input signal. The internal control signal obtained from this calculation compensates the amplitude of the treble component input to the VCA. This amplitude compensation recovers the harmonic component, and improves the reproduction clarity (definition level) of instruments and vocals.

Bass boost

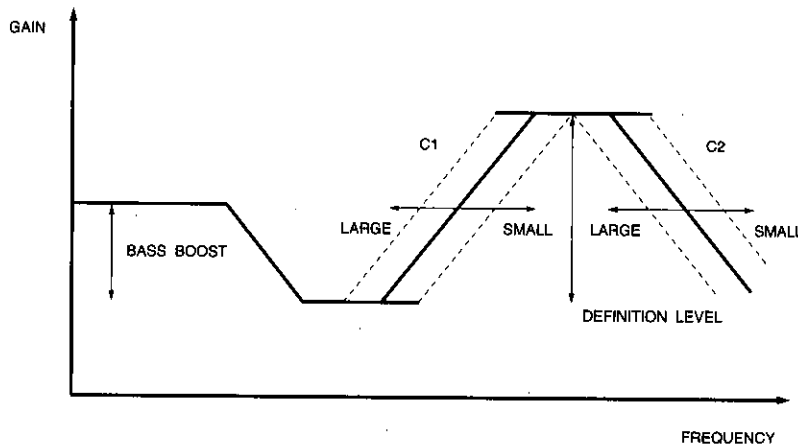
To maintain good balance with the dynamically changing treble component, the bass component is boosted. The bass boost is fixed at 4dB (typ.) internally, and cannot be adjusted.

Mode switch

The DC voltage on the CTL pin can be used to switch the IC between processing mode and bypass mode. When processing mode is selected, the audio signal is enhanced using the compensation circuits described above before being output. When bypass mode is selected, the signal bypasses all of the compensation circuits, and only passes through a buffer amplifier before output.

External components

The frequency characteristic in processing mode with maximum definition level is given below.



- C1: External capacitor connected between the VCA and MIX pins (6800pF in the application circuit).
- C2: External capacitor connected between the OUT and MIX pins (470pF in the application circuit).

As indicated in the diagram, capacitors C1 and C2 determine the treble component cutoff frequency. By varying the values of these components, the frequency characteristic can be changed as indicated by the dotted line in the diagram. This varies the balance of the harmonic component, and is an important factor in determining the tone quality.

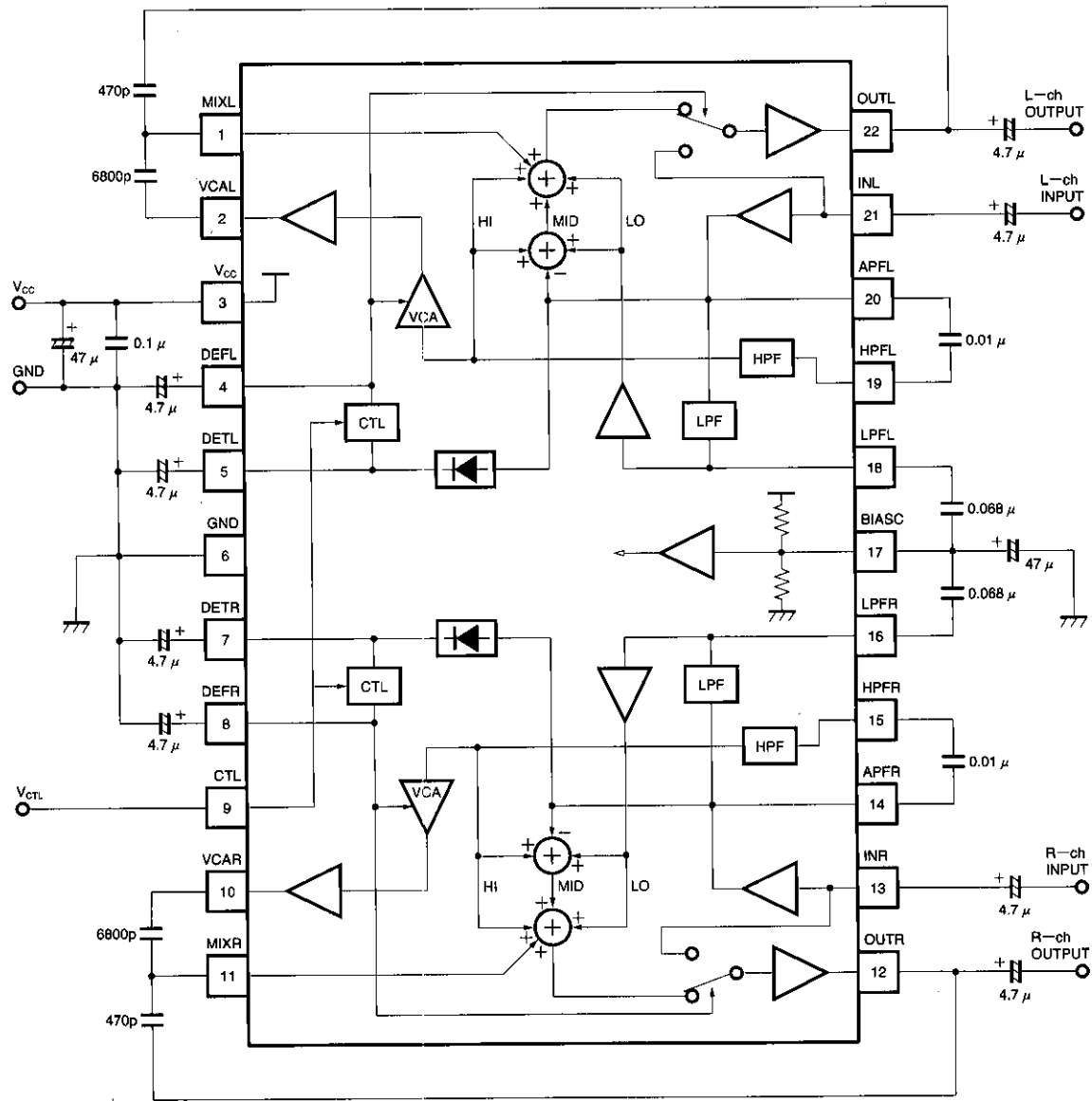
Control table

Item	Threshold level	Mode setting	Definition level
V _{CTL}	V _{CC}	Recommended setting range for bypass mode 0.7 × V _{CC}	
	0.6 × V _{CC}		
	0.5 × V _{CC}	Min. (1dB Typ.)	
	0V (GND)	Recommended setting range for processor mode	Max. (11dB Typ.)

High-definition processor (BBE)

Audio accessory components

● Application example



(Unit) R : Ω
C : F

Fig. 2

●Operation notes

(1) The level of the DC voltage applied to the control pin should be in the range 0V to V_{CC} . Appropriate switching may not be possible in the region of the threshold voltage. Allow sufficient margin when setting this voltage.

(2) Provided the IC is operated within the operating temperature range and within the recommended operating conditions, the general circuit functions are guaranteed to operate correctly, and there will not be significant changes in the electrical characteristics.

(3) Application example circuit
 Provided the circuit constants in the application exam-

ple circuit are used, the application circuit should function correctly. However, we recommend that you confirm the characteristics of the circuit in actual use, and take note of the cautionary items described above. If you change the circuit constants, check both the static and transient characteristics of the circuit, and allow sufficient margin to accommodate variations in both the IC and the external components.

(4) License
 This IC is manufactured under license from BBE Sound Inc. (U.S.A.). A license agreement with BBE Sound Inc. is required to use this component.

●Electrical characteristics curves

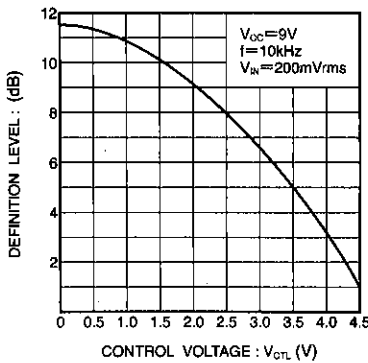


Fig. 3 Definition level vs. control voltage

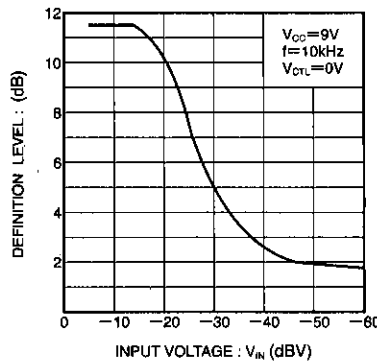
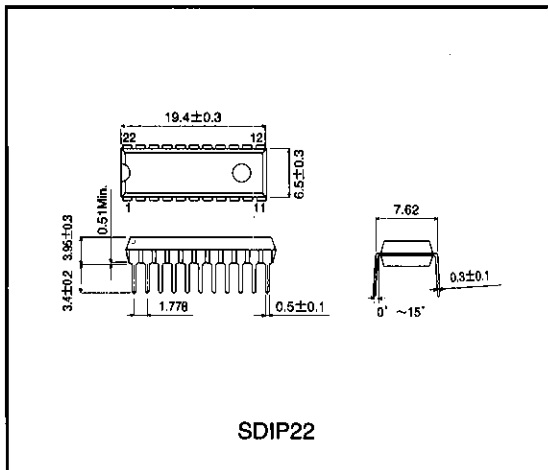


Fig. 4 Definition level vs. input voltage

●External dimensions (Unit: mm)



SDIP22

High-definition processor (BBE)

Audio accessory components

Notes

- The contents described in this catalogue are correct as of March 1997.
- No unauthorized transmission or reproduction of this book, either in whole or in part, is permitted.
- The contents of this book are subject to change without notice. Always verify before use that the contents are the latest specifications. If, by any chance, a defect should arise in the equipment as a result of use without verification of the specifications, ROHM CO., LTD., can bear no responsibility whatsoever.
- Application circuit diagrams and circuit constants contained in this data book are shown as examples of standard use and operation. When designing for mass production, please pay careful attention to peripheral conditions.
- Any and all data, including, but not limited to application circuit diagrams, information, and various data, described in this catalogue are intended only as illustrations of such devices and not as the specifications for such devices. ROHM CO., LTD., disclaims any warranty that any use of such device shall be free from infringement of any third party's intellectual property rights or other proprietary rights, and further, assumes absolutely no liability in the event of any such infringement, or arising from or connected with or related to the use of such devices.
- Upon the sale of any such devices; other than for the buyer's right to use such devices itself, resell or otherwise dispose of the same; no express or implied right or license to practice or commercially exploit any intellectual property rights or other proprietary rights owned or controlled by ROHM CO., LTD., is granted to any such buyer.
- The products in this manual are manufactured with silicon as the main material.
- The products in this manual are not of radiation resistant design.

The products listed in this catalogue are designed to be used with ordinary electronic equipment or devices (such as audio-visual equipment, office-automation equipment, communications devices, electrical appliances, and electronic toys). Should you intend to use these products with equipment or devices which require an extremely high level of reliability and the malfunction of which would directly endanger human life (such as medical instruments, transportation equipment, aerospace machinery, nuclear-reactor controllers, fuel controllers, or other safety devices) please be sure to consult with our sales representatives in advance.

- Notes when exporting
 - It is essential to obtain export permission when exporting any of the above products when it falls under the category of strategic material (or labor) as determined by foreign exchange or foreign trade control laws.
 - Please be sure to consult with our sales representatives to ascertain whether any product is classified as a strategic material.