

# Dual circuit, variable output voltage regulator

## BA3960

The BA3960 is a dual circuit, variable output, series regulator. PNP output transistors allow minimum voltage differential between input and output. Each of the two circuits can be turned on or off independently by using the system logic control. When both circuits are off, the IC keeps a standby state with no circuit current.

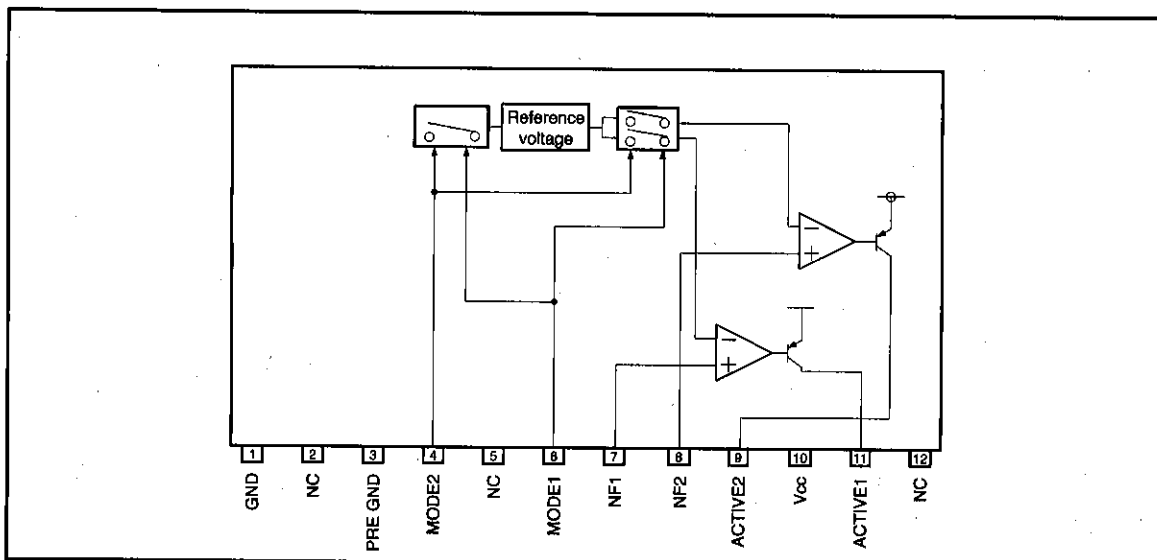
### ● Applications

Audio and video systems, CD and CD-ROM systems, computer peripheral devices, industrial equipment

### ● Features

- 1) Containing two circuits of variable-output series regulator.
- 2) PNP output transistor characterized by low saturation voltage.
- 3) Logic control allowing ON/OFF switching of output.
- 4) No circuit current when both circuits are off.
- 5) Output current limit circuit protects the IC against short-circuiting damage.
- 6) Compact HSIP-B12 package allows a large power dissipation.
- 7) Thermal protection circuit prevents heat damage to the IC.

### ● Block diagram



## ● Absolute maximum ratings (Ta=25°C)

Parameter	Symbol	Limits	Unit
Applied voltage	Vcc	23	V
Power dissipation	Pd	2200*	mW
Operating temperature	Topr	-25~75	°C
Storage temperature	Tstg	-55~150	°C

\* Value for one unit; deduct 17.5 mW when using at Ta > 25°C.

## ● Recommended operating conditions

Parameter	Symbol	Voltage range	Unit
Input voltage	Vcc	4.5~22.0*1	V
Output voltage	Vout	1.5~21.0	V

\* 1 Basic operation should be functional at Ta = 25°C.

## ● Electrical characteristics

(Unless otherwise noted, Ta=25°C, Vcc=12.0V, ACTIVE 1 : Io=640mA, ACTIVE 2 : Io=400mA, and R12, R22=3.9kΩ)

Parameter	Symbol	Min.	Typ.	Max.	Unit	Conditions
Standby circuit current	Ist	—	0	10	μA	MODE 1, 2 pin = 0 V
NF1 reference voltage	VNF1	1.21	1.26	1.31	V	Io1=0mA
Voltage variation	ΔVo1-1	—	20	50	mV	Vcc=(Vo+1V)~20V
Load variation	ΔVo1-2	—	10	50	mV	Io1=0mA~640mA
NF2 reference voltage	VNF2	1.21	1.26	1.31	V	Io2=0mA
Voltage variation	ΔVo2-1	—	20	50	mV	Vcc=(Vo+1V)~20V
Load variation	ΔVo2-2	—	10	50	mV	Io2=0mA~400mA
( ACTIVE1 )						
Minimum I/O voltage differential *1	ΔVo3-1	—	0.5	1.0	V	Vcc= ACTIVE 1 output voltage
Output current capacity	Io1	800	1200	—	mA	
Ripple rejection ratio	R. R1	50	60	—	dB	f=100Hz VRR=-10dBV
( ACTIVE2 )						
Minimum I/O voltage differential *1	ΔVo3-2	—	0.5	1.0	V	Vcc= ACTIVE 2 output voltage
Output current capacity A	Io2-A	700	900	—	mA	Vcc>8V
Output current capacity B	Io2-B	500	—	—	mA	Vcc≤8V
Ripple rejection ratio	R. R2	50	60	—	dB	f=100Hz VRR=-10dBV
MODE SW						
Voltage when MODE 1 is ON	Vm1 ON	2.5	—	—	V	ACTIVE 1 HIGH switching voltage
Voltage when MODE 1 is OFF	Vm1 OFF	—	—	0.5	V	ACTIVE 1 LOW switching voltage
Voltage when MODE 2 is ON	Vm2 ON	2.5	—	—	V	ACTIVE 2 HIGH switching voltage
Voltage when MODE 2 is OFF	Vm2 OFF	—	—	0.5	V	ACTIVE 2 LOW switching voltage
Input current when HIGH (MODE 1, 2)	IHI, 2	—	150	200	μA	MODE1, 2=5V

© Not designed to be radiation tolerant.

\* 1 Minimum I/O voltage differential refers to the difference between input and output voltage when Vcc is set to the minimum output voltage.

● Input pin description and equivalent circuits

Pin No.	Pin name	Function
1	GND	GND for large current, connected to IC substrate
2	NC	
3	PRE GND	GND for small current
4	MODE2	Pin to control ON/OFF of ACTIVE 2 output
5	NC	
6	MODE1	Pin to control ON/OFF of ACTIVE 1 output
7	NF1	Return pin for setting ACTIVE 1 output voltage; reference voltage is 1.26 V (typical).
8	NF2	Return pin for setting ACTIVE 2 output voltage; reference voltage is 1.26 V (typical).
9	ACTIVE2	Power supply output for 500 mA output current
10	Vcc	DC power supply input pin
11	ACTIVE1	Power supply output for 800 mA output current
12	NC	

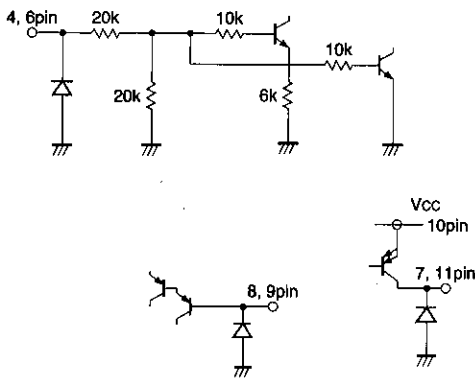


Fig.1 Input / Output equivalent circuits

● Output voltage setting

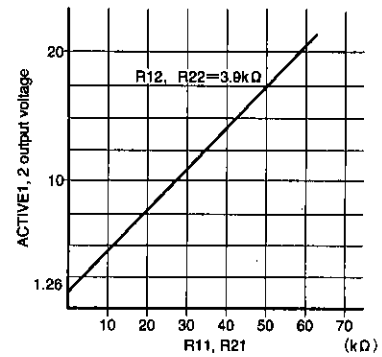


Fig.2 Feedback resistance vs. output voltage

Output voltage setting

$$V_{ref} = \frac{R_{11} (21) + R_{12} (22)}{R_{12} (22)}$$

(1.26V)

Example of output voltage setting resistance  
( $V_{o1} = 6V, V_{o2} = 8V$ )

$$R_{11} = 15k\Omega \quad R_{21} = 22k\Omega$$

$$R_{12} = 3.9k\Omega \quad R_{22} = 3.9k\Omega$$

●Output voltage setting

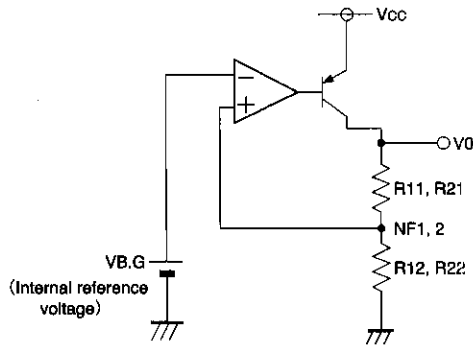


Fig.3 Output equivalent circuit

●Application example

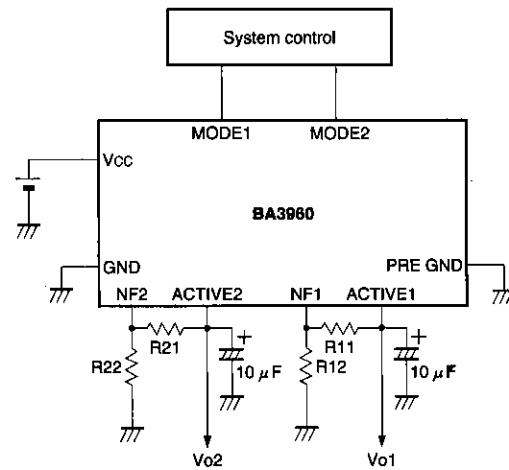


Fig.4

●Rough estimation of IC power dissipation

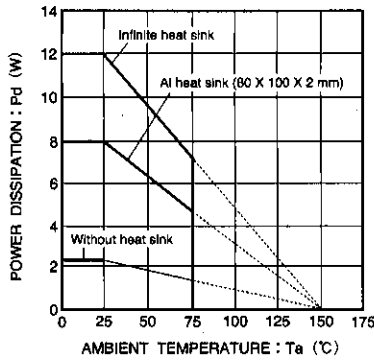


Fig.5 Thermal derating curves

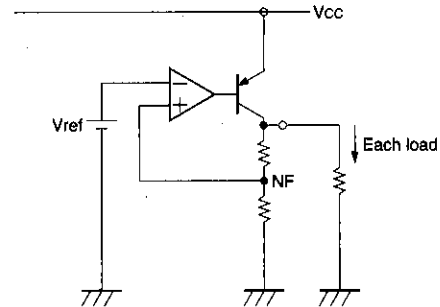


Fig.6 Output equivalent circuit

Except under transitional conditions, the power dissipation of this IC is 2.2W per unit at 25°C.  
See Fig. 5 for heat reduction characteristics, including some cases where heat sinks are used.

P<sub>MAX.</sub> calculation

- Power consumed by ACTIVE 1  $P_1 = (V_{CC} - \text{set output voltage}) \times \text{maximum output voltage}$
- Power consumed by ACTIVE 2  $P_2 = (V_{CC} - \text{set output voltage}) \times \text{maximum output voltage}$
- Power consumed internally by each circuit  $P_3 = V_{CC} \times \text{circuit current}$

$$P_{MAX.} = P_1 + P_2 + P_3$$

## ● Operation notes

## 1. Operating power supply

When operating within proper ranges of power supply voltage and ambient temperature, most circuit functions are guaranteed. Although the rated values of electrical characteristics cannot be absolutely guaranteed, characteristic values do not change drastically within the proper ranges.

## 2. Power dissipation (Pd)

Refer to the heat reduction characteristics (Fig. 5) and the rough estimation of IC power dissipation presented on a separate page. If power dissipation exceeds the allowable limit, the functionality of IC will be degraded (such as reduction of current capacity by increased chip temperature). Make sure to use the IC within the allowable range of power dissipation with a sufficient margin.

## 3. Preventing oscillation at each output

To stop oscillation of output, make sure to connect a capacitor having a capacitance of  $10\ \mu\text{F}$  or greater between GND and each of the Active 1 and 2 output pins. Oscillation can occur if capacitance is susceptible to temperature. We recommend using a tantalum electrolytic capacitor with minimal changes in capacitance. Also, output can be further stabilized by connecting a bypass capacitor between  $V_{\text{CC}}$  and GND.

## 4. Overcurrent protection circuit

An overcurrent protection circuit is installed on the Active 1 and 2 outputs, based on the respective current capacity. This prevents IC destruction when the load is short-circuited, by limiting the current with a curve shape of "7" in the voltage-current graph. The IC is designed with margins so that current flow will be restricted and latching will be prevented even if a large current suddenly flows through a large capacitor. Note that these protection circuits are only good for preventing damage from sudden accidents. Make sure your design does not cause the protection circuit to operate continuously under transitional conditions (for instance, if output is clamped at  $1V_{\text{F}}$  or higher, short mode circuit operates at  $1V_{\text{F}}$  or lower). Note that the circuit ability is negatively correlated with temperature.

## 5. Thermal protection circuit

A built-in thermal protection circuit prevents thermal damage to the IC. All outputs are switched OFF when the circuit operates, and revert to the original state when temperature drops to a certain level.

## 6. Grounding

To minimize the variation of output voltage due to variations in load current, the GND (pin 1, for large current) and the PRE GND (pin 3, for small current) pins are separately provided. Make sure to connect circuits to correct pins.

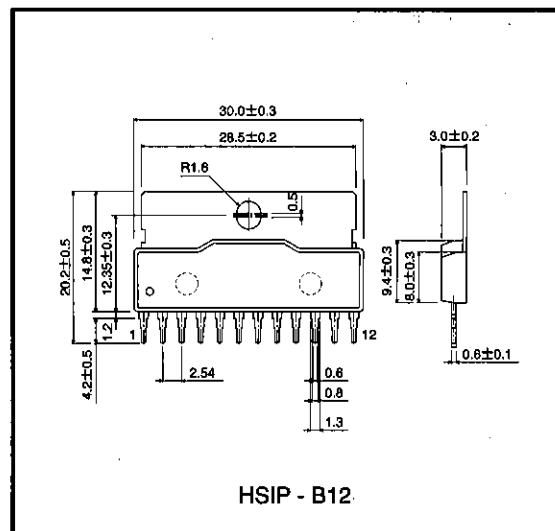
## 7. Output voltage setting

ROHM recommends using a  $3.9\text{k}\ \Omega$  resistor for R12 and R22. Refer to a separate page for the output voltage setting. Note that making a large change to the R12 and R22 values will affect the current capacity.

## 8. MODE voltage

Due to the IC's internal structure, a reverse current flow will occur if the MODE voltage exceeds the  $V_{\text{CC}}$  voltage. Make sure to avoid this.

## ● External dimensions (Units: mm)



## Notes

- The contents described in this catalogue are correct as of March 1997.
- No unauthorized transmission or reproduction of this book, either in whole or in part, is permitted.
- The contents of this book are subject to change without notice. Always verify before use that the contents are the latest specifications. If, by any chance, a defect should arise in the equipment as a result of use without verification of the specifications, ROHM CO., LTD., can bear no responsibility whatsoever.
- Application circuit diagrams and circuit constants contained in this data book are shown as examples of standard use and operation. When designing for mass production, please pay careful attention to peripheral conditions.
- Any and all data, including, but not limited to application circuit diagrams, information, and various data, described in this catalogue are intended only as illustrations of such devices and not as the specifications for such devices. ROHM CO., LTD., disclaims any warranty that any use of such device shall be free from infringement of any third party's intellectual property rights or other proprietary rights, and further, assumes absolutely no liability in the event of any such infringement, or arising from or connected with or related to the use of such devices.
- Upon the sale of any such devices; other than for the buyer's right to use such devices itself, resell or otherwise dispose of the same; no express or implied right or license to practice or commercially exploit any intellectual property rights or other proprietary rights owned or controlled by ROHM CO., LTD., is granted to any such buyer.
- The products in this manual are manufactured with silicon as the main material.
- The products in this manual are not of radiation resistant design.

The products listed in this catalogue are designed to be used with ordinary electronic equipment or devices (such as audio-visual equipment, office-automation equipment, communications devices, electrical appliances, and electronic toys). Should you intend to use these products with equipment or devices which require an extremely high level of reliability and the malfunction of which would directly endanger human life (such as medical instruments, transportation equipment, aerospace machinery, nuclear-reactor controllers, fuel controllers, or other safety devices) please be sure to consult with our sales representatives in advance.

- Notes when exporting
  - It is essential to obtain export permission when exporting any of the above products when it falls under the category of strategic material (or labor) as determined by foreign exchange or foreign trade control laws.
  - Please be sure to consult with our sales representatives to ascertain whether any product is classified as a strategic material.