

System power supply for CD player-equipped audio systems

BA3963

With 5V and 7V outputs and a reset output that detects the 5V output, the BA3963 power supply IC is best suited for CD player-equipped audio systems.

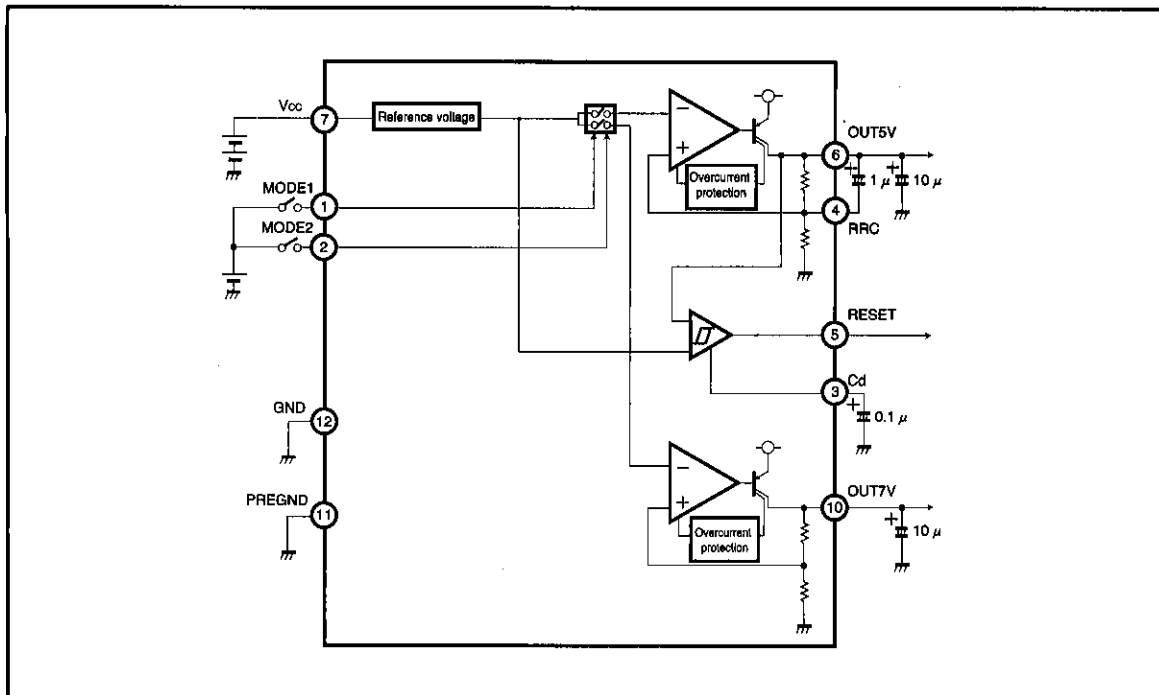
●Applications

CD player-equipped audio systems

●Features

- 1) A 5V output, a 7V output, and a reset output are built in.
- 2) All output circuits use a PNP transistor with a low saturation voltage.
- 3) Current limit circuit protects the IC against short-circuiting damage.
- 4) Thermal protection circuit prevents heat damage to the IC.
- 5) Compact SIP-M12 package allows a large power dissipation.

●Block diagram



BA392X/3X/4X/5X/6X Series

System Power Supply

●Absolute maximum ratings (Ta=25°C)

Parameter	Symbol	Limits	Unit
Power supply voltage	V _{CC}	23	V
Power dissipation	P _d	3000*	mW
Operating temperature	T _{opr}	-25~75	°C
Storage temperature	T _{stg}	-55 ~ 150	°C

* Reduce power by 24 mW for each degree above 25 °C.

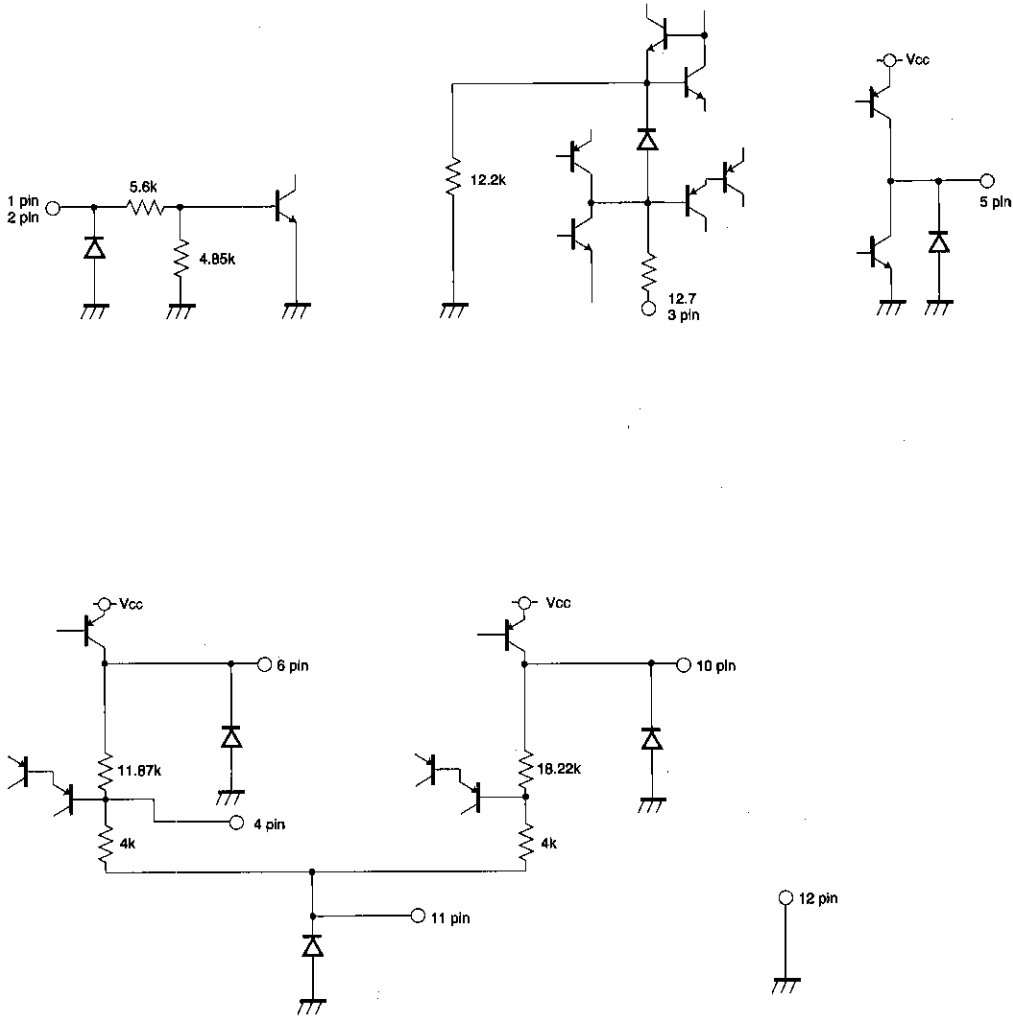
●Recommended operating conditions (Ta=25°C)

Parameter	Symbol	Min.	Typ.	Max.	Unit
Power supply voltage	V _{CC}	5.6	12	22	V

●Pin descriptions

Pin No.	Pin name	Function
1	MODE1	5 V output ON/OFF switching pin
2	MODE2	7 V output ON/OFF switching pin
3	C	Capacitor pin for setting the delay time
4	RRC	Capacitor pin for improving the ripple rejection
5	Reset output	Power supply output current (1 mA)
6	5 V output	Power supply output current (400 mA)
7	V _{CC}	DC power supply input pin
8	NC	
9	NC	
10	7 V output	Power supply output current (1 A)
11	PRE GND	Small current GND
12	GND	Large current GND

● Input/output circuits



Unit: R [Ω]

BA392X/3X/4X/5X/6X Series

System Power Supply

● Electrical characteristics (unless otherwise noted, Ta=25°C and V_{CC}=12V)

Parameter	Symbol	Min.	Typ.	Max.	Unit	Conditions
Standby circuit current	I _{st}	—	720	900	μA	V _{th1} , V _{th2} =0V
(5 V output section)						
Output voltage 1	V _{o1}	4.75	5.0	5.25	V	I _{o1} =320mA
Voltage variation	ΔV _{o11}	—	70	200	mV	I _{o1} =320mA
Load variation	ΔV _{o12}	—	65	200	mV	I _o =0~320mA
Minimum I/O voltage differential	ΔV _{o13}	—	0.7	1.0	V	I _{o1} =320mA
Output current capacity	I _{o1}	400	—	—	mA	
Ripple rejection ratio	R.R11	50	64	—	dB	f=120Hz, I _o =320mA
Ripple rejection ratio *	R.R12	60	74	—	dB	f=120Hz, I _o =320mA
(7 V output section)						
Output voltage 2	V _{o2}	6.65	7.0	7.35	V	I _{o2} =800mA
Voltage variation	ΔV _{o21}	—	65	200	mV	I _{o1} =800mA
Load variation	ΔV _{o22}	—	140	300	mV	I _o =0~800mA
Minimum I/O voltage differential	ΔV _{o23}	—	0.7	1.0	V	I _{o1} =800mA
Output current capacity	I _{o2}	1.0	—	—	A	
Ripple rejection ratio	R.R2	50	57	—	dB	f=120Hz, I _o =800mA
(Reset section)						
Output voltage when HIGH	V _{res1}	4.7	4.95	5.2	V	I _{load} =1mA
Output voltage when LOW	V _{res2}	—	0.1	0.2	V	I _{sink} =0.5mA
Threshold voltage	V _{reth}	3.95	4.2	4.45	V	
Hysteresis voltage	V _{hys}	50	150	250	mV	
Reset output delay time	T _d	7.5	10	12.5	ms	C _d =0.1 μF
(Output control section)						
MODE 1 threshold voltage	V _{th1}	1.1	1.4	1.7	V	
MODE 2 threshold voltage	V _{th2}	1.1	1.4	1.7	V	
Input current when HIGH	I _m	0.46	0.77	1.1	mA	V _{th1} , V _{th2} =5V

* Asterisked ripple rejection ratio corresponds to the case where a capacitor (1 μF) is used between pins 4 and 6.

○ Not designed to be radiation tolerant.

●Circuit operation

OUT 5V rises when MODE 1 is 1.4V (typical), and OUT 7V rises when MODE 2 is 1.4V (typical). The reset output rises with a delay time (t_d) when OUT 5V is 4.2V (typical), and rises when OUT 5V is 4.1V (typical).

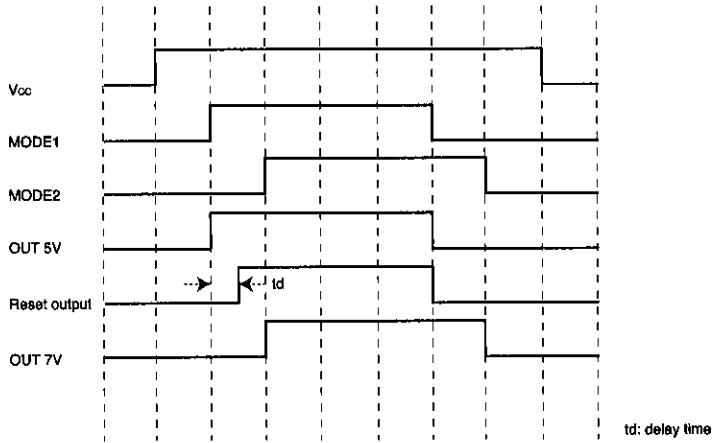


Fig.1 Timing chart

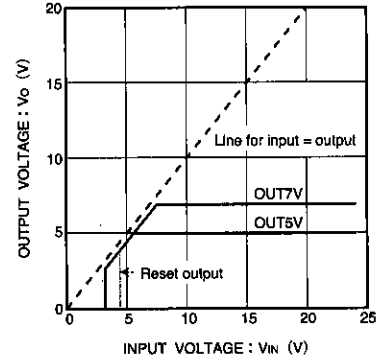


Fig.2 Input voltage vs. output voltage

● Circuit operation

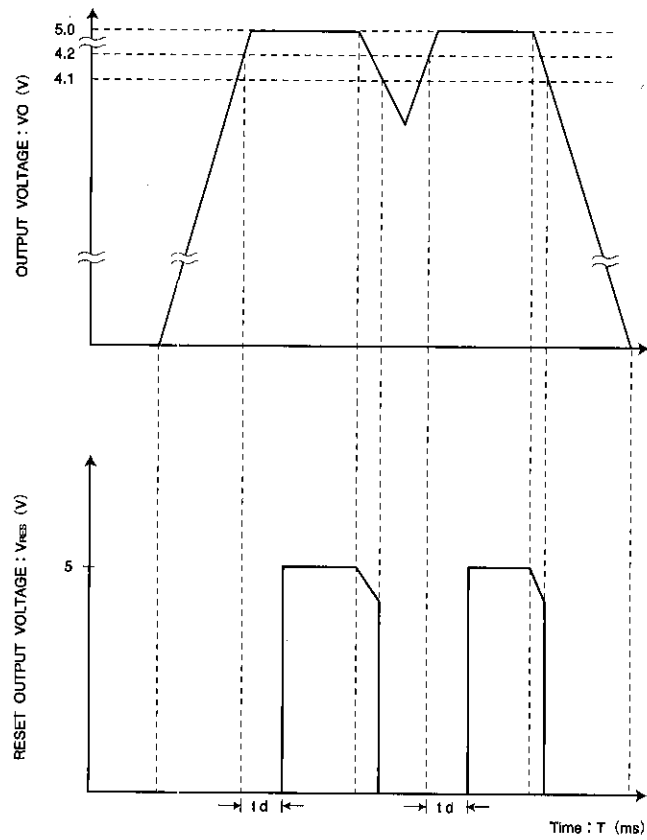


Fig.3 Timing of reset operation

● Application example

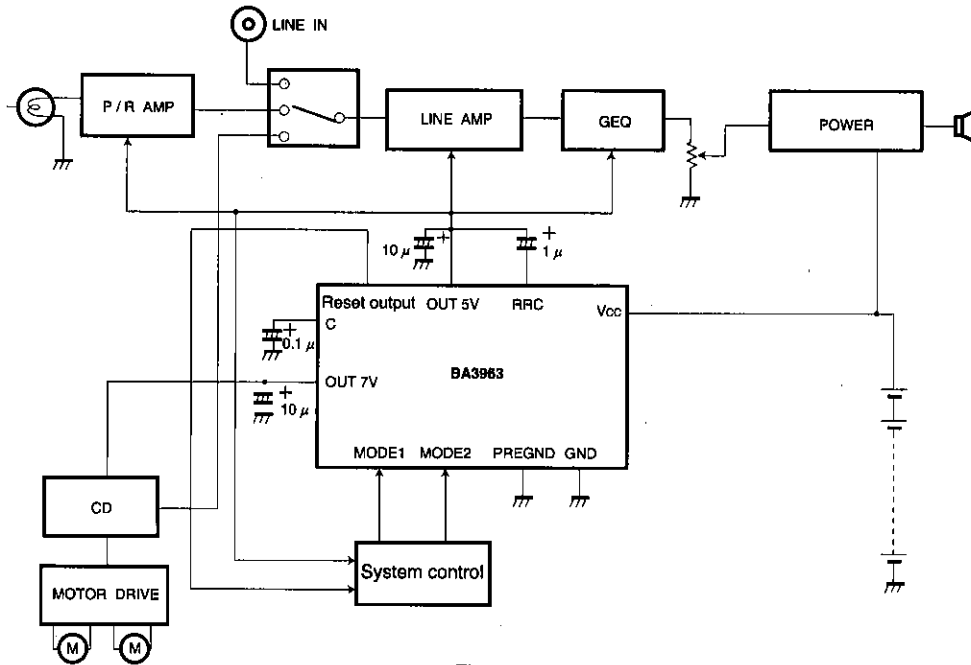


Fig.4

● Operation notes

1. Operating power supply

When operating within proper ranges of power supply voltage and ambient temperature, most circuit functions are guaranteed. Although the rated values of electrical characteristics cannot be absolutely guaranteed, characteristic values do not change drastically within the proper ranges.

2. Power dissipation (Pd)

Refer to the heat reduction characteristics (Fig. 5) and the rough estimation of IC power dissipation given on a separate page. If power dissipation exceeds the allowable limit, the functionality of IC will be degraded (such as reduction of current capacity by increased chip temperature). Make sure to use the IC within the allowable range of power dissipation with a sufficient margin.

3. Preventing oscillation at each output

To stop oscillation of output, make sure to connect a capacitor having a capacitance of $10 \mu\text{F}$ or greater between GND and each output pin. Also, the 5V output ripple rejection is improved by connecting a capacitor having a capacitance of $1 \mu\text{F}$ or greater between pins 4 and 6. When connecting the capacitors, be sure to connect the polarities correctly. Oscillation of output can occur if capacitance is susceptible to temperature. We recommend using a tantalum electrolytic capacitor with minimal changes in capacitance.

4. Overcurrent protection circuit

An overcurrent protection circuit is installed in each output system, based on the respective output current. This prevents IC destruction by overcurrent, by limiting the current with a curve shape of "7" in the voltage-current graph. The IC is designed with margins so that current flow will be restricted and latching will be prevented even if a large current suddenly flows through a large capacitor. Note that these protection circuits are only good for preventing damage from sudden accidents. Make sure your design does not cause the protection circuit to operate continuously under transitional conditions (for instance, when output is clamped at 1V_F or higher, short mode circuit operates at 1V_F or lower). Note that the circuit ability is negatively correlated with temperature.

5. Thermal protection circuit

A built-in thermal protection circuit prevents thermal damage to the IC. All outputs are switched OFF when the circuit operates, and revert to the original state when temperature drops to a certain level.

6. Grounding

To minimize the variation of output voltage due to variations in load current, the GND (pin 12, for large current) and the PRE GND (pin 11, for small current) pins are separately provided. Make sure to connect circuits to correct pins.

● Thermal derating characteristics

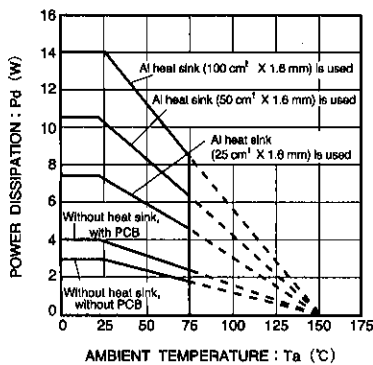


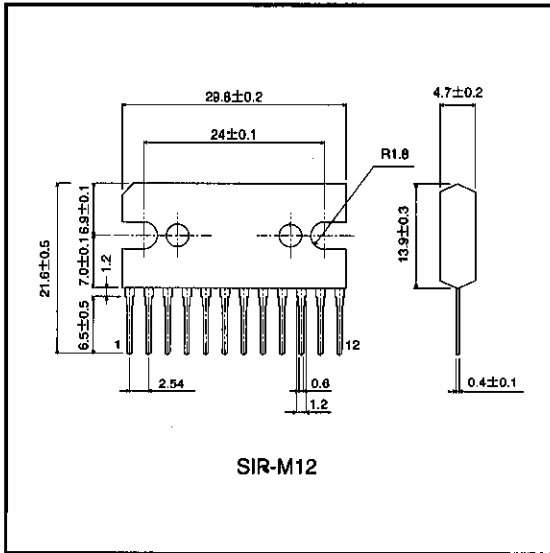
Fig.5

Rough estimation of IC power dissipation (P_{MAX})

- Power consumed by OUT 5V $P_1 = (V_{CC} - 5V) \times \text{maximum load current of OUT 5V}$
- Power consumed by OUT 7V $P_2 = (V_{CC} - 7V) \times \text{maximum load current of OUT 7V}$
- Power consumed by the reset output $P_3 = (V_{CC} - 4.95V) \times \text{maximum load current of the reset output}$
- Power consumed internally by each circuit $P_4 = V_{CC} \times \text{circuit current}$

$$P_{MAX} = P_1 + P_2 + P_3 + P_4$$

● External dimensions (Units: mm)



Notes

- The contents described in this catalogue are correct as of March 1997.
- No unauthorized transmission or reproduction of this book, either in whole or in part, is permitted.
- The contents of this book are subject to change without notice. Always verify before use that the contents are the latest specifications. If, by any chance, a defect should arise in the equipment as a result of use without verification of the specifications, ROHM CO., LTD., can bear no responsibility whatsoever.
- Application circuit diagrams and circuit constants contained in this data book are shown as examples of standard use and operation. When designing for mass production, please pay careful attention to peripheral conditions.
- Any and all data, including, but not limited to application circuit diagrams, information, and various data, described in this catalogue are intended only as illustrations of such devices and not as the specifications for such devices. ROHM CO., LTD., disclaims any warranty that any use of such device shall be free from infringement of any third party's intellectual property rights or other proprietary rights, and further, assumes absolutely no liability in the event of any such infringement, or arising from or connected with or related to the use of such devices.
- Upon the sale of any such devices; other than for the buyer's right to use such devices itself, resell or otherwise dispose of the same; no express or implied right or license to practice or commercially exploit any intellectual property rights or other proprietary rights owned or controlled by ROHM CO., LTD., is granted to any such buyer.
- The products in this manual are manufactured with silicon as the main material.
- The products in this manual are not of radiation resistant design.

The products listed in this catalogue are designed to be used with ordinary electronic equipment or devices (such as audio-visual equipment, office-automation equipment, communications devices, electrical appliances, and electronic toys). Should you intend to use these products with equipment or devices which require an extremely high level of reliability and the malfunction of which would directly endanger human life (such as medical instruments, transportation equipment, aerospace machinery, nuclear-reactor controllers, fuel controllers, or other safety devices) please be sure to consult with our sales representatives in advance.

- Notes when exporting
 - It is essential to obtain export permission when exporting any of the above products when it falls under the category of strategic material (or labor) as determined by foreign exchange or foreign trade control laws.
 - Please be sure to consult with our sales representatives to ascertain whether any product is classified as a strategic material.