

LED level meter driver, 5-point, VU scale

BA6137

The BA6137 is a driver IC for LED VU level meters in stereo equipment and other display applications. The IC displays the input level (range: -10dB to $+6\text{dB}$) on a 5-point, bar-type LED display. The BA6137 includes a rectifier amplifier allowing direct AC input, and has constant-current outputs, so it can directly drive the LEDs without variations in LED current due to supply voltage fluctuations.

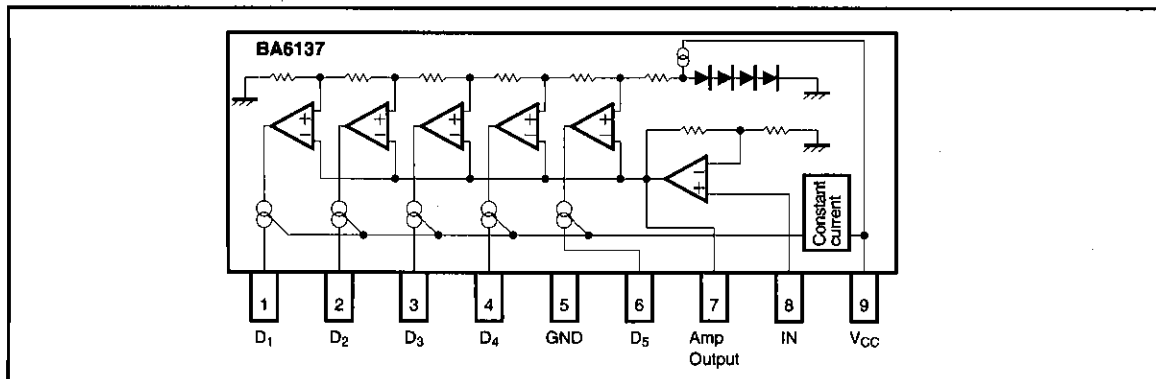
● Applications

VU meters, signal meters, and other display devices.

● Features

- 1) Rectifier amplifier allows either AC or DC input.
- 2) Constant-current outputs for constant LED current when the supply voltage fluctuates.
- 3) Current output is optimized for red LEDs, for low power consumption.
- 4) Built-in reference voltage means that power supply voltage fluctuations do not effect the display.
- 5) Wide operating voltage range (3.5V to 16V) for a wide range of applications.
- 6) Low PCB space requirements. Comes in a compact 9-pin SIP package and requires few external components.

● Block diagram



● Absolute maximum ratings ($T_a = 25^\circ\text{C}$)

Parameter	Symbol	Limits	Unit
Supply voltage	V_{CC}	18	V
Power dissipation	P_d	800*	mW
Operating temperature	T_{opr}	$-25 \sim 60$	$^\circ\text{C}$
Storage temperature	T_{stg}	$-55 \sim 125$	$^\circ\text{C}$
Junction temperature	T_J	150	$^\circ\text{C}$

* Reduced by 6.4mW for each increase in T_a of 1°C over 25°C .

●Electrical characteristics (unless otherwise specified $T_a = 25^\circ\text{C}$, $V_{CC} = 6.0\text{V}$, and $f = 1\text{kHz}$)

Parameter	Symbol	Min.	Typ.	Max.	Unit	Conditions	Measurement Circuit
Supply voltage	V_{CC}	3.5	6	16	V	—	Fig.1
Quiescent current	I_Q	—	5	8	mA	$V_{IN}=0\text{V}$	Fig.1
Control level 1	V_{C1}	-11.5	-10	-8.5	dB	—	Fig.1
Control level 2	V_{C2}	-6	-5	-4	dB	—	Fig.1
Control level 3	V_{C3}	—	0	—	dB	Adjustment point	Fig.1
Control level 4	V_{C4}	2.5	3	3.5	dB	—	Fig.1
Control level 5	V_{C5}	5	6	7	dB	—	Fig.1
Sensitivity	V_{IN}	74	85	96	mV_{rms}	V_{C3} on level	Fig.1
LED current	I_{LED}	5	7	9.5	mA	—	Fig.1
Input bias current	I_{IN0}	—	0.3	1.0	μA	—	Fig.1

●Measurement circuit

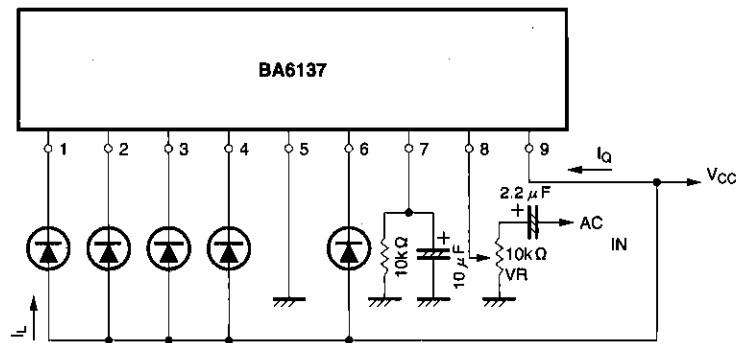


Fig. 1

●Application example

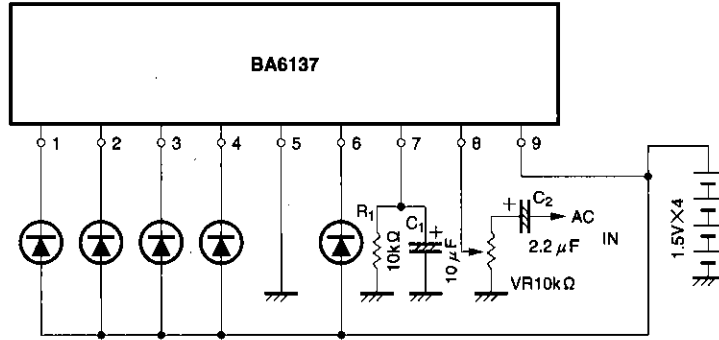


Fig. 2

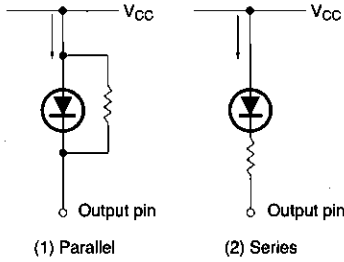


Fig. 3

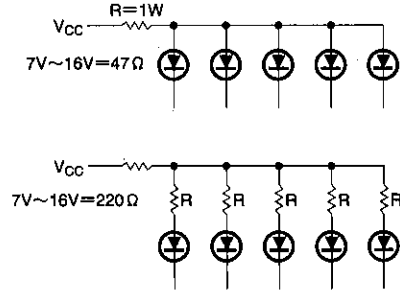


Fig. 4

The response time (attack and release time) can be changed by varying the values of C_1 and C_2 to change the time constant.

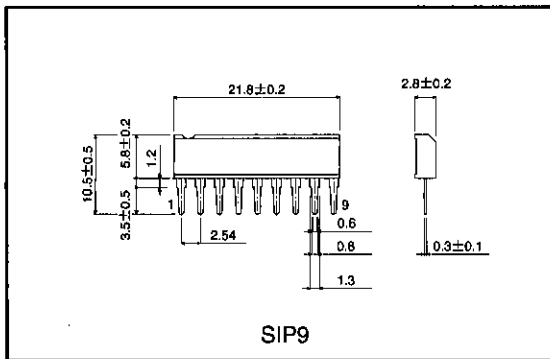
C_2 is a coupling capacitor, and VR varies the input level. Input the desired fixed voltage and adjust VR so that the LED lights at 0dB.

To reduce the LED current, connect a resistor either in parallel (Fig. 3 (1)) or in series (Fig. 3 (2)) with the LED.

If a resistor is connected in series with the LED, the LED current will change if the supply voltage fluctuates.

Note: If the power supply voltage exceeds 9V, insert a resistor in series with the LED current supply line, or connect a heat sink so that the maximum power dissipation $P_{d\text{Max}}$ is not exceeded (see Fig. 4).

●External dimensions (Unit: mm)



Level meter drivers
Audio accessory components