

Preservo Amplifiers for CD Players

BA6376K

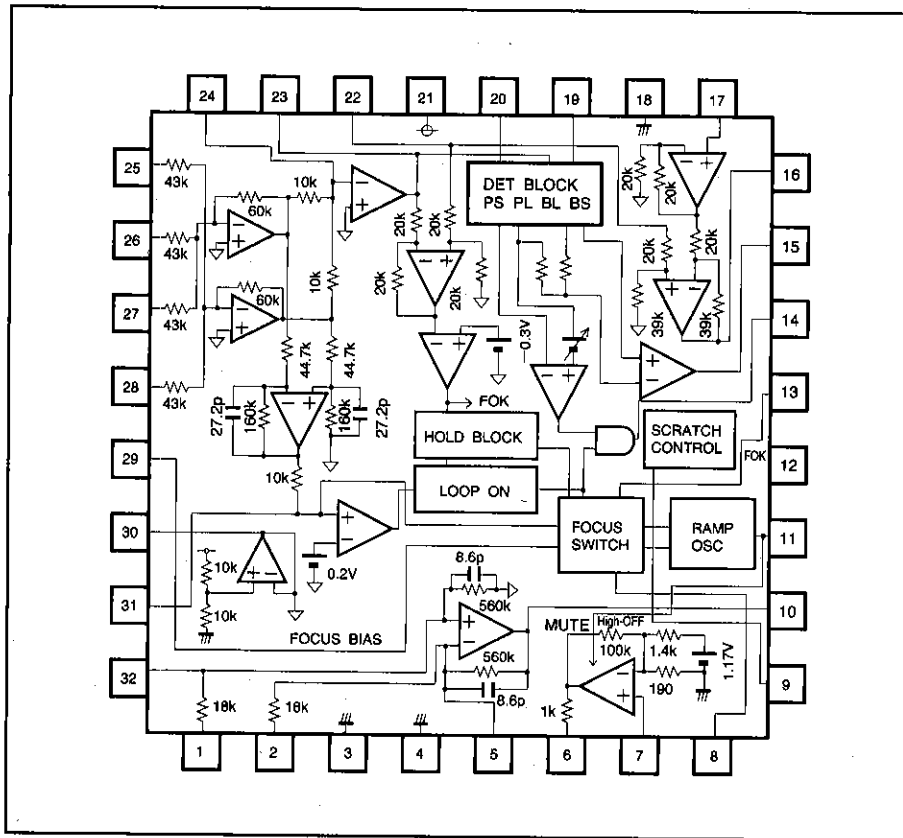
The BA6376K is a preservo amplifier that generates RF, focus error and tracking error signals from the signals output by voltage output pickups. Using this IC in combination with the BU9312KS can significantly reduce the number of attached components for CD player servos and signal processing circuits.

● Applications
CD players

● Features

- 1) Internal focus search sequence, for better playability.
- 2) Internal disk defect detector.
- 3) Internal auto asymmetry circuit.
- 4) Internal APC circuit.
- 5) Internal focus protection against disk defects.

● Block diagram



● Absolute maximum ratings (Ta=25°C)

Parameter	Symbol	Limits	Unit
Power supply voltage	Vcc	9	V
Power dissipation	Pd	400	mW
Operating temperature	Topr	-25~75	°C
Storage temperature	Tstg	-55~125	°C

* Reduced by 4.0 mW for each increase in Ta of 1°C over 25°C.

● Recommended operating conditions (Ta=25°C)

Parameter	Symbol	Min.	Typ.	Max.	Unit
Power supply voltage	Vcc	3.1	3.4	3.8	V

● Pin descriptions

Pin No.	Pin name	Function
1	E	E input
2	F	F input
3	AGND	Analog ground
4	DGND	Digital ground
5	FI	Feedback for adjusting F gain
6	LD	APC amplifier output
7	PD	APC amplifier input
8	R/H	Attach capacitor for ramp wave/loop-off
9	SC	Attach resistor for scratch depth adjustment
10	TE	Tracking error output
11	FON	Focus-on control
12	FOK	Focus-OK comparator output
13	FE	Focus error output 1
14	DEFECT	Defect signal output
15	MIRR	Mirror signal output
16	EFM	EFM signal output

Pin No.	Pin name	Function
17	ASY	Auto asymmetry control input
18	DETGND	Detector ground
19	BLH	Attach bottom-long capacitor
20	PLH	Attach peak-long capacitor
21	VCC	Power supply
22	RFI	Re-input of RF output capacitor coupling
23	RFO	RF summing amplifier output
24	RF-	Input of RF summing amplifier feedback
25	A	A input
26	B	B input
27	D	D input
28	C	C input
29	FEB	Input of focus error bias
30	VB	Bias amplifier output
31	FE'	Focus error output 2
32	EI	Feedback for E gain adjustment

RF Amplifiers

For CDs/CD-ROMs

●Electrical characteristics (unless otherwise noted, Ta=25°C, Vcc=3.4V)

Parameter	Symbol	Min.	Typ.	Max.	Unit	Conditions
Quiescent current	I _Q	5.0	9.0	13.0	mA	
(Bias amplifier)						
Bias voltage	V _B	1.57	1.70	1.83	V	
Maximum output current (H)	I _{OH}	5.0	—	—	mA	Maximum bias differential = 200 mV
Maximum output current (L)	I _{OL}	5.0	—	—	mA	Maximum bias differential = 200 mV
(RF amplifier)						
Output voltage, offset	V _{OFFRF}	-80	—	120	mV	
Voltage gain	G _{RF}	20.5	23.5	26.5	dB	V7=1.5V, SG4=30mV _{P-P} , 1kHz
Maximum output amplitude (H)	V _{OHRF}	1.35	1.50	—	V	Simultaneous input of AC and BD V8=V _B ±3V
Maximum output amplitude (L)	V _{OLRF}	—	-0.6	-0.3	V	
(FE amplifier)						
Output voltage, offset	V _{OFFFE}	-100	—	100	mV	
Voltage gain (AC)	G _{FEAC}	23	26	29	dB	SG4=30mV _{P-P} , 1kHz
Voltage gain (BD)	G _{FEBD}	23	26	29	dB	SG4=30mV _{P-P} , 1kHz
Voltage gain differential	ΔG _{FE}	-3	0	3	dB	
Maximum output amplitude (H)	V _{OHTE}	1.35	1.50	—	V	Separate measurement of inputs AC and BD V8=V _B ±0.2V
Maximum output amplitude (L)	V _{OLTE}	—	-1.50	-1.35	V	
(TE amplifier)						
Output voltage, offset	V _{OFFTE}	-80	—	80	mV	
Voltage gain (E)	G _{TEE}	27	30	33	dB	SG1=30mV _{P-P} , 1kHz
Voltage gain (F)	G _{TEF}	27	30	33	dB	SG1=30mV _{P-P} , 1kHz
Voltage gain differential	ΔG _{TE}	-3	0	3	dB	
Maximum output amplitude (H)	V _{OHTE}	1.35	1.50	—	V	Separate measurement of inputs E and F V1=V _B ±0.3V
Maximum output amplitude (L)	V _{OLTE}	—	-1.50	-1.35	V	
(FOK comparator)						
Threshold voltage	V _{THFK}	0.2	0.3	0.4	V	Pin 22 input
High level output voltage	V _{OHFK}	2.8	—	—	V	V6=V _B -0.4V
Low level output voltage	V _{OLFK}	—	—	0.6	V	V6=V _B -0.2V
Maximum operating frequency	F _{MXFK}	45	—	—	kHz	
(Asymmetrical amplifier)						
Output voltage, offset	V _{OFFAS}	-60	—	60	mV	
Voltage gain (1)	G _{1AS}	3	6	9	dB	Pin 22 input, 80mV _{P-P} , 1kHz
Voltage gain (2)	G _{2AS}	8.5	11.5	14.5	dB	Pin 17 input, 80mV _{P-P} , 1kHz
Maximum output amplitude (H)	V _{OHAS}	0.70	0.90	—	V	Pin 22 or 17 input V6=V _B ±1.0
Maximum output amplitude (L)	V _{OLAS}	—	-1.4	-1.0	V	
(APC amplifier)						
Output voltage (1)	V _{O1AP}	2.5	3.0	—	V	Pin 7 input 180 mV
Output voltage (2)	V _{O2AP}	—	0.9	1.5	V	Pin 7 input 120 mV
Maximum output amplitude (H)	V _{OHAAP}	2.7	3.0	—	V	Pin 7 input 220 mV
Maximum output amplitude (L)	V _{OLAAP}	—	1.9	2.2	V	Pin 7 input 0V with 0.8mA flowing through Pin 6

Parameter	Symbol	Min.	Typ.	Max.	Unit	Conditions
〈Mirror detector〉						
High level output voltage	V _{OHMR}	3.0	—	—	V	
Low level output voltage	V _{OLMR}	—	—	0.5	V	
Minimum operating frequency	F _{MNMR}	—	—	600	Hz	
Maximum operating frequency	F _{MXMR}	30	—	—	kHz	
Minimum input voltage	V _{MNMR}	—	—	0.2	V _{P-P}	
Maximum input voltage	V _{MXMR}	1.2	—	—	V _{P-P}	
〈Defect detector〉						
High level output voltage	V _{OHDF}	3.0	—	—	V	
Low level output voltage	V _{OLDF}	—	—	0.5	V	
Minimum operating frequency	F _{MNDF}	—	—	1	kHz	
Maximum operating frequency	F _{MXDF}	2	—	—	kHz	
Minimum input voltage	V _{MNDF}	—	—	0.5	V _{P-P}	
Maximum input voltage	V _{MXDF}	1.2	—	—	V _{P-P}	
Pin 9 voltage	V ₉	0.95	1.20	1.45	V	
〈Ramp generator circuit〉						
Capacitance charging current	I _{SIRA}	−2.10	−1.60	−1.10	μA	
Capacitance discharging current	I _{SORA}	10.0	15.0	20.0	μA	
High level limit voltage	V _{LHRA}	0.10	0.24	0.38	V	
Low level limit voltage	V _{LLRA}	−0.38	−0.24	−0.10	V	
〈FON pin〉						
Inrush current	I _{IFON}	10.0	15.0	20.0	μA	
Input threshold voltage	V _{THFO}	1.30	1.65	2.00	V	
〈Loop on〉						
Loop off delay time	t _{OFLO}	4.0	6.5	9.0	msec	

- * When FON is LOW, pin 8 voltage is V_s.
- * The ramp wave begins at the bottom.
- * The loop will not turn ON when the ramp wave is at the bottom.
- * Pin 8 is charged rapidly when the loop turns ON.

● Measurement circuit

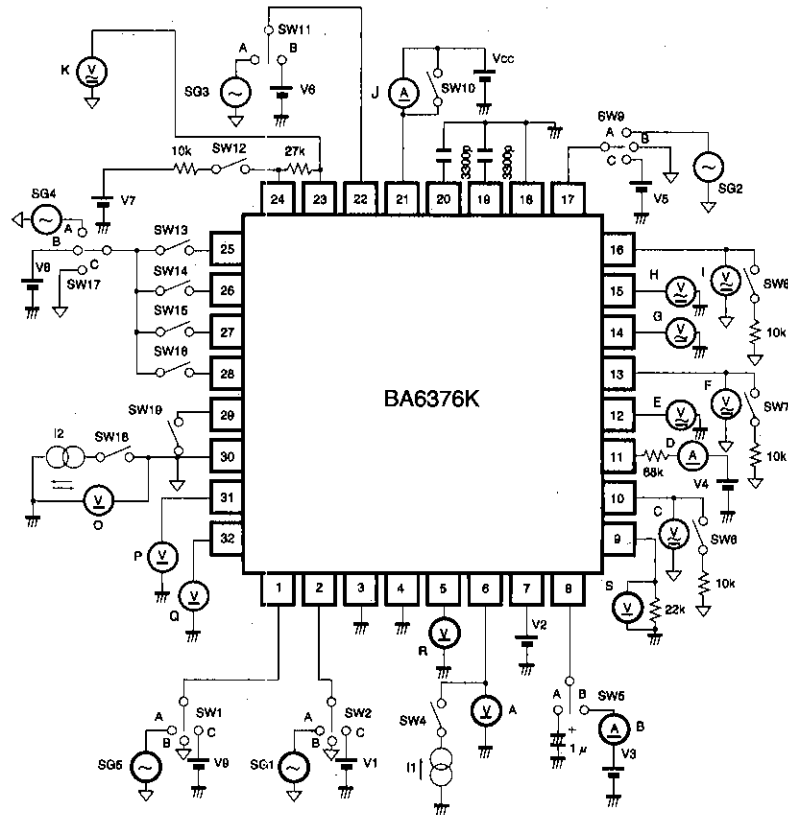


Fig. 1

● Circuit operation

Focus search sequence operations

When the loop turns on

The focus loop turns on when the fall of FEC is detected while FOK is at the HIGH level.

When the loop turns off

The focus loop turns off after the elapse of a delay (T[S], see below) after FOK changes to the LOW state.

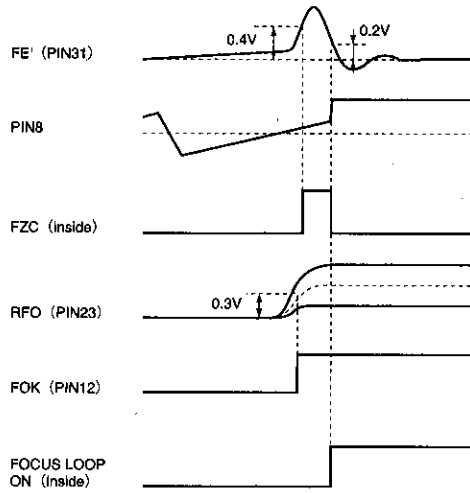


Fig. 2

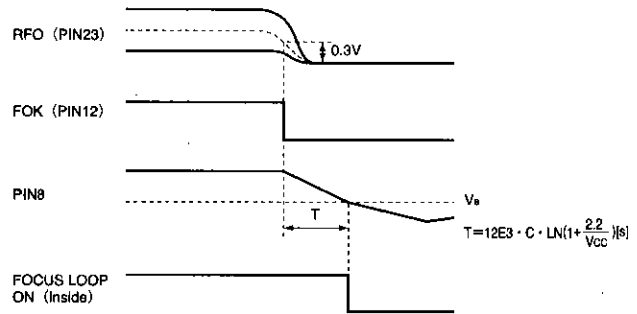


Fig. 3

RF Amplifiers

For CDs/CD-ROMs

●Application example

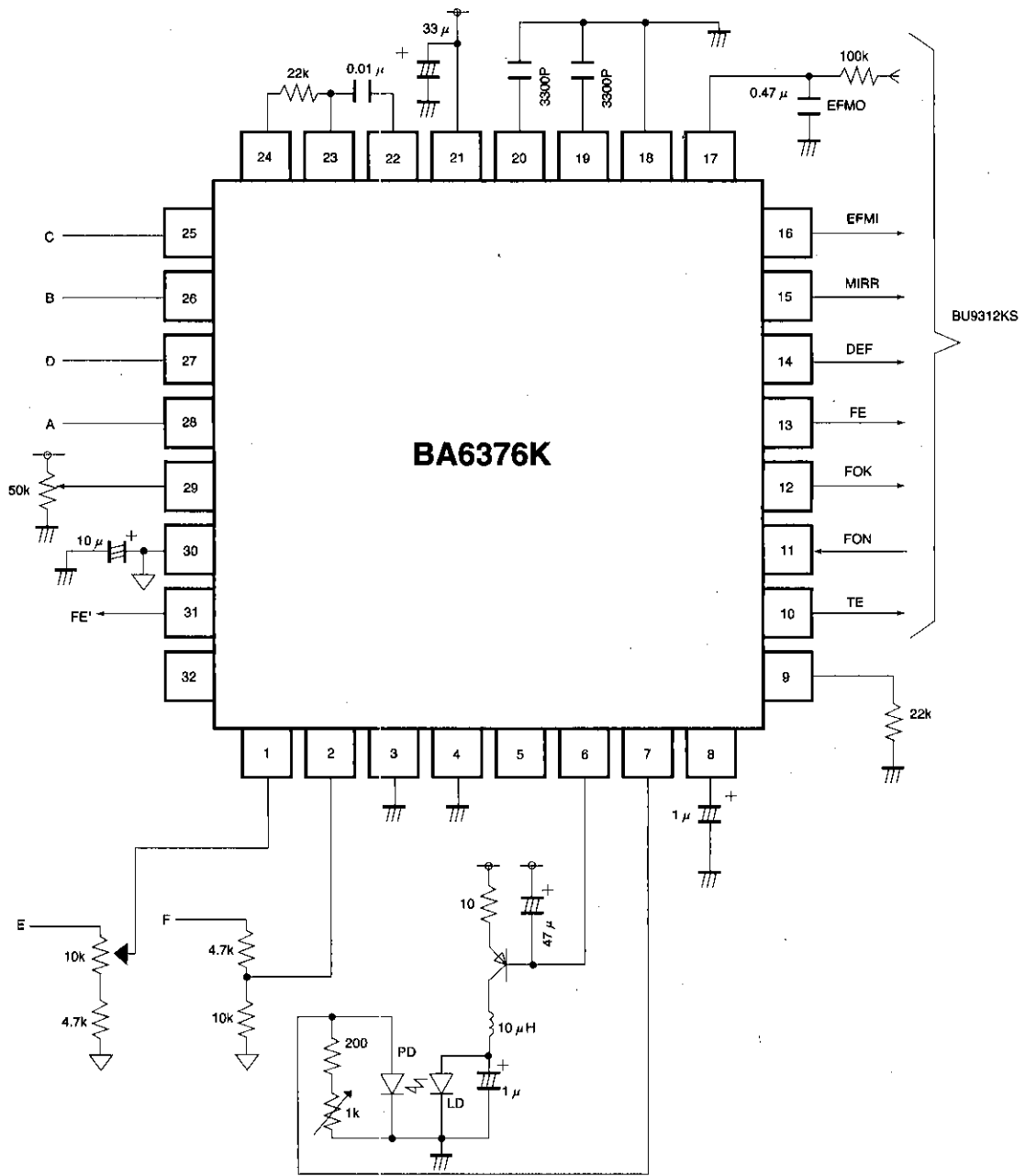


Fig. 4

Note : Attach a resistor (at least 10 kΩ between pins 23 and 24.)

●Electrical characteristic curves

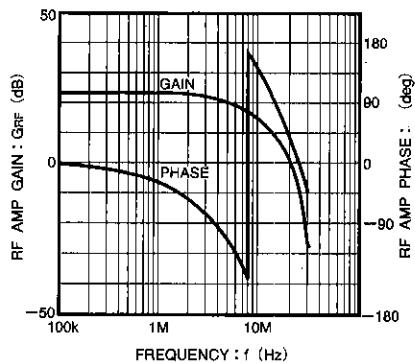


Fig. 5 Radio frequency amplifier frequency characteristics

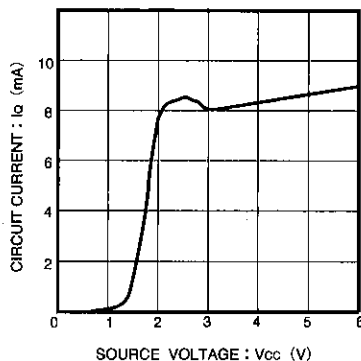


Fig. 6 Source voltage vs. circuit current

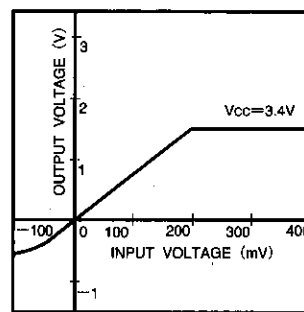


Fig. 7 Radio frequency amplifier I/O characteristics (AC or BD input)

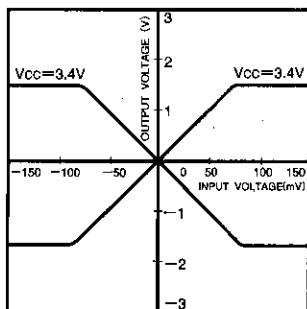


Fig. 8 FE amplifier I/O characteristics

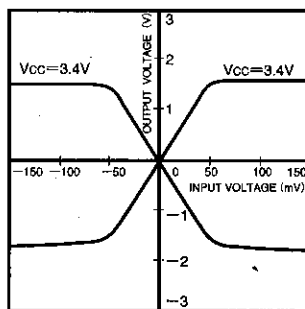
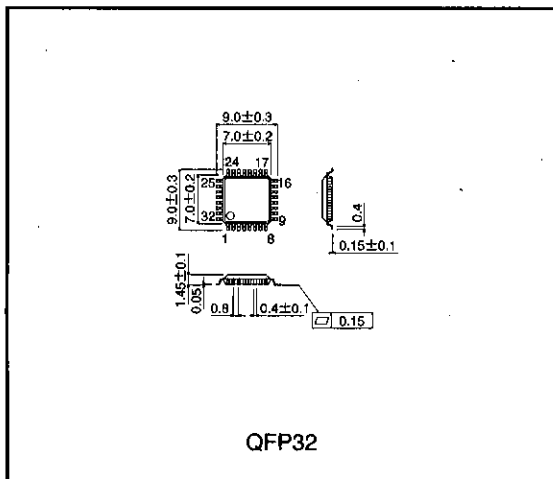


Fig. 9 TE amplifier I/O characteristics

●External dimensions (Units: mm)



QFP32

Notes

- The contents described in this catalogue are correct as of March 1997.
- No unauthorized transmission or reproduction of this book, either in whole or in part, is permitted.
- The contents of this book are subject to change without notice. Always verify before use that the contents are the latest specifications. If, by any chance, a defect should arise in the equipment as a result of use without verification of the specifications, ROHM CO., LTD., can bear no responsibility whatsoever.
- Application circuit diagrams and circuit constants contained in this data book are shown as examples of standard use and operation. When designing for mass production, please pay careful attention to peripheral conditions.
- Any and all data, including, but not limited to application circuit diagrams, information, and various data, described in this catalogue are intended only as illustrations of such devices and not as the specifications for such devices. ROHM CO., LTD., disclaims any warranty that any use of such device shall be free from infringement of any third party's intellectual property rights or other proprietary rights, and further, assumes absolutely no liability in the event of any such infringement, or arising from or connected with or related to the use of such devices.
- Upon the sale of any such devices; other than for the buyer's right to use such devices itself, resell or otherwise dispose of the same; no express or implied right or license to practice or commercially exploit any intellectual property rights or other proprietary rights owned or controlled by ROHM CO., LTD., is granted to any such buyer.
- The products in this manual are manufactured with silicon as the main material.
- The products in this manual are not of radiation resistant design.

The products listed in this catalogue are designed to be used with ordinary electronic equipment or devices (such as audio-visual equipment, office-automation equipment, communications devices, electrical appliances, and electronic toys). Should you intend to use these products with equipment or devices which require an extremely high level of reliability and the malfunction of which would directly endanger human life (such as medical instruments, transportation equipment, aerospace machinery, nuclear-reactor controllers, fuel controllers, or other safety devices) please be sure to consult with our sales representatives in advance.

- Notes when exporting
 - It is essential to obtain export permission when exporting any of the above products when it falls under the category of strategic material (or labor) as determined by foreign exchange or foreign trade control laws.
 - Please be sure to consult with our sales representatives to ascertain whether any product is classified as a strategic material.