

Fluorescent display tube level meter driver, 16-point × 2 channel, VU scale, bar display

BA6800AS

The BA6800AS is a two-channel, 16-point fluorescent display tube driver for VU-scale bar-level meters. It uses a dynamic-drive system and has both AC and DC inputs. The AC input mode has a peak hold circuit. The IC features a power-on mute, and the output block can directly drive fluorescent display tubes, so few external components are required. The grid output duty cycle is 1 / 8.

●Applications

Level meters for all types of AV equipment

●Features

- 1) Uses dynamic-drive system to display two 16-point channels. 30-pin SDIP package.
- 2) AC and DC inputs provided. Switching function allows two-mode display.
- 3) Upper 12 points have peak hold function in AC mode (two seconds).
- 4) Power-on mute function.
- 5) Dynamic-drive system reduces the power dissipation of the fluorescent display tube power supply.
- 6) Square root compression amplifier built in.

●Absolute maximum ratings (Ta = 25°C)

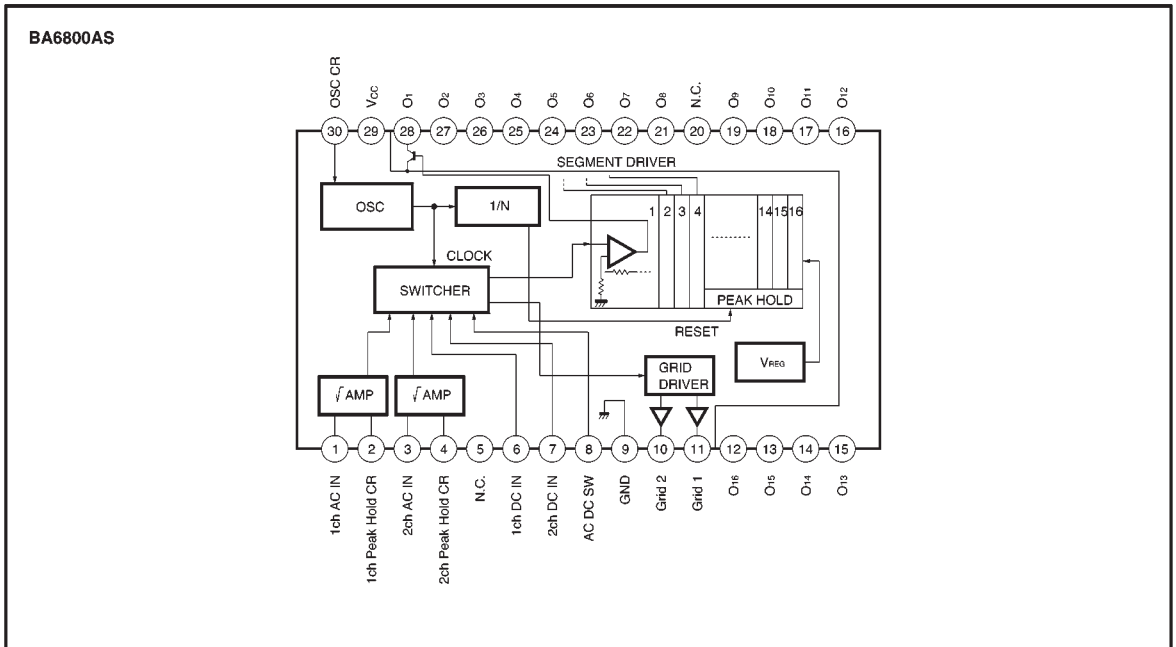
Parameter	Symbol	Limits	Unit
Power supply voltage	V _{CC}	7.0	V
Power dissipation	P _d	1200*	mW
Operating temperature	T _{opr}	-20~+70	°C
Storage temperature	T _{stg}	-55~+125	°C
Output voltage	V _{CC} +V _{EE}	36	V

* Reduced by 12mW for each increase in Ta of 1°C over 25°C.

●Electrical characteristics (unless otherwise noted, Ta = 25°C)

Parameter	Symbol	Min.	Typ.	Max.	Unit	Conditions
Operating power supply voltage	V _{CC}	4.5	5.0	5.8	V	
Quiescent current	I _Q	—	17	24	mA	
AC input resistance	R _{INAC}	175	250	325	Ω	Pins 1 and 3
DC input resistance	R _{INDC}	7	10	13	kΩ	
Oscillator frequency	f _{OSC}	1.7	2.0	2.3	kHz	C=0.015 μF, R=30kΩ
Peak hold time	T _{hold}	—	2	—	s	f _{osc} =2kHz
Output duty cycle	Duty	—	1/8	—	—	f _{osc} =2kHz
Grid output low level voltage	V _{GL}	—	0.4	0.8	V	I _G =5mA
Grid output leakage current	I _{G leak}	—	—	10	μA	V _{CC} =5V

●Block diagram



●Electrical characteristics (unless otherwise noted, Ta = 25°C)

Parameter	Symbol	Min.	Typ.	Max.	Unit	Conditions
Segment output high level voltage	V _{OH}	3.7	4.0	—	V	I _O =2mA
Segment output leakage current	I _{Oleak}	—	—	10	μA	—V _{EE} =-31V
Input switching threshold	V _{TH}	2.2	2.5	2.8	V	AC: pin 8 "H", DC: pin 8 "L"
AC sensitivity	V _{INAC}	250	400	630	mV	R _{IN} = 1.5kΩ AC comparator 10 on level
Maximum grid output current	I _{GM}	5	—	—	mA	V _{OL} =0.8V
Maximum segment output current	I _{OM}	2	—	—	mA	V _{OH} =3.7V
AC comparator level 16	V _{C16AC}	8.5	10	12	dB	Pin 12 output
AC comparator level 15	V _{C15AC}	6.0	7	8.5	dB	Pin 13 output
AC comparator level 14	V _{C14AC}	4.0	5	6.0	dB	Pin 14 output
AC comparator level 13	V _{C13AC}	2.5	3	4.0	dB	Pin 15 output
AC comparator level 12	V _{C12AC}	1.5	2	2.5	dB	Pin 16 output
AC comparator level 11	V _{C11AC}	0.5	1	1.5	dB	Pin 17 output
AC comparator level 10	V _{C10AC}	—	0	—	dB	Pin 18 output
AC comparator level 9	V _{C9AC}	-1.5	-1	-0.5	dB	Pin 19 output
AC comparator level 8	V _{C8AC}	-2.5	-2	-1.5	dB	Pin 21 output
AC comparator level 7	V _{C7AC}	-4.0	-3	-2.5	dB	Pin 22 output
AC comparator level 6	V _{C6AC}	-6.0	-5	-4.0	dB	Pin 23 output
AC comparator level 5	V _{C5AC}	-8.5	-7	-6.0	dB	Pin 24 output
AC comparator level 4	V _{C4AC}	-15	-10	-8.5	dB	Pin 25 output
AC comparator level 3	V _{C3AC}	-25	-20	-15	dB	Pin 26 output
AC comparator level 2	V _{C2AC}	-35	-30	-25	dB	Pin 27 output
AC comparator level 1	V _{C1AC}	-55	-40	-35	dB	Pin 28 output
DC comparator level 16	V _{C16DC}	2.76	3.10	3.44	V	Pin 12 output
DC comparator level 15	V _{C15DC}	2.35	2.64	2.93	V	Pin 13 output
DC comparator level 14	V _{C14DC}	2.07	2.33	2.59	V	Pin 14 output
DC comparator level 13	V _{C13DC}	1.86	2.10	2.34	V	Pin 15 output
DC comparator level 12	V _{C12DC}	1.79	2.03	2.27	V	Pin 16 output
DC comparator level 11	V _{C11DC}	1.62	1.88	2.14	V	Pin 17 output
DC comparator level 10	V _{C10DC}	1.51	1.80	2.09	V	Pin 18 output
DC comparator level 9	V _{C9DC}	1.40	1.71	2.02	V	Pin 19 output
DC comparator level 8	V _{C8DC}	1.33	1.66	1.99	V	Pin 21 output
DC comparator level 7	V _{C7DC}	1.23	1.58	1.93	V	Pin 22 output
DC comparator level 6	V _{C6DC}	1.07	1.41	1.75	V	Pin 23 output
DC comparator level 5	V _{C5DC}	0.93	1.26	1.59	V	Pin 24 output
DC comparator level 4	V _{C4DC}	0.77	1.07	1.37	V	Pin 25 output
DC comparator level 3	V _{C3DC}	0.42	0.60	0.78	V	Pin 26 output
DC comparator level 2	V _{C2DC}	0.21	0.33	0.45	V	Pin 27 output
DC comparator level 1	V _{C1DC}	0.11	0.18	0.25	V	Pin 28 output

Notes: (1) The value given above for AC comparator level is measured after 0dB point adjustment.

(2) DC comparator level VC (n) DC (Max.) > VC (n+1) DC (Min.), but when the nth comparator is off, the (n+1)th comparator is never on.

● Measurement circuit

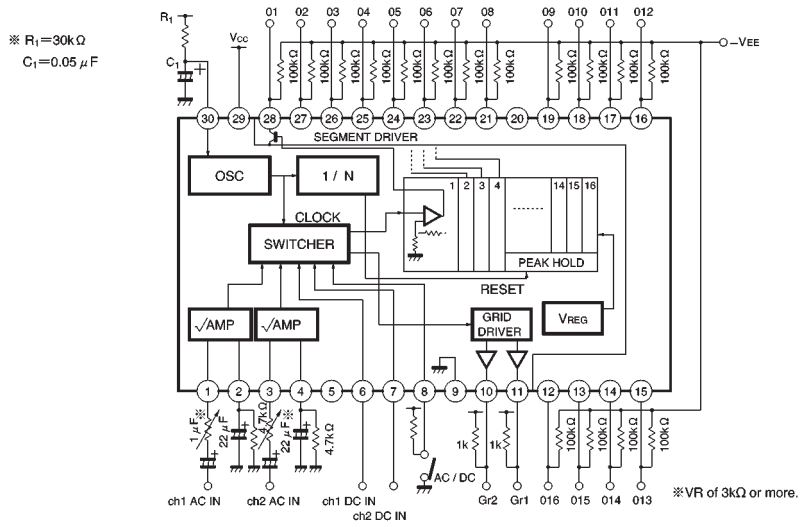


Fig. 1

● Application example

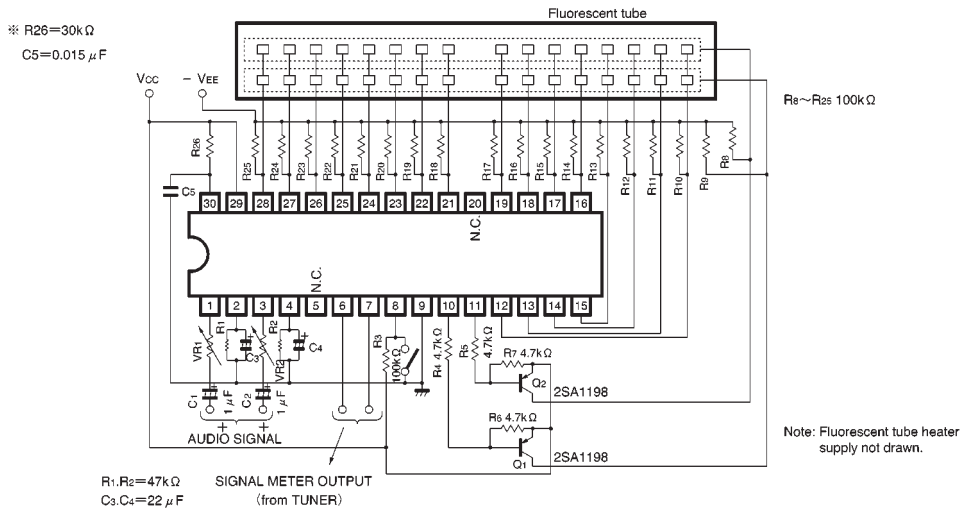


Fig. 2

● Circuit operation

(1) Input block

The AC input pins are pins 1 and 3, and the DC input pins are pins 6 and 7. Pin 8 is used to switch between the AC and DC inputs. When the input to pin 8 is "H", AC input is selected (pins 1 and 3). Therefore, by using pin 8 to switch between the AC and DC modes, the IC can do two jobs. For example, pins 1 and 3 can be used for audio signal input, and pins 6 and 7 can be used as the input for the signal meter output from a tuner (DC). The AC input impedance of pins 1 and 3 is a low 250Ω (typ.), so connect potentiometers (VR_1 and VR_2) in series with the inputs to adjust the sensitivity and ch1 and ch2 balance.

(2) Peak hold circuit

The BA6800AS features a peak hold circuit that temporarily holds peak signal levels in AC input mode. The peak hold function can be used with the upper 12 points (5 to 16). The peak hold time depends on the oscillator frequency. It is 2 sec. (typ.) for an oscillator frequency of 2kHz. DC mode does not have a peak hold function.

(3) Grid output

The pin 10 and 11 grid outputs are open-collector NPN transistors. The logic is active low (the fluorescent tube lights when the output is "L"), so connect two PNP transistors Q1 and Q2 as shown in the application example circuit to drive the fluorescent tubes (see Fig. 3).

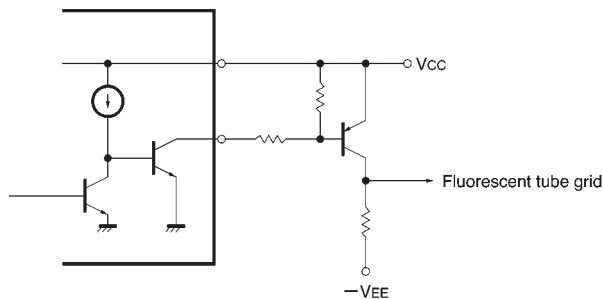


Fig. 3

(4) Segment output block

Pins 12 to 28 are the segment outputs. The output circuits are open-collector PNP transistors. When grid 1 is "L", the ch1 level is output (pin 1 or 6), and when grid 2 is "L", the ch2 level is output (pin 3 or 7). Refer to Fig. 4.

(5) Grid and segment output timing chart

The grid and segment output timing is shown in Fig. 5.

(6) Attack and release times

The response characteristic for AC input signals is set by resistor R_1 and capacitor C_3 for ch1 and resistor R_2 and capacitor C_4 for ch2 (pins 2 and 4). When $R_1 = 47k\Omega$ and $C_3 = 22\mu F$, the attack time is about 4ms, and the release time is about 1sec. (same for ch2).

Attack time : Time for the voltage on pins 2 and 4 to rise from 1V to 2.5V when the input goes from no input to 2.6Vrms, then back to no input.

Release time : Time for the voltage on pins 2 and 4 to fall from 2.5V to 1V when the input goes from 2.6Vrms to no input.

(7) Oscillator frequency

The resistor R_{26} and capacitor C_5 connected to pin 30 determine the oscillator frequency. The oscillator frequency (f_{osc}) and grid output period (T) are related as follows :

$$T \text{ (ms)} = 16 / f_{osc} \text{ (kHz)}$$

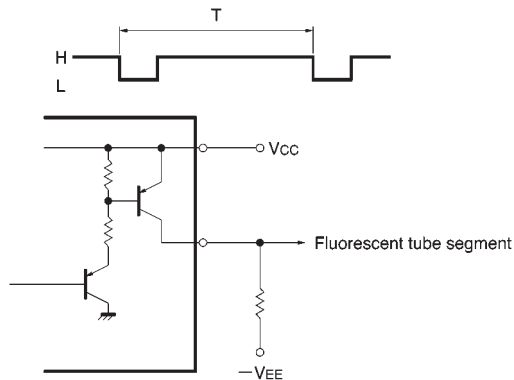


Fig. 4

●Timing chart

(when oscillator frequency is 2kHz)

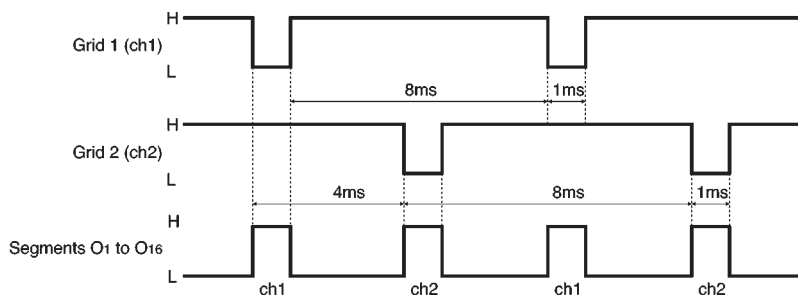


Fig. 5

●Attached components (refer to “Circuit operation”)

C_1 and C_2 : input coupling capacitors.

VR_1 and VR_2 : AC sensitivity adjustment and balance adjustment (3k Ω recommended).

C_3 , R_1 , C_4 and R_2 : set the response characteristics with respect to the AC input signal. In the example given, the attack time is about 4mS and the release time is about 1sec.

R_3 : Pullup resistor for the input switching terminal (pin 8).

R_6 and R_7 : resistor for the grid leak current path (I_{Gleak}). Set so that $I_{Gleak} \times R_6$ (R_7) < 0.6V.

R_4 and R_5 : base bias resistors for Q_1 and Q_2 .

Conditions for base bias current (I_B) flow are $V_{CC} = 5V$ and $V_F = 0.6V$:

$$\frac{R_4}{R_6} < \frac{5 - 0.6}{0.6} = 7.3$$

the base current is given by the following formula.

●Operation notes

(1) Adjust the potentiometers VR_1 and VR_2 (connected to pins 1 and 3) to adjust the 0dB input level and the dispersion of ch1 and ch2.

(2) The temperature characteristic for the lighting limit for the 16th LED is shown in Fig. 6.

$$I_B \text{ (mA)} \cong \frac{5 - 0.6}{R_4 \text{ (k}\Omega\text{)}} - \frac{0.6}{R_6 \text{ (k}\Omega\text{)}}$$

Set resistors R_4 and R_6 (R_5 and R_7) so that

$$I_B > \frac{\text{Fluorescent tube grid current}}{h_{FE}}$$

Q_1 and Q_2 : grid output inverting transistors. Use transistors for which $V_{CE0} > V_{CC} + V_{EE}$.

R_8 to R_{25} : Resistors that reverse bias the segments and grid when the fluorescent tube is not lit.

The application example given is for general cases. Select the resistors to suit the characteristics of the fluorescent tube used.

C_5 and R_{26} : set the oscillator frequency.

Capacitor C_5 should be a component with good temperature characteristics.

(3) The external resistor R_{26} connected to the oscillator (pin 30) should be in the range of 20k Ω and 100k Ω . If it is outside this range, oscillation may stop due to the influence of temperature (see Fig. 7).

●Electrical characteristics curves

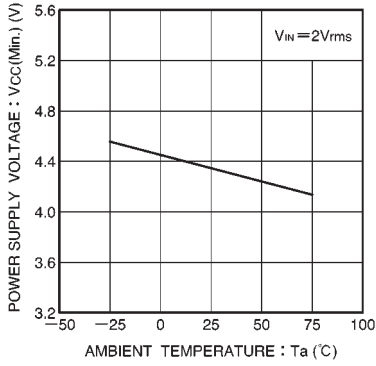


Fig. 6 16th point lighting limit power supply voltage vs. ambient temperature

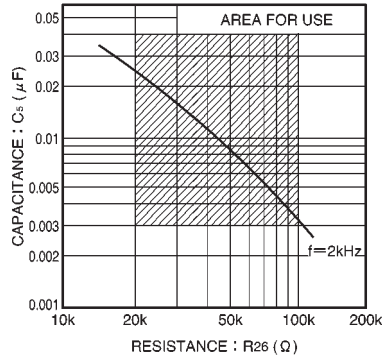


Fig. 7 Value of external components for oscillator (V_{CC} = 5.0V)

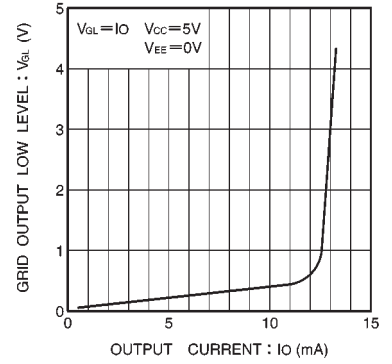


Fig. 8 Grid low level output vs. output current

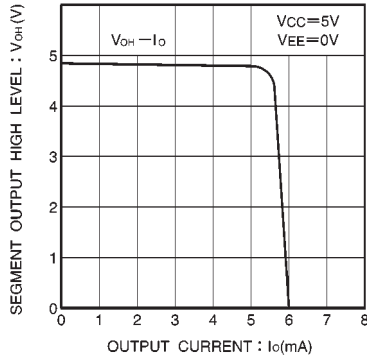


Fig. 9 Segment high level output vs. output current

●External dimensions (Units: mm)

