

3-phase motor driver

BA6871BS

The BA6871BS is a 3-phase, full-wave, pseudo-linear motor driver suited for VCR capstan motors. The IC has a torque ripple cancellation circuit to reduce wow and flutter, and an output transistor saturation prevention circuit that provides superb motor control over a wide range of current. The built-in motor power series regulator allows applications with low power consumption.

●Applications

3-phase VCR capstan motors

●Features

- 1) 3-phase, full-wave, pseudo-linear driver system.
- 2) High performance torque ripple cancellation circuit.
- 3) Reversal braking by detecting the motor direction.
- 4) Saturation prevention circuit for high- and low-side output transistors.
- 5) Motor power supply series regulators.
- 6) Built-in circuit for output-to-GND short-circuit detection.
- 7) Two FG amplifiers.
- 8) Available in a SDIP 32-pin power shrink package.

●Absolute maximum ratings (Ta=25°C)

Parameter	Symbol	Limits	Unit
Power supply	V _{CC1}	7	V
Power supply	V _M	36	V
Power supply	V _{CC2}	36	V
Power supply	AMP—V _{CC}	14	V
Power dissipation	P _d	1700*1	mW
Operating temperature	T _{opr}	-20~75	°C
Storage temperature	T _{stg}	-40~150	°C
Allowable output current	I _{opeak}	1.5*2	A
Input voltage	V _{IN}	-0.2~V _{CC}	V

*1 Reduce power by 13.6 mW for each degree above 25 °C.

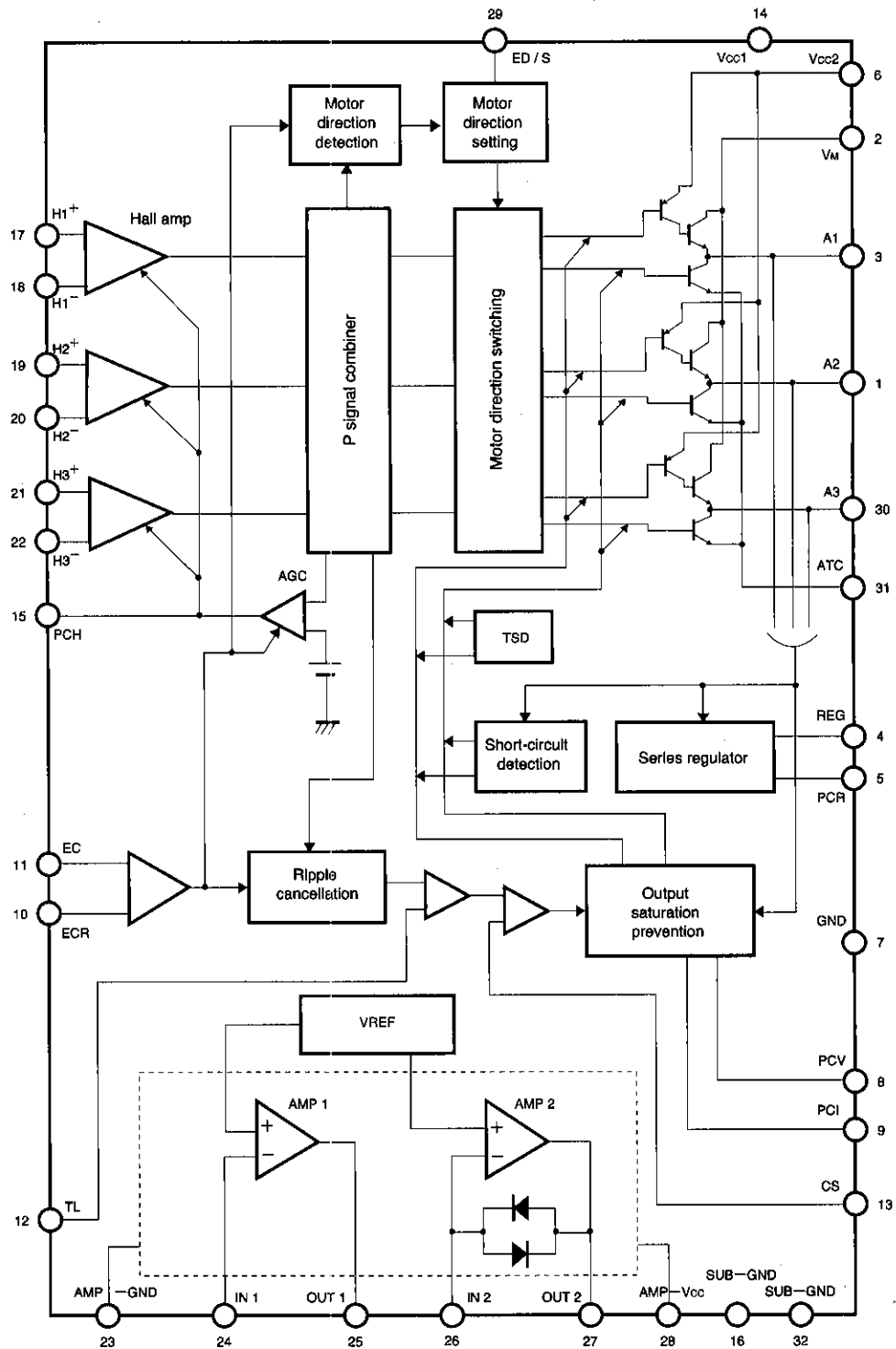
*2 Should not exceed P_d- or ASO-value.

●Recommended operating conditions (Ta=25°C)

Parameter	Symbol	Min.	Typ.	Max.	Unit
Operating power supply voltage	V _{CC1}	4	5	6	V
Operating power supply voltage	V _{CC2}	3	—	32	V
Operating power supply voltage	V _M	3	12	32	V
Operating power supply voltage	AMP—V _{CC}	4	12	13	V

⊙ Not designed for radiation resistance

● Block diagram



● Pin descriptions

Pin No.	Pin name	Function	No. of I/O circuits
1	A2	Motor output	1
2	V _M	Motor power supply	1
3	A1	Motor output	1
4	REG	Series regulator sink output	6
5	PCR	Series regulator phase compensation	6
6	V _{cc2}	Signal power supply 2	1
7	GND	Signal ground pin	
8	PCV	Phase compensation for preventing driver high-side saturation	
9	PCI	Phase compensation for preventing driver low-side saturation	
10	ECR	Torque control reference input	4
11	EC	Torque control signal input	4
12	TL	Torque limit	5
13	CS	Current sensing input	5
14	V _{cc1}	Signal power supply 1	
15	PCH	Hall amplifier AGC phase compensation	
16	SUB-GND	SUB ground pin, also serves as a radiation fin	
17	H1 ⁺	Hall signal input	2
18	H1 ⁻	Hall signal input	2
19	H2 ⁺	Hall signal input	2
20	H2 ⁻	Hall signal input	2
21	H3 ⁺	Hall signal input	2
22	H3 ⁻	Hall signal input	2
23	AMP-GND	FG amplifier ground pin	
24	IN1	FG amplifier 1 input	7
25	OUT1	FG amplifier 1 output	7
26	IN2	FG amplifier 2 input	7
27	OUT2	FG amplifier 2 output	7
28	AMP-V _{cc}	FG amplifier power supply	
29	ED / S	Forward/stop/reverse mode switching input	3
30	A3	Motor output	1
31	ATC	Driver ground pin	1
32	SUB-GND	SUB ground pin, also serves as a radiation fin	

● Input/output circuits

1. Driver output

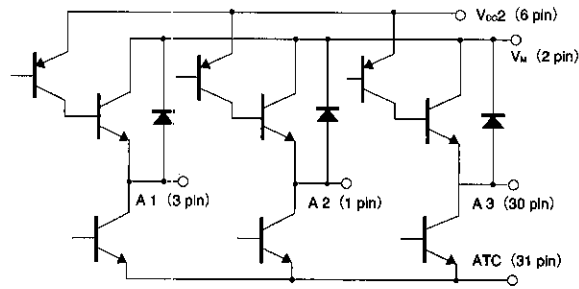


Fig. 1

2. Hall input

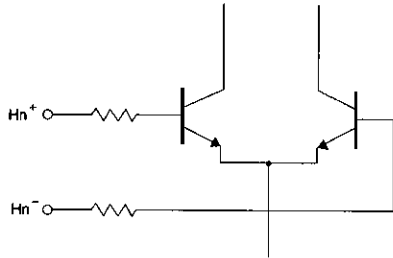


Fig. 2

3. ED/S

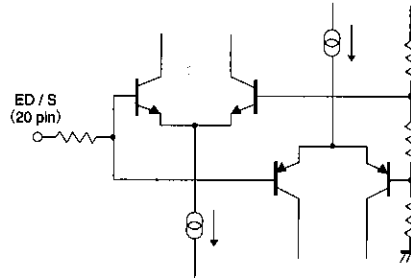


Fig. 3

4. Torque control input

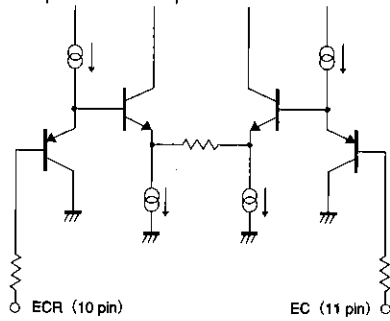


Fig. 4

5. Torque limit and current sensing

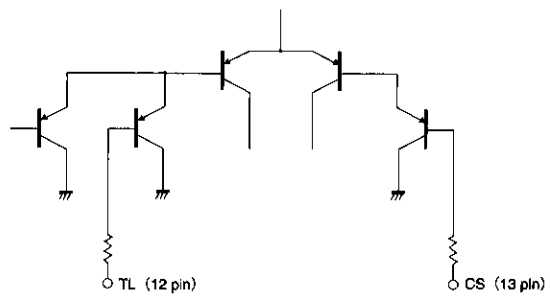


Fig. 5

6. Amplifier I/O

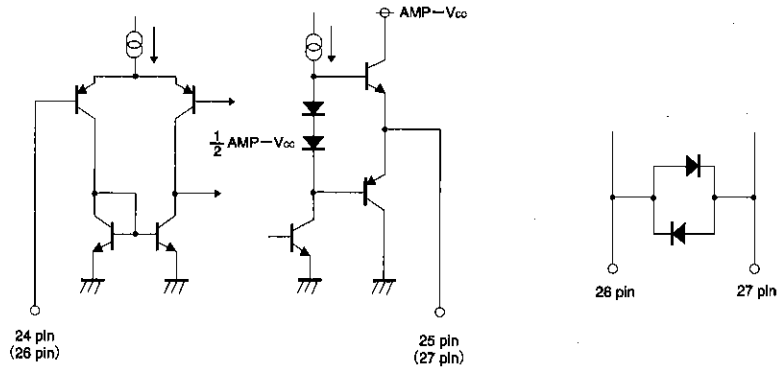


Fig. 6

●Electrical characteristics (unless otherwise noted, $T_a=25^\circ\text{C}$, $V_{CC1}=5\text{V}$, $V_M=V_{CC2}=12\text{V}$, $\text{AMP}-V_{CC}=12\text{V}$)

Parameter	Symbol	Min.	Typ.	Max.	Unit	Conditions
Circuit current	I_{CC}	—	10	16	mA	$E_c=E_{CR}$, ED / S=M, Input=L, L, H
Torque control voltage	E_c	1	—	4	V	E_c input range
Torque control voltage offset	E_{COfs}	-110	—	+110	mV	
Torque control dead zone	E_{CDZ}	50	—	170	mV	
Output idle voltage	E_{Cidle}	—	—	5	mV	Within the dead zone, ED/S = L
Output idle current	I_{Eidle}	—	—	2	mA	ED / S=M
Torque control I/O gain	G_{Io}	0.26	0.32	0.38	—	$E_c=2.2\rightarrow 2.1\text{ V}$, input = (L, L, H)
Forward ON voltage	ED / F	—	—	0.9	V	
Stop ON voltage	ED / S	1.3	—	3.0	V	
Reverse ON voltage	ED / R	3.5	—	—	V	
Hall input voltage	V_{HDC}	1.2	—	3.2	V	
Hall input conversion offset	H_{Eofs}	-10	—	+10	mV	
Hall input conversion offset differential	ΔH_{Eofs}	-15	—	+15	mV	
TL-CS offset	$TL-CS_{ofs}$	10	35	65	mV	
Ripple cancellation ratio	V_{RCC}	4.0	6.3	8.6	%	Input = (L, L, H) \rightarrow (L, M, H)
High-side output voltage	V_{OH}	0.9	1.3	1.70	V	$I_o=0.8\text{A}$
Low-side output voltage	V_{OL}	0.95	1.3	1.65	V	$I_o=0.8\text{A}$
Series regulator operating voltage	V_{REG}	V_M -0.70	V_M -0.95	V_M -1.2	V	$E_c=1.5\text{V}$, $V_M=V_{CC2}=15\text{V}$
Series regulator current capacity	I_{REG}	17	30	—	mA	$E_c=0\text{V}$, $V_{REG}=2\text{V}$
Short-circuit detection operating voltage	V_{off}	60	90	120	mV	
~FG amplifier~						
Circuit current	$\text{AMP}-I_{CC}$	—	1.1	3.0	mA	
Bias voltage	V_{BI}	5.3	6.2	6.8	V	
Input current (AMP1)	I_{IN}	—	0.5	5.0	μA	$V_{IN}=1.0\text{V}$
High-side output voltage (AMP1)	V_{OHA}	—	1.0	1.5	V	$I_o=-0.5\text{mA}$
Low-side output voltage (AMP1)	V_{OLA}	—	1.0	1.5	V	$I_o=-0.5\text{mA}$
Open loop gain 1	G_{V1}	50	—	—	dB	$f=1\text{kHz}$
Open loop gain 2	G_{V2}	28	—	—	dB	$f=20\text{kHz}$

● Circuit operation

(1) Pseudo-linear output and torque ripple cancellation

The IC generates a trapezoidal (pseudo-linear) output current, whose waveform phase is 30 degrees ahead of that of the Hall input voltage (Fig. 7).

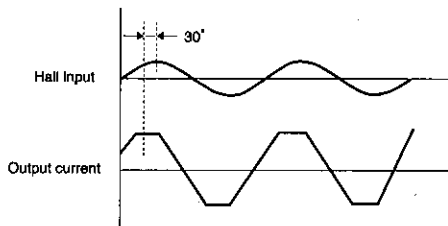


Fig. 7

The trapezoidal waveform of output current would create intermittence in the magnetic field generated by the 3-phase motor, and would result in an irregular rotation of the motor. To prevent this, the output waveform is obtained by superimposing a triangular wave on the trapezoidal wave (Fig. 7). This process is called torque ripple cancellation.

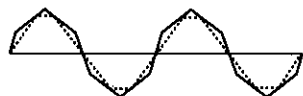


Fig. 8

(2) Torque control and reversal brake

The output current can be controlled by adjusting the voltage applied to the torque control pins (pins 10 and 11).

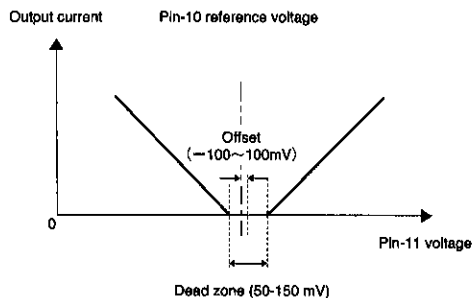


Fig. 9

These pins are the inputs to a differential amplifier. A reference voltage between 2.3~3.0V (2.5V recommended) is applied to pin 10.

A brake is applied to the motor as described in the following. When the motor is running, pin 11 is given a negative potential with respect to the reference potential. If the pin 11 potential becomes positive, the IC detects the rise of pin-11 potential above the reference potential and activates the motor direction detecting circuit.

The motor direction detecting circuit sends a signal to the motor direction setting circuit to reverse the motor direction. This causes a braking torque that depends on the pin 11 potential, so that the motor quickly reduces its speed. At the same time, the positive pin 11 potential is shifted to the reference potential, so that the motor stops smoothly.

(3) Output current sensing and torque limitation

Pin 31 is the ground pin for the output stage. To sense the output current, a resistor (0.5Ω recommended) is connected between pin 31 and the ground. The output current is sensed by applying the voltage developed across this resistor to pin 13 as a feedback.

The output current can be limited by adjusting the voltage applied to pin 12. The current is limited when pin 12 reaches the same potential as pin 13. The output current (I_{MAX}) under this condition is given by :

$$I_{MAX} = \frac{V_{12P} - (TL - CS_{ofs})}{R_{31P}}$$

where R_{31P} is the value of the resistor connected between pin 31 and the ground, V_{12P} is the voltage applied to pin 12, and $(TL - CS_{ofs})$ is the offset between the TL and CS pins.

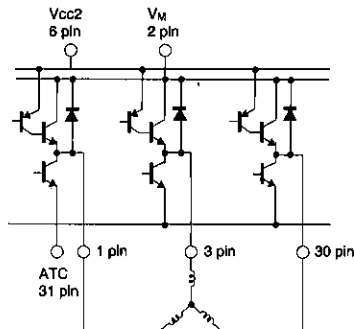


Fig.10 Output circuit

● Circuit operation

(4) Motor direction control (29 pin)

The motor mode is :

Forward when the pin 29 voltage is less than 0.9V,
 Stop when the voltage is between 1.3~3.0V,
 Reverse when the voltage is above 3.5V.

In the stop mode, high- and low-side output transistors are turned off, resulting in a high impedance state.

(5) Output transistor saturation prevention circuit

This circuit monitors the output voltage and maintain the operation of the output transistors below their saturation levels. Operating the transistors in the linear characteristic range provides good control over a wide range of current and good torque characteristics even during overloading.

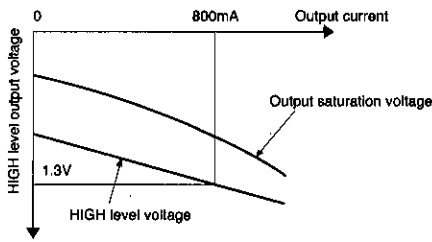


Fig.11 High level output voltage vs. output current (reference curves)

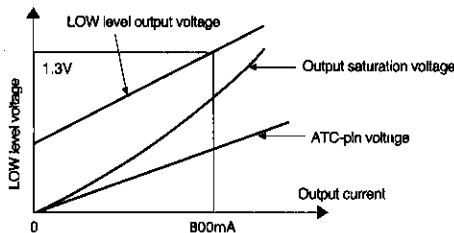


Fig.12 Low level output voltage vs. output current (reference curves)

(6) Series regulator

The BA6871BS has a series regulator output pin. The IC outputs a sink current according to the HIGH level output voltage detected.

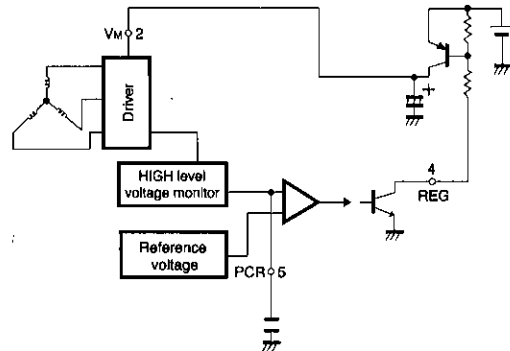


Fig.13

As shown in Fig. 13, the regulator circuit reduces the power consumed by the IC by reducing the collector-to-emitter (C-E) voltage of the driver transistors.

Nearly all the power dissipated by the IC is dissipated between the collectors and emitters of the output transistors. More power is consumed as the C-E voltage increases and as the output current increases.

The output transistor C-E voltage is equal to the difference between the supply voltage and the voltage applied to the motor. Because the voltage across the motor decreases with decreasing drive current, the C-E voltage must increase if the supply voltage is fixed.

Therefore, to improve the efficiency of the driver and to prevent the power rating of the IC being exceeded, the supply voltage must be varied in response to changes in the output current. The supply voltage is decreased at low current and increased at high current so that no excessive voltage is applied between the transistor collectors and emitters.

(7) Output-to-ground short-circuit detection

The motor output pins of the IC may be short-circuited to the ground by some fault conditions. A short-circuited output can destroy the output transistors because of excessive current, excessive voltage, or both. Even when a short-circuit condition does not completely destroy the device, it can still cause extreme overheating. To prevent this, the BA6871BS contains a short-circuit detection circuit that turns off the motor drive current if the output-to-ground potential becomes abnormally low.

● Application example

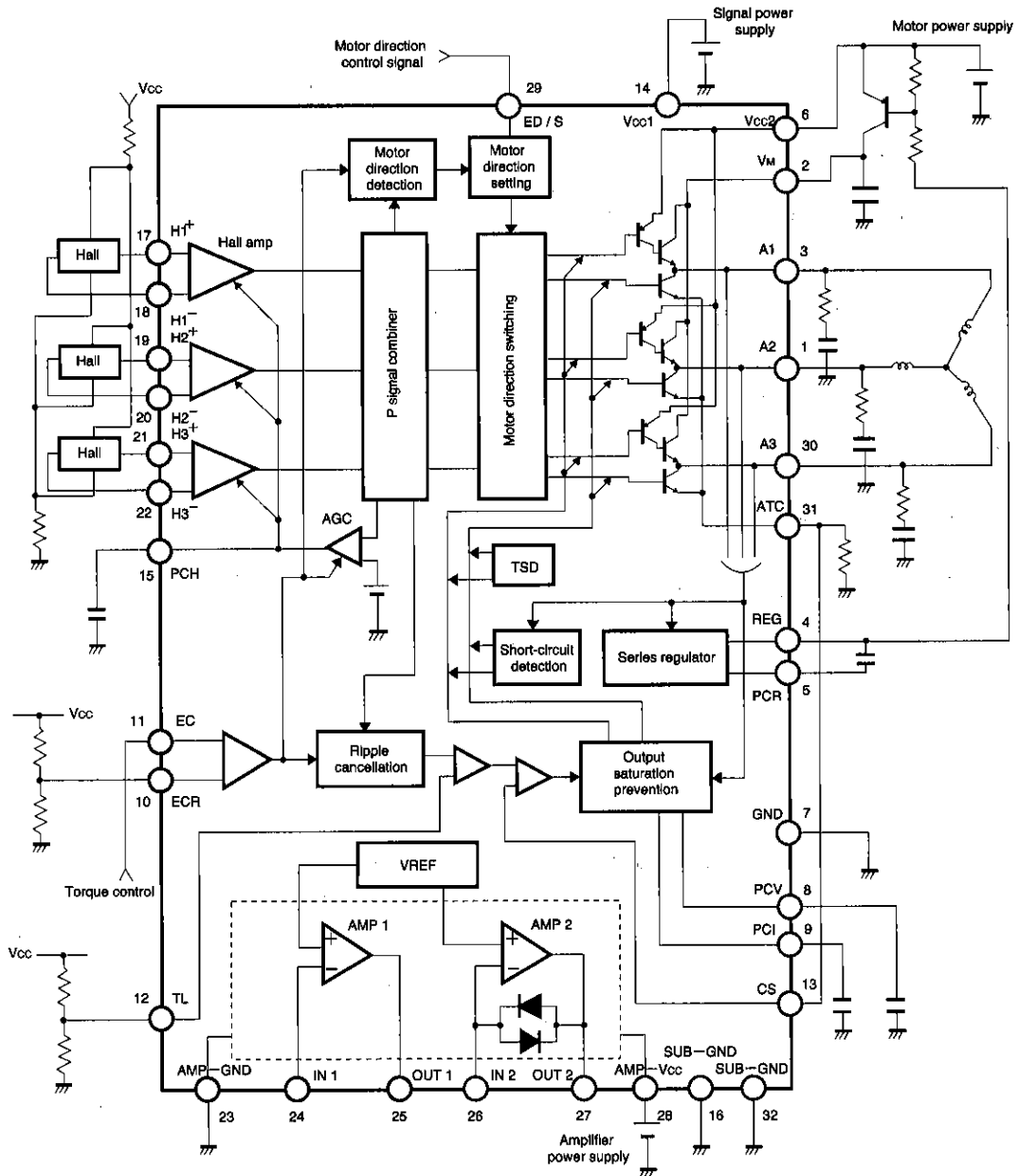


Fig.14

Three-Phase Full-Wave Motor Drivers for Capstan Motors

Motor driver ICs

Motor Drivers for VCRs

●Operation notes

The BA6871BS has two thermal shutdown circuits (TSD1 and TSD2) to protect the IC. The typical shutdown temperatures are 175°C for TSD1 and 215°C for TSD2.

When the TSD1 is activated at an elevated chip temperature, the output pins (pins 1, 3, and 30) are set to the open state. TSD1 is functional against excessive power dissipation, output short-circuiting, and other irregularities in the output current, but does not work against overheating caused by high internal currents due to externally caused IC damage or pin-to-pin short-circuiting.

When TSD2 is activated at a higher chip temperature, the high- and low-side output transistors are turned on,

and the internal resistance between the motor power supply pin (2 pin) and the output ground pin (31 pin) drops to less than 3 Ω. The motor power supply current (I_M) is then given by

$$I_M = \frac{V_M [V]}{R_M + R_{31P} + 3 [\Omega]}$$

where

I_M is the motor supply current

V_M is the motor supply voltage,

R_M is the motor power supply output resistance,

R_{31P} is the pin-31 resistance.

In your application, make sure to connect between the motor power supply and pin 2 a circuit breaker that operates at currents less than I_M .

●Electrical characteristic curves

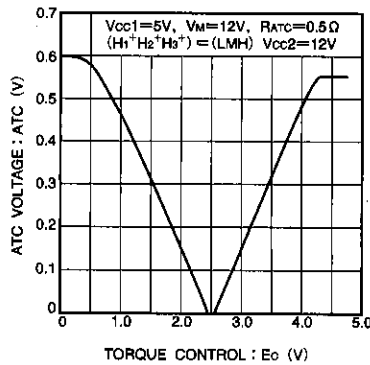


Fig. 15 Output voltage vs. Torque control voltage (I)

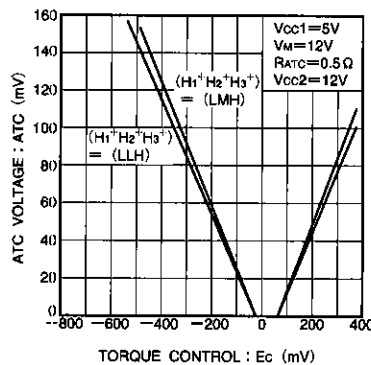


Fig. 16 Output voltage vs. Torque control voltage (II)

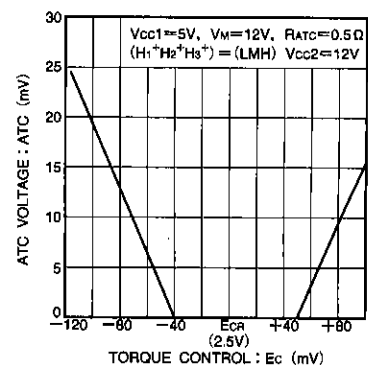


Fig. 17 Output voltage vs. Torque control voltage (III)

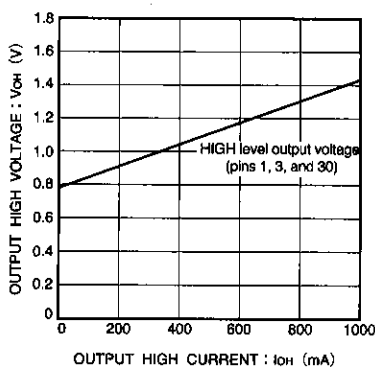


Fig. 18 High level output voltage vs. High level output current

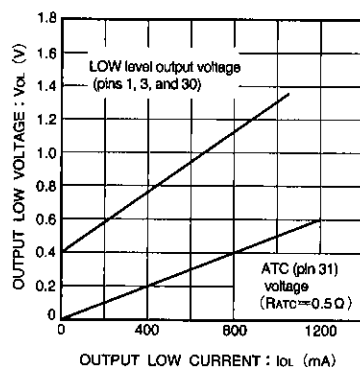


Fig. 19 Low level output voltage vs. Low level output current

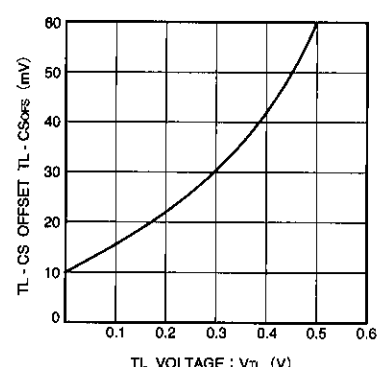


Fig. 20 TL-CS offset vs. VTL voltage

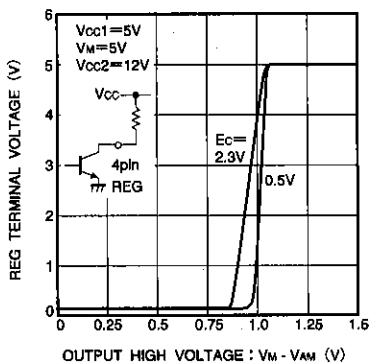


Fig.21 REG-pin voltage vs. High level output voltage

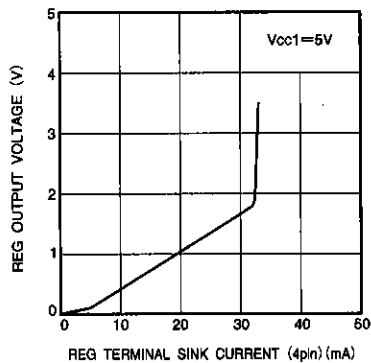


Fig.22 REG-pin output voltage vs. REG-pin sink current

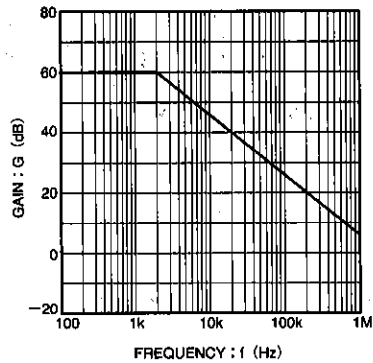


Fig.23 Gain vs. frequency for the FG amplifier

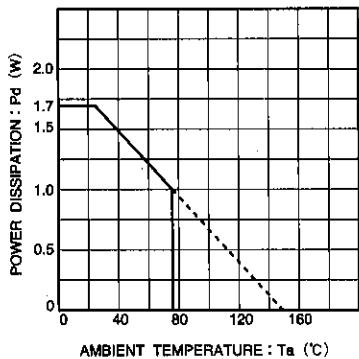
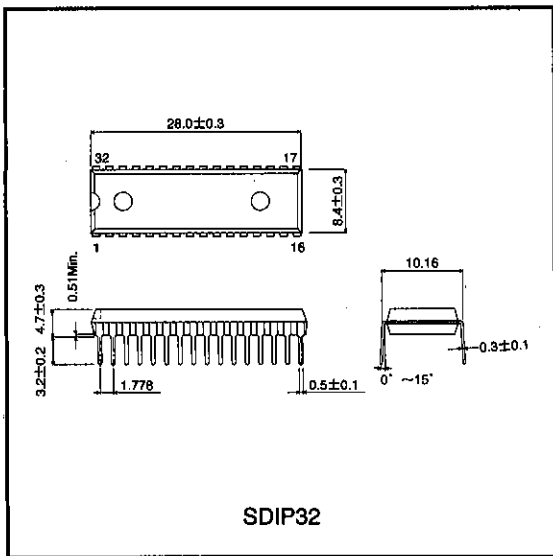


Fig.24 Power dissipation curve

● External dimensions (Units: mm)



Notes

- The contents described in this catalogue are correct as of March 1997.
- No unauthorized transmission or reproduction of this book, either in whole or in part, is permitted.
- The contents of this book are subject to change without notice. Always verify before use that the contents are the latest specifications. If, by any chance, a defect should arise in the equipment as a result of use without verification of the specifications, ROHM CO., LTD., can bear no responsibility whatsoever.
- Application circuit diagrams and circuit constants contained in this data book are shown as examples of standard use and operation. When designing for mass production, please pay careful attention to peripheral conditions.
- Any and all data, including, but not limited to application circuit diagrams, information, and various data, described in this catalogue are intended only as illustrations of such devices and not as the specifications for such devices. ROHM CO., LTD., disclaims any warranty that any use of such device shall be free from infringement of any third party's intellectual property rights or other proprietary rights, and further, assumes absolutely no liability in the event of any such infringement, or arising from or connected with or related to the use of such devices.
- Upon the sale of any such devices; other than for the buyer's right to use such devices itself, resell or otherwise dispose of the same; no express or implied right or license to practice or commercially exploit any intellectual property rights or other proprietary rights owned or controlled by ROHM CO., LTD., is granted to any such buyer.
- The products in this manual are manufactured with silicon as the main material.
- The products in this manual are not of radiation resistant design.

The products listed in this catalogue are designed to be used with ordinary electronic equipment or devices (such as audio-visual equipment, office-automation equipment, communications devices, electrical appliances, and electronic toys). Should you intend to use these products with equipment or devices which require an extremely high level of reliability and the malfunction of which would directly endanger human life (such as medical instruments, transportation equipment, aerospace machinery, nuclear-reactor controllers, fuel controllers, or other safety devices) please be sure to consult with our sales representatives in advance.

- Notes when exporting
 - It is essential to obtain export permission when exporting any of the above products when it falls under the category of strategic material (or labor) as determined by foreign exchange or foreign trade control laws.
 - Please be sure to consult with our sales representatives to ascertain whether any product is classified as a strategic material.