

5-channel BTL driver for CD and MD Players

BA6996FP

The BA6996FP, an IC designed for CD and MD players, has a 5-channel BTL power driver and a standard operational amplifier. The spindle and tray driver share a single output buffer, and are specified with a control pin. In addition, the internal level shift circuit reduces the number of attached components.

●Applications

CD players, CD-ROM drives, MD players and other optical disc devices

●Features

- 1) A 5-channel BTL driver in a HSOP 28-pin package, allowing for application miniaturization.
- 2) Five drivers are turned on and off according to the combination of control pin logic.
- 3) The tray driver operates even when the servo power supply drops.
- 4) Internal thermal shutdown circuit.
- 5) Gain is adjustable with an attached resistor.
- 6) Internal standard operational amplifier.
- 7) Supports low-voltage servos.

●Absolute maximum ratings (Ta=25°C)

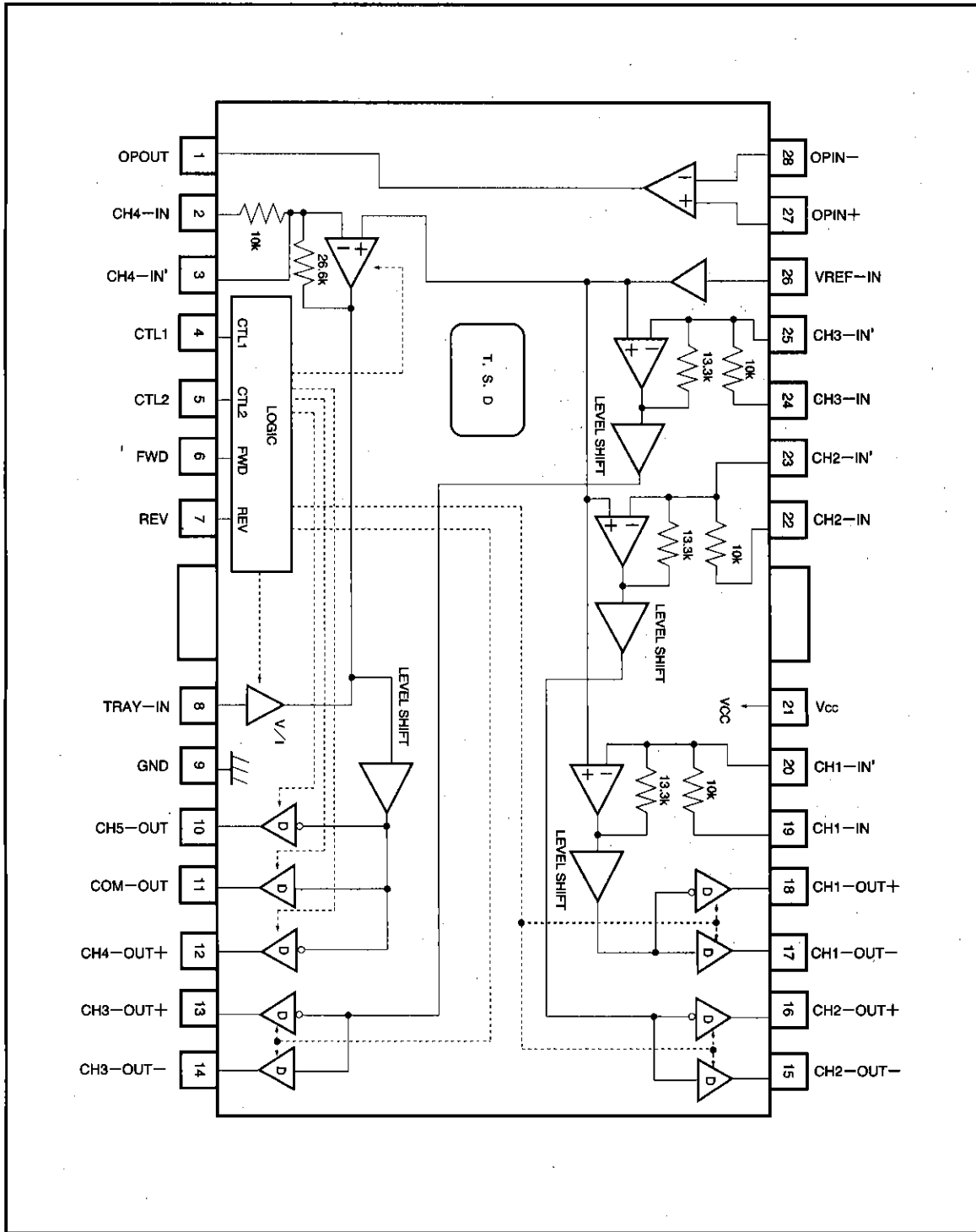
Parameter	Symbol	Limits	Unit
Power supply voltage	V _{cc}	18	V
Power dissipation	P _d	1.7*	W
Operating temperature range	T _{opr}	-35~85	°C
Storage temperature range	T _{stg}	-55~150	°C

* When mounted to a 50 × 50 × 1mm paper phenol PCB board.
Reduced by 13.6 mW for each increase in Ta of 1°C over 25°C.

●Recommended operating conditions (Ta=25°C)

Parameter	Symbol	Min.	Typ.	Max.	Unit
Power supply voltage	V _{cc}	4.8	—	12	V

● Block diagram



CD/CD-ROM Drivers (5~6 channels)

For CDs/CD-ROMs

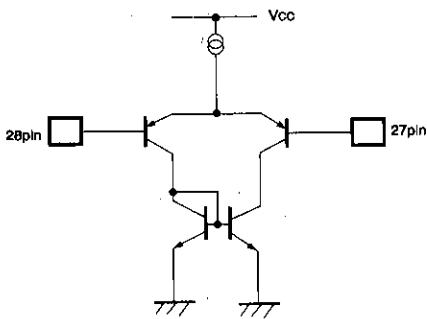
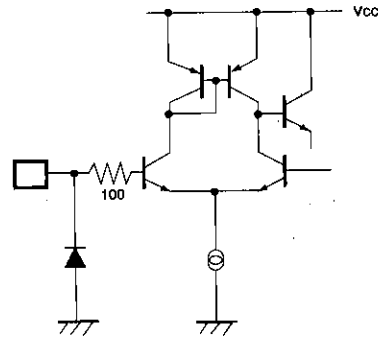
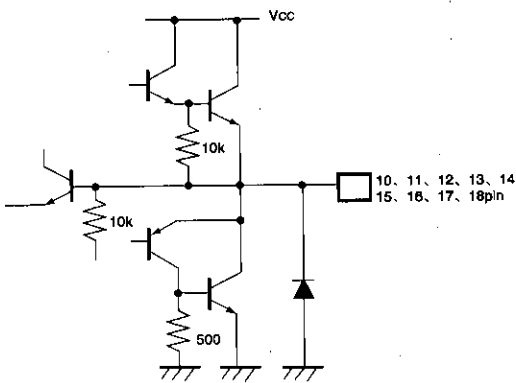
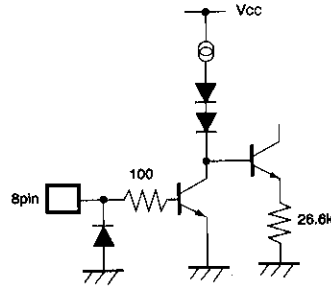
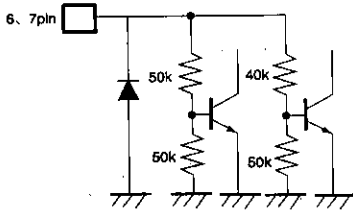
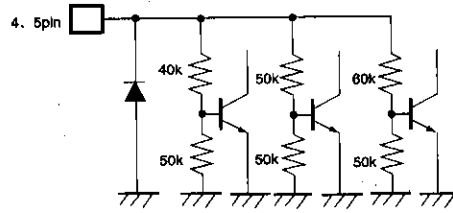
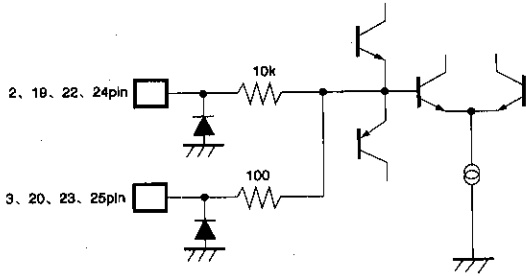
Optical Disc ICs

● Pin descriptions

Pin No.	Pin name	Function
1	OPOUT	Operational amplifier output
2	CH4-IN	Channel 4 input
3	CH4-IN'	Channel 4 gain adjustment input
4	CTL1	Control 1 input
5	CTL2	Control 2 input
6	FWD	Tray forward input
7	REV	Tray reverse input
8	TRAY-IN	Tray input
9	GND	Substrate ground
10	CH5-OUT-	Tray negative output
11	COM-OUT	Tray positive output/channel 4 negative output
12	CH4-OUT+	Channel 4 positive output
13	CH3-OUT+	Channel 3 positive output
14	CH3-OUT-	Channel 3 negative output
15	CH2-OUT-	Channel 2 negative output
16	CH2-OUT+	Channel 2 positive output
17	CH1-OUT-	Channel 1 negative output
18	CH1-OUT+	Channel 1 positive output
19	CH1-IN	Channel 1 input
20	CH1-IN'	Channel 1 gain adjustment input
21	Vcc	Vcc
22	CH2-IN	Channel 2 input
23	CH2-IN'	Channel 2 gain adjustment input
24	CH3-IN	Channel 3 input
25	CH3-IN'	Channel 3 gain adjustment input
26	VREF-IN	Bias amplifier input
27	OPIN+	Operational amplifier non-inverted input
28	OPIN-	Operational amplifier inverted input

* Positive output and negative output indicate polarity relative to input. (For instance, pin 18 output is HIGH when pin 19 output is LOW.)

● Input/output circuits



CD/CD-ROM Drivers (5~6 channels)

For CDs/CD-ROMs

●Electrical characteristics (Unless otherwise noted, Ta=25°C, Vcc=8V, f=1kHz, RL=8Ω)

Parameter	Symbol	Min.	Typ.	Max.	Unit	Conditions
Quiescent current	Icc	8.5	11.5	14.5	mA	No load
Output voltage 1, offset	Voo	-40	-	40	mV	CH1~CH3
Output voltage 2, offset	Voo	-100	-	100	mV	CH4
Maximum output pin voltage 1	VOHD1	3.7	4.3	-	V	Vin=Vcc
Maximum output pin voltage 2	VOHD2	-	-4.3	-3.7	V	Vin=GND
Closed loop voltage gain 1	GVC1	6.5	8.0	9.5	dB	Vin=0.1Vrms, 1kHz (excluding CH4)
Closed loop voltage gain 2	GVC2	11.5	14.0	16.5	dB	Vin=0.1Vrms, 1kHz (CH4)
Ripple rejection	RR	-	60	-	dB	Vin=0.1Vrms, 100Hz
Slew rate	SR	-	2.0	-	V/μS	100 Hz square wave, 3 Vp-p output
〈Tray driver〉						
Output voltage F	VOF	2.5	3.0	3.5	V	Pin 8 voltage = 3 V
Output voltage R	VOR	-3.5	-3.0	-2.5	V	Pin 8 voltage = 3 V
Output voltage range F	VOMF	3.7	4.3	-	V	Pin 8 voltage = 5 V
Output voltage range = R	VOMR	-	-4.3	-3.7	V	Pin 8 voltage = 5 V
Load regulation F	ΔVFI	-	250	500	mV	IL = 100-400 mA, pin 8 voltage = 2.5 V
Load regulation R	ΔVRI	-	250	500	mV	IL = 100-400 mA, pin 8 voltage = 2.5 V
Line regulation F	ΔVFL	-	300	600	mV	Vcc=5V~12V
Line regulation R	ΔVRL	-	300	600	mV	Vcc=5V~12V
Output voltage, offset	VOOL	-50	-	50	mV	Braking, output voltage
〈Logic: CT1, CTL2, FWD and REV〉						
Input voltage, high level	VIH	2.0	-	8.0	V	Maximum: Vcc
Input voltage, low level	VIL	-0.3	-	0.5	V	
Input current, high level	IiH	-	-	500	μA	
Input current, low level	IiL	-	-	500	μA	
〈Operational amplifier〉						
Offset voltage	VOFOP	-5	0	5	mV	
Input bias current	IBIAS	-	-	300	nA	
Output voltage, high level	VOHOP	6.0	-	-	V	
Output voltage, low level	VOLOP	-	-	1.1	V	
Output drive current (source)	IosO	10	40	-	mA	GND at 50Ω
Output drive current (sink)	IosI	10	50	-	mA	Vcc at 50Ω
Open loop voltage gain	Gvo	-	78	-	dB	Vin=-75dBV, 1kHz
Slew rate	SRop	-	1	-	V/μS	100 Hz square wave, 4 Vp-p output
Ripple rejection	RRop	-	65	-	dB	Vin=0.1Vrms, 100Hz
Synchronous signal rejection	CMRR	-	84	-	dB	Vin=0.1Vrms, 1kHz

© Not designed for radiation resistant.

● Measurement circuit

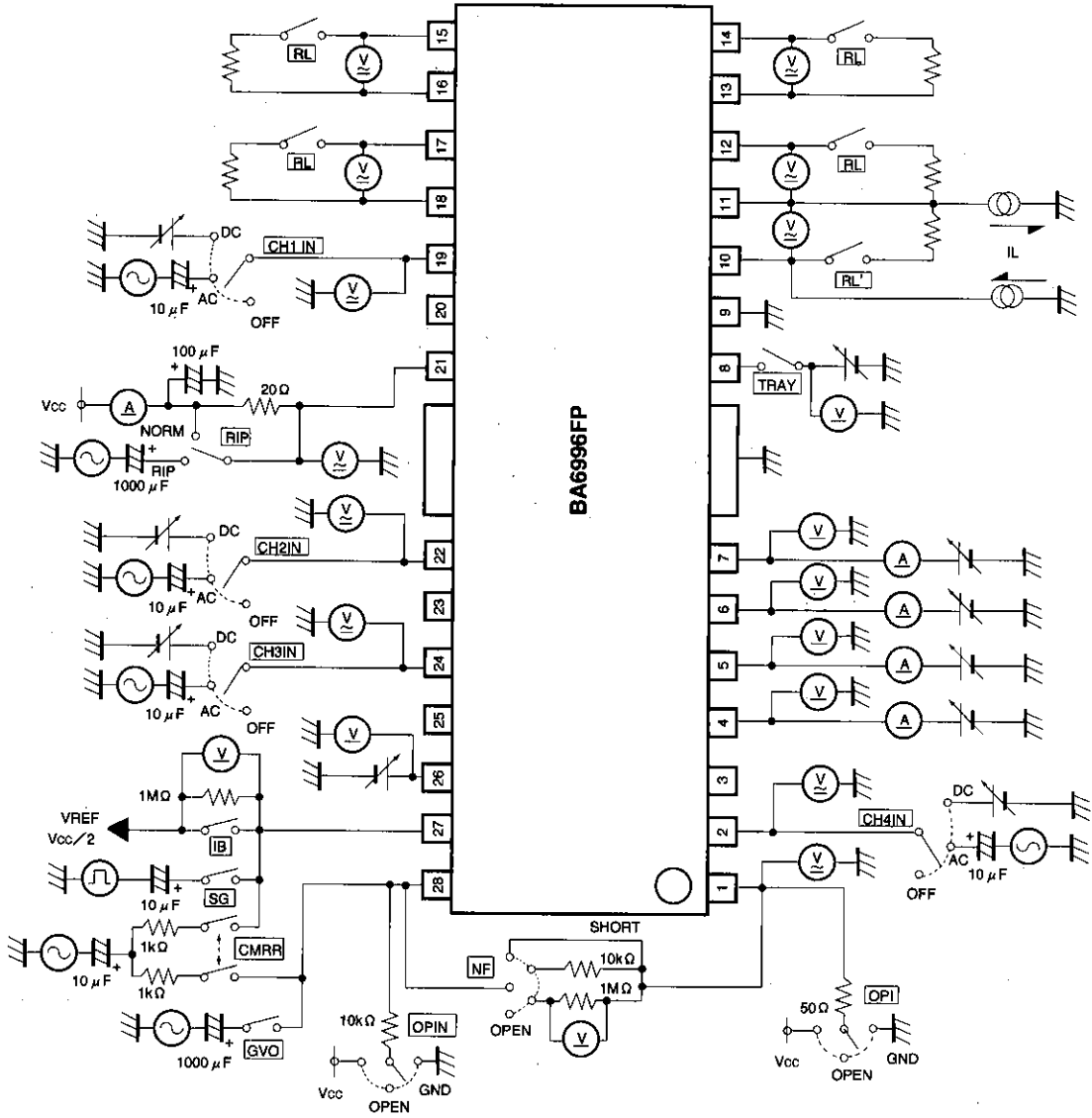
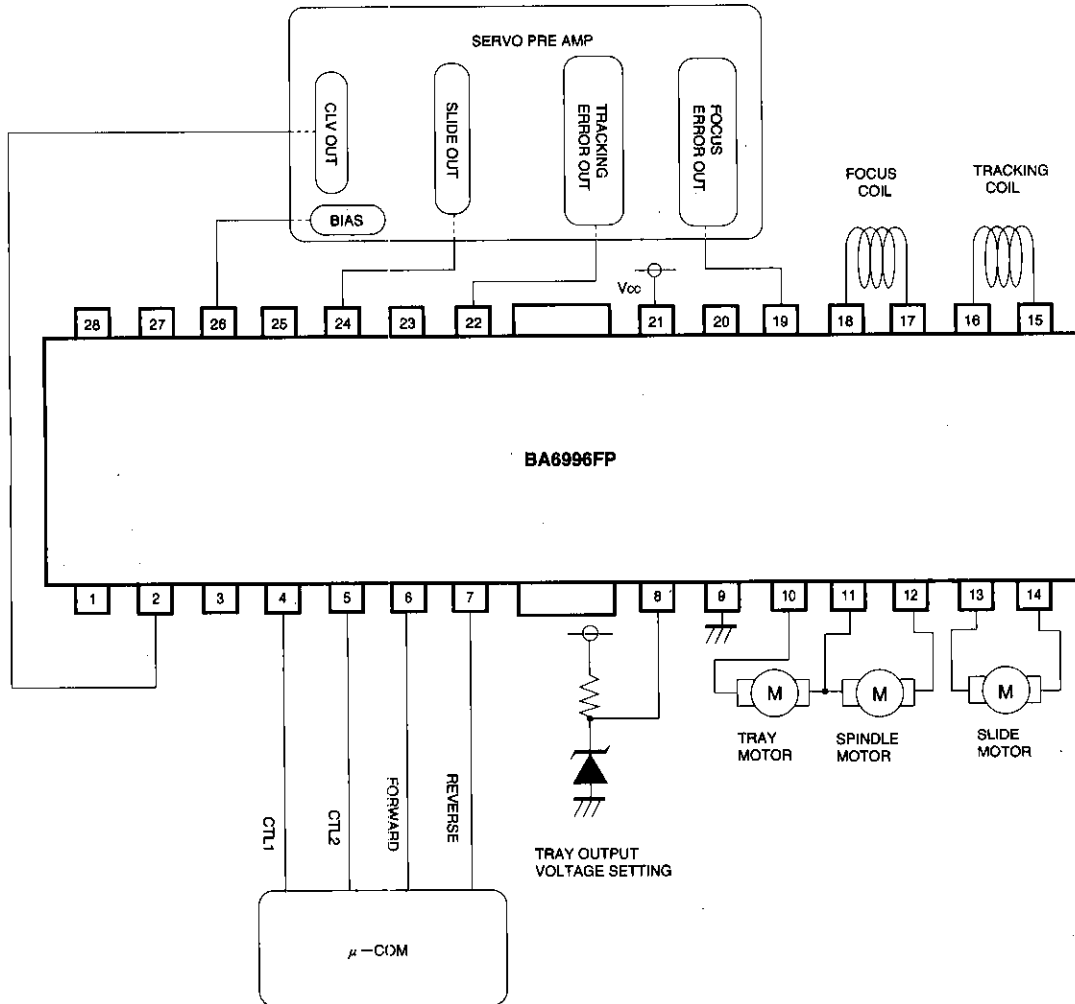


Fig. 1

● Application example



● Operation notes

(1) Setting the tray motor driver voltage (forward mode)

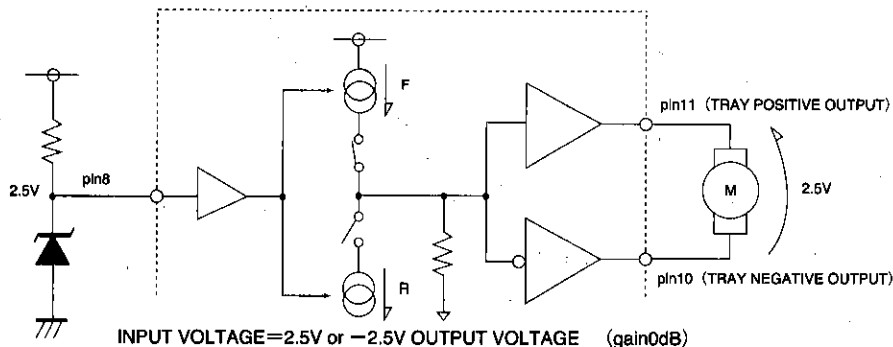


Fig. 3

Note: The tray driver will not exceed the power supply's maximum output voltage, even if set above this maximum voltage (refer to the following page). The example above applies only when setting below the maximum output voltage. Maximum output voltage for the power supply can be output by pulling up the tray input pin (pin 8) or by connecting it to Vcc.

(2) Mute functions

Mute function	Muted channels
Thermal shutdown	All channels
Muting during supply voltage drop	All channels
Muting during bias voltage drop	CH1~CH4

《 Thermal shutdown 》

The output current is muted when the chip temperature exceeds 175°C (typically).

《 Supply voltage drop muting 》

The internal circuits turn off when the supply voltage drops below 4.3V (typically), and turn on again when it rises above 4.5V (typically).

- (3) Muting occurs during thermal shutdown and when the supply voltage or bias pin voltage drops. In each case, only the driver is muted. The output pin voltage during muting is the internal bias voltage, roughly $V_{CC} - V_F / 2$.
- (4) Be sure to connect the IC to a 0.1 μF bypass capacitor to the power supply, at the base of the IC.
- (5) Connect the radiating fin to an external ground.

CD/CD-ROM Drivers (5~6 channels)

For CDs/CD-ROMs

● Electrical characteristic curves

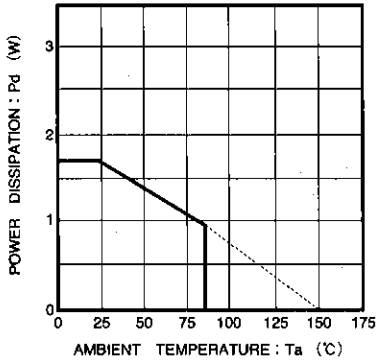


Fig. 4 Thermal derating curve

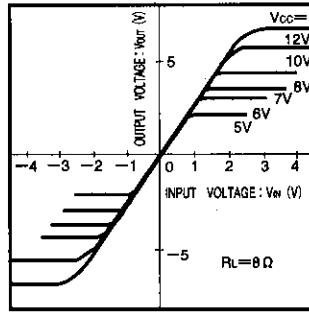


Fig. 5 Driver CH1-3 I/O characteristics (when changing power supply voltage)

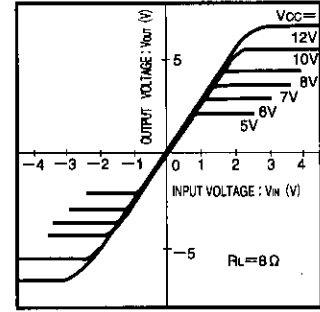


Fig. 6 Driver CH4 I/O characteristics (when changing power supply voltage)

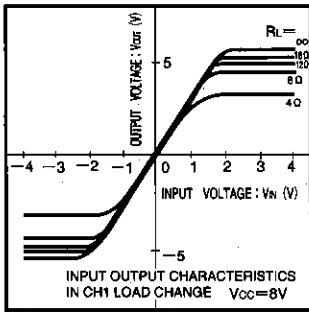


Fig. 7 Driver CH1-3 I/O characteristics (when load changes)

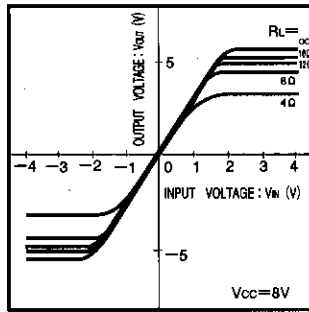


Fig. 8 Driver CH4 I/O characteristics (when load changes)

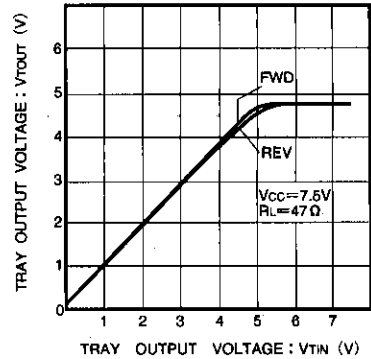


Fig. 9 Tray driver I/O characteristics

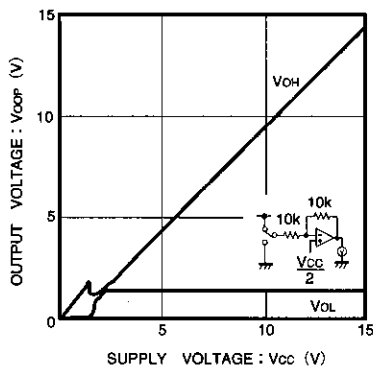


Fig. 10 Supply voltage vs. HIGH/LOW output voltage

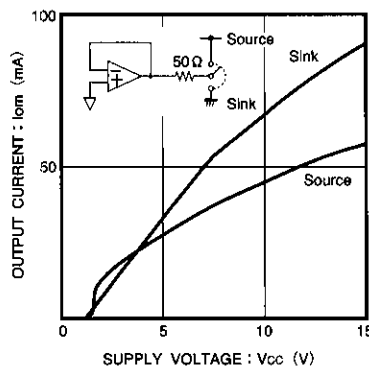
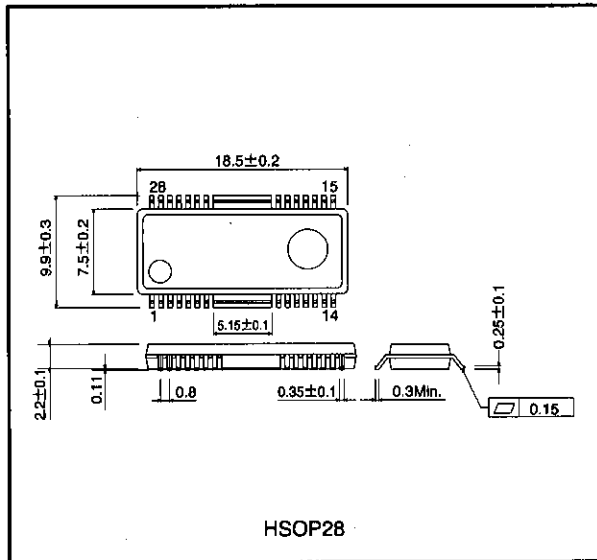


Fig. 11 Supply voltage vs. operational amplifier output operating current

● External dimensions (Units: mm)



CD/CD-ROM Drivers (5~6 channels)

For CDs/CD-ROMs

Notes

- The contents described in this catalogue are correct as of March 1997.
- No unauthorized transmission or reproduction of this book, either in whole or in part, is permitted.
- The contents of this book are subject to change without notice. Always verify before use that the contents are the latest specifications. If, by any chance, a defect should arise in the equipment as a result of use without verification of the specifications, ROHM CO., LTD., can bear no responsibility whatsoever.
- Application circuit diagrams and circuit constants contained in this data book are shown as examples of standard use and operation. When designing for mass production, please pay careful attention to peripheral conditions.
- Any and all data, including, but not limited to application circuit diagrams, information, and various data, described in this catalogue are intended only as illustrations of such devices and not as the specifications for such devices. ROHM CO., LTD., disclaims any warranty that any use of such device shall be free from infringement of any third party's intellectual property rights or other proprietary rights, and further, assumes absolutely no liability in the event of any such infringement, or arising from or connected with or related to the use of such devices.
- Upon the sale of any such devices; other than for the buyer's right to use such devices itself, resell or otherwise dispose of the same; no express or implied right or license to practice or commercially exploit any intellectual property rights or other proprietary rights owned or controlled by ROHM CO., LTD., is granted to any such buyer.
- The products in this manual are manufactured with silicon as the main material.
- The products in this manual are not of radiation resistant design.

The products listed in this catalogue are designed to be used with ordinary electronic equipment or devices (such as audio-visual equipment, office-automation equipment, communications devices, electrical appliances, and electronic toys). Should you intend to use these products with equipment or devices which require an extremely high level of reliability and the malfunction of which would directly endanger human life (such as medical instruments, transportation equipment, aerospace machinery, nuclear-reactor controllers, fuel controllers, or other safety devices) please be sure to consult with our sales representatives in advance.

- Notes when exporting
 - It is essential to obtain export permission when exporting any of the above products when it falls under the category of strategic material (or labor) as determined by foreign exchange or foreign trade control laws.
 - Please be sure to consult with our sales representatives to ascertain whether any product is classified as a strategic material.