

Synchronization Signal Processor for High Definition Displays

BA7078S

The BA7078S is a synchronization signal processing LSI chip designed for multiscan high-definition displays. It generates a synchronization signal and clamp pulse for three types of input signals : separate synchronization, composite synchronization, and synchronization on video.

●Applications
CRT displays

●Features

- 1) Operates on a single 5V power supply, with low power consumption.
- 2) Synchronization signal existence and polarity detection output.
- 3) Adjustable clamp pulse width, allowing for the selection of front or back editing.
- 4) Vertical synchronization separation is based on horizontal frequency tracking, for separation starting at 1H.
- 5) Minimal attached components.

●Absolute maximum ratings (Ta=25°C)

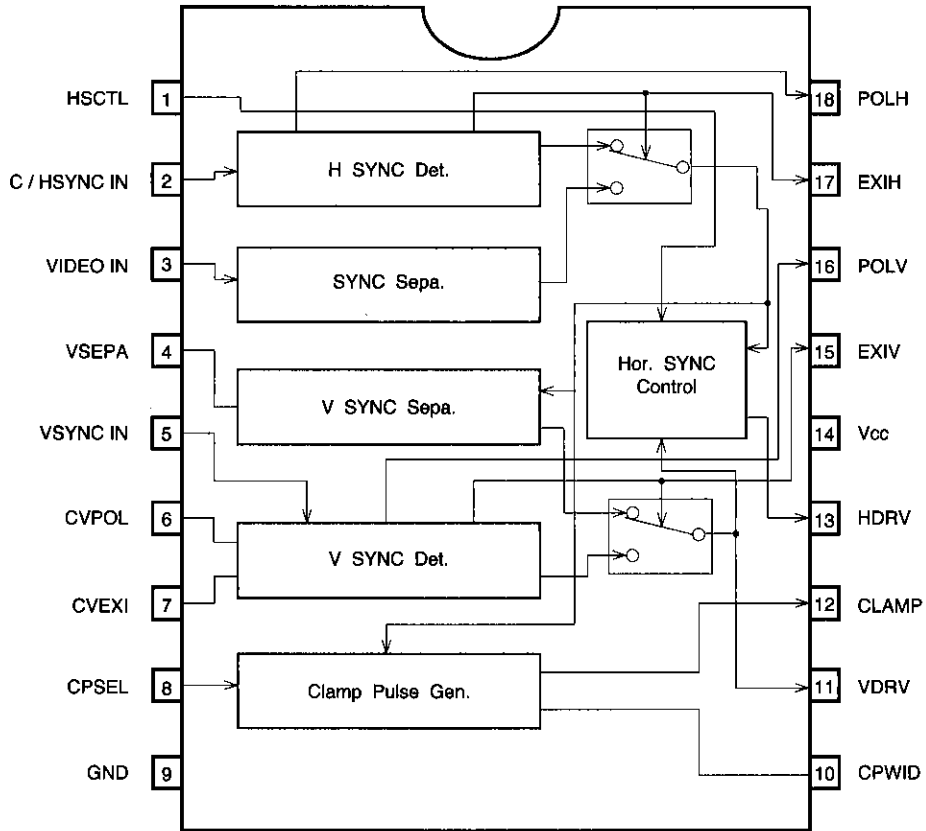
Parameter	Symbol	Limits	Unit
Power supply voltage	V	7.0	V
Power dissipation	Pd	600	mW
Operating temperature	Topr	-25~+75	°C
Storage temperature	Tstg	-55~+125	°C

* Reduced by 6 mW for each increase in Ta of 1°C over 25°C.

●Recommended operating conditions (Ta=25°C)

Parameter	Symbol	Min.	Typ.	Max.	Unit
Power supply voltage	Vcc	4.5	5.0	5.5	V

●Block diagram



Synchronous separator and detector for monitors

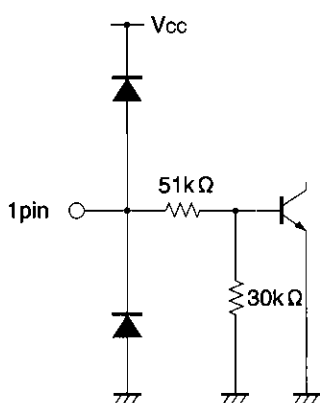
Personal computers

● Pin description

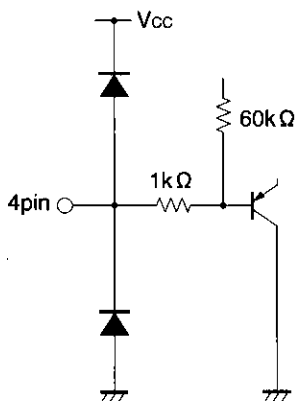
Pin No.	Pin name		Function
1	HSCTL	HDRV output	Used to select whether to output the VDRV section of the HDRV output signal. High: VDRV section of HDRV is output Low: VDRV section of HDRV is not output
2	CHSYNC IN	Composite sync/H SYNC input	Inputs either the composite synchronization signal or the horizontal synchronization signal. Input is clamped, and is initiated by capacitor coupling.
3	VIDEO IN	SYN ON VIDEO input	Inputs the SYNC ON VIDEO signal (green). Input is sink chip clamped. Input is initiated by capacitor coupling.
4	VSEPA	f-V conversion	Converts the horizontal synchronization signal frequency into a voltage. The voltage generated is proportional to the frequency of the horizontal synchronization signal. Attach a 0.56 μ F capacitor between the ground pins.
5	VSYNCIN	VSYNC input	Inputs the vertical synchronization signal.
6	CVPOL	Vertical polarity integration	Integrates the vertical synchronization signal polarity detection circuit. Attach a 1.5 μ F capacitor between this pin and the ground.
7	CVEXI	Vertical existence integration	Integrates the vertical synchronization signal existence detection circuit. Attach a 1 μ F capacitor between this pin and the ground.
8	CPSEL	Setting the clamp position	Used to set the clamp pulse generation position to either the front or back edge of HSYNC High: The front edge is the generation position Open : Composite/H SYNC IN: The front edge is the generation position VIDEO IN: The back edge is the generation position Low: The back edge is the generation position
9	GND	Ground	
10	CPWID	Setting the clamp pulse width	Sets the clamp pulse width according to the attached time constant. Attach a resistor between this pin and Vcc, and a capacitor between this pin and GND. When R = 3.9 k Ω and C = 100 pF, pulse width is approximately 400 ns. Set the resistor to register an abnormality at 1 k Ω .
11	VDRV	VDRV output	Outputs the vertical synchronization signal. The output signal has positive polarity.
12	CLAMP	Clamp output	Outputs the clamp pulse generated from the vertical synchronization signal. The output signal has a positive polarity.
13	HDRV	HDRV output	Outputs the clamp pulse generated from the horizontal synchronization signal. The output signal has positive polarity.
14	Vcc	Power supply	

Pin No.	Name	Function	
15	EXIV	Vertical existence output	Indicates whether the vertical synchronization signal exists. For the output logic, refer to the separate table.
16	POLV	Vertical polarity output	Indicates the polarity of the vertical synchronization signal. For the output logic, refer to the separate table.
17	EXIH	Horizontal existence output	Indicates whether the horizontal synchronization signal exists. For the output logic, refer to the separate table.
18	POLH	Horizontal polarity output	Indicates the polarity of the horizontal synchronization signal. For the output logic, refer to the separate table.

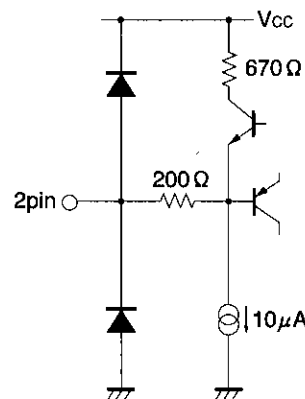
● Input/output circuit
HSCTL



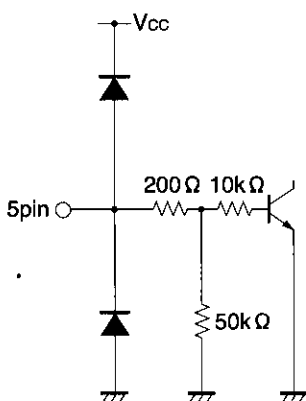
VSEPA



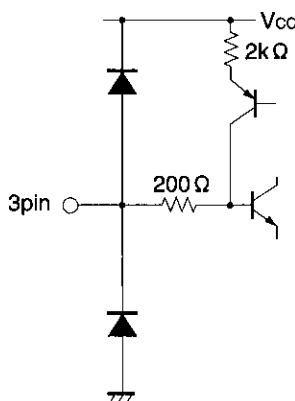
CHSYNCIN



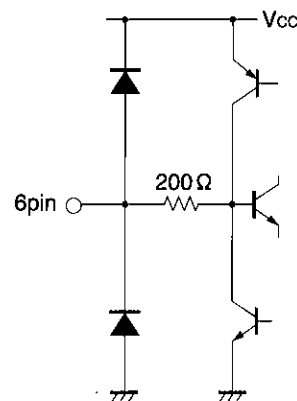
VSYNCIN



VIDEOIN



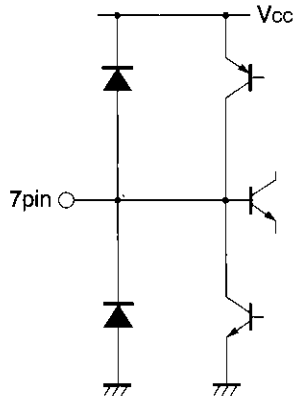
CVPOL



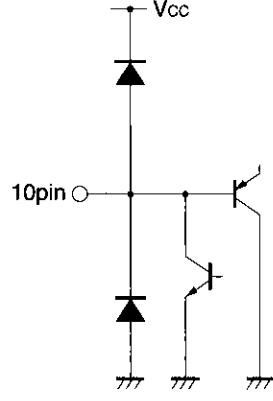
Synchronous separator and detector for monitors

Personal computers

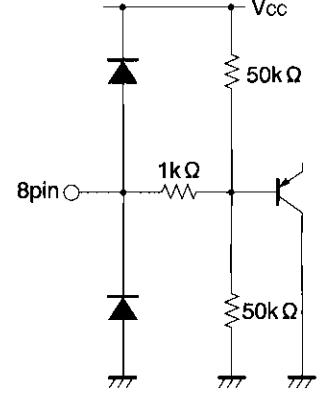
CVEXI



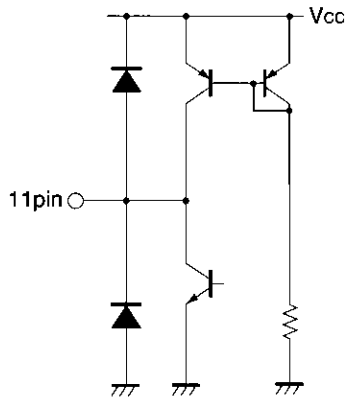
CPWID



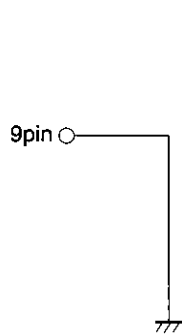
CPSEL



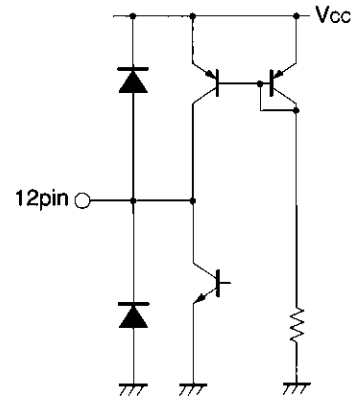
VDRV



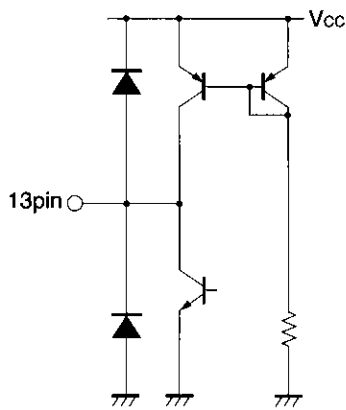
GND



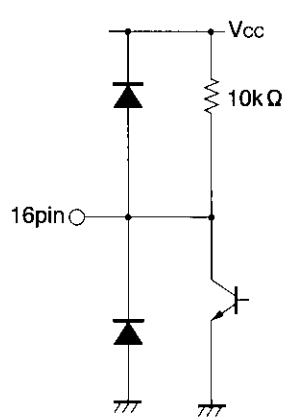
CLAMP



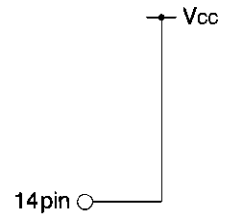
HDRV



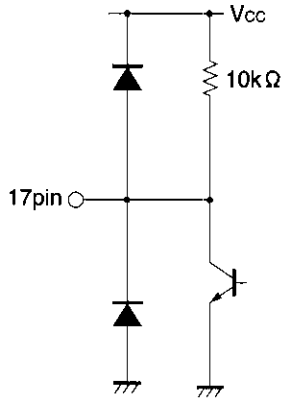
POLV



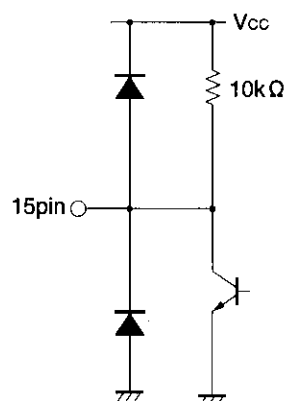
Vcc



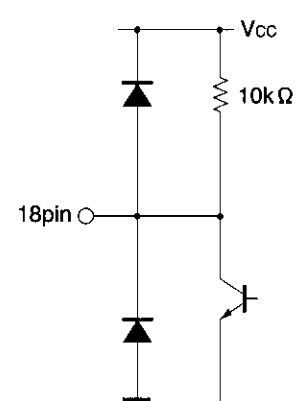
EXIH



EXIV



POLH



● Electrical characteristics (Unless otherwise noted, $V_{CC}=5V$, $T_a=25^\circ C$)

Parameter	Symbol	Min.	Typ.	Max.	Unit	Conditions
Power supply voltage	V_{CC}	4.5	5.0	5.5	V	
Quiescent current	I_{CC}	21	30	39	mA	
VDRV output voltage (high)	V_{VDH}	4.5	5.0	—	V	
VDRV output voltage (low)	V_{VDL}	—	0.2	0.5	V	
VDRV output current (low)	I_{VDL}	8	—	—	mA	
VDRV rising delay time	t_{rdVD}	—	280	450	ns	VSYNC IN
HDRV output voltage (high)	V_{HDH}	4.5	5.0	—	V	
HDRV output current (low)	V_{HDL}	—	0.2	0.5	V	
HDRV output current (low)	I_{HDL}	8	—	—	mA	
HDRV rising delay time (1)	$trdHD1$	—	65	115	ns	CHSYNC IN
HDRV rising delay time (2)	$trdHD2$	—	95	145	ns	VIDEO IN
CLAMP output voltage (high)	V_{CPH}	4.5	5.0	—	V	
CLAMP output voltage (low)	V_{CPL}	—	0.2	0.5	V	
CLAMP output current (low)	I_{CPL}	8	—	—	mA	
CLAMP rising delay time (1)	$trdCP1$	—	75	125	ns	front edge
CLAMP rising delay time (2)	$trdCP2$	—	95	145	ns	back edge
Synchronization detection output voltage (high)	V_{DH}	4.5	5.0	—	V	
Synchronization detection output voltage (low)	V_{DL}	—	0.2	0.5	V	
Synchronization detection output current (low)	I_{DL}	3	—	—	mA	
Synchronization detection output Impedance	Z_{oD}	7	10	13	$k\Omega$	
Minimum synchronization separation level	$V_{SMin.}$	—	—	0.2	V_{pp}	
HSCTL high level threshold voltage	V_{tHSH}	2.5	—	—	V	
HSCTL low level threshold voltage	V_{tHSL}	—	—	1.5	V	
CPSEL high level threshold voltage	V_{tCPH}	3.8	—	—	V	
CPSEL low level threshold voltage	V_{tCPL}	—	—	1.2	V	

Synchronous separator and detector for monitors

Personal computers

● Measurement circuit

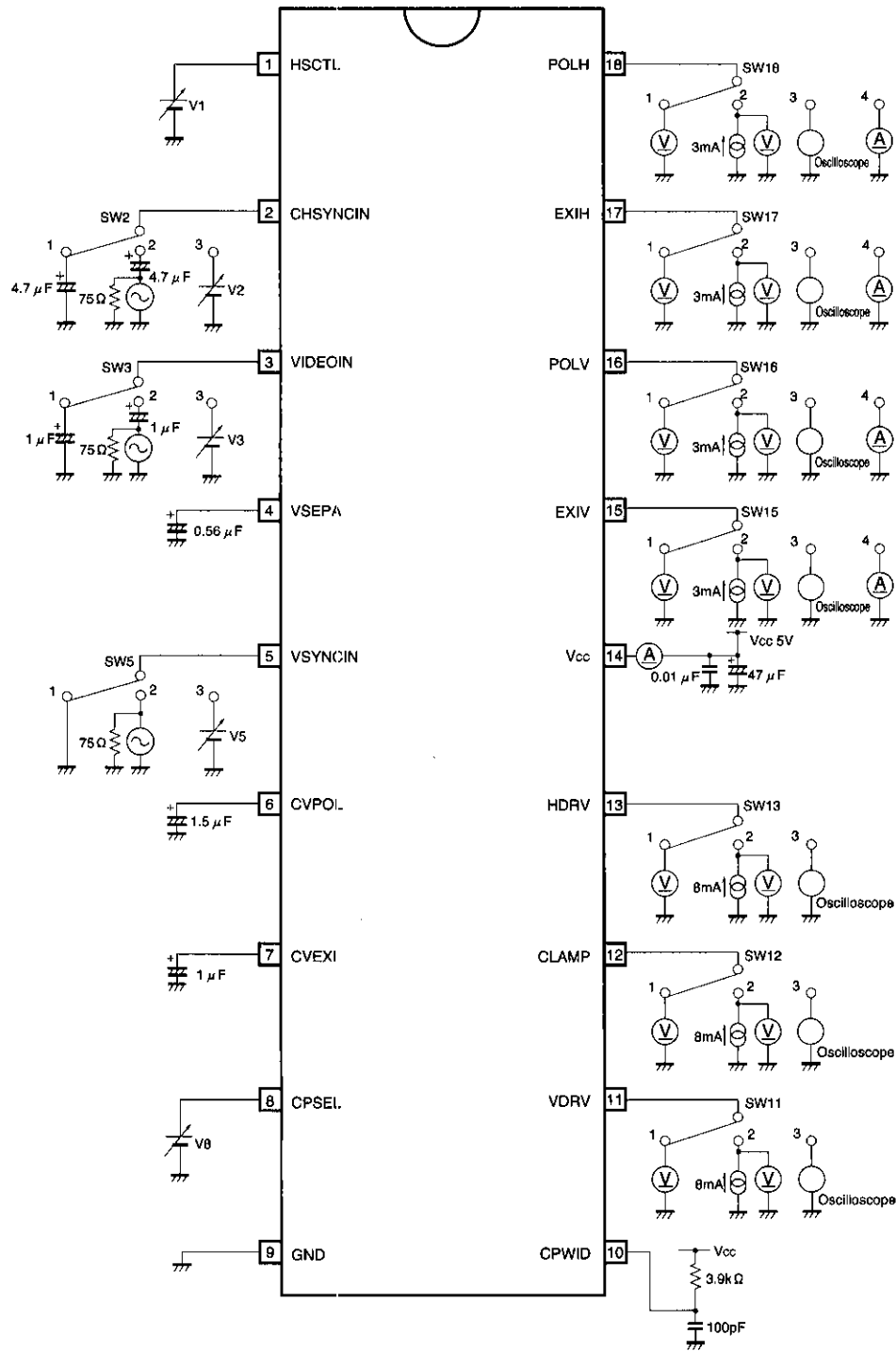


Fig. 1

● Conditions for measurement of electrical characteristics

Parameter	Switch condition									
	2	3	5	11	12	13	15	16	17	18
Quiescent current	1	1	1	1	1	1	1	1	1	1
VDRV output voltage (high)	1	1	3	1	1	1	1	1	1	1
VDRV output voltage (low)	1	1	3	1	1	1	1	1	1	1
VDRV output current (low)	1	1	3	2	1	1	1	1	1	1
VDRV rising delay time	1	1	2	3	1	1	1	1	1	1
HDRV output voltage (high)	3	1	1	1	1	1	1	1	1	1
HDRV output voltage (low)	3	1	1	1	1	1	1	1	1	1
HDRV output current (low)	3	1	1	1	1	2	1	1	1	1
HDRV rising delay time (1)	2	1	1	1	1	3	1	1	1	1
HDRV rising delay time (2)	1	2	1	1	1	3	1	1	1	1
CLAMP output voltage (high)	2	1	1	1	3	1	1	1	1	1
CLAMP output voltage (low)	2	1	1	1	3	1	1	1	1	1
CLAMP output current (low)	3	1	1	1	2	1	1	1	1	1
CLAMP rising delay time (1)	2	1	1	1	3	1	1	1	1	1
CLAMP rising delay time (2)	1	2	1	1	3	1	1	1	1	1
POLH output voltage (high)	2	1	1	1	1	1	1	1	1	1
POLH output voltage (low)	2	1	1	1	1	1	1	1	1	1
POLH output current (low)	3	1	1	1	1	1	1	1	1	2
POLH output impedance	3	1	1	1	1	1	1	1	1	4
EXIH output voltage (high)	2	1	1	1	1	1	1	1	1	1
EXIH output voltage (low)	1	1	1	1	1	1	1	1	1	1
EXIH output current (low)	3	1	1	1	1	1	1	1	2	1
EXIH output impedance	3	1	1	1	1	1	1	1	4	1
POLV output voltage (high)	1	1	2	1	1	1	1	1	1	1
POLV output voltage (low)	1	1	2	1	1	1	1	1	1	1
POLV output current (low)	1	1	3	1	1	1	1	2	1	1
POLV output impedance	1	1	3	1	1	1	1	4	1	1
EXIV output voltage (high)	1	1	2	1	1	1	1	1	1	1
EXIV output voltage (low)	1	1	1	1	1	1	1	1	1	1
EXIV output current (low)	1	1	3	1	1	1	2	1	1	1
EXIV output impedance	1	1	3	1	1	1	4	1	1	1
Minimum synchronization separation level	1	2	1	1	1	3	1	1	1	1
HSCTL high level threshold voltage	2	1	2	1	1	3	1	1	1	1
HSCTL low level threshold voltage	2	1	2	1	1	3	1	1	1	1
CPSEL high level threshold voltage	1	2	1	1	3	3	1	1	1	1
CPSEL low level threshold voltage	2	1	1	1	3	3	1	1	1	1

Synchronous separator and detector for monitors

Personal computers

●Application example

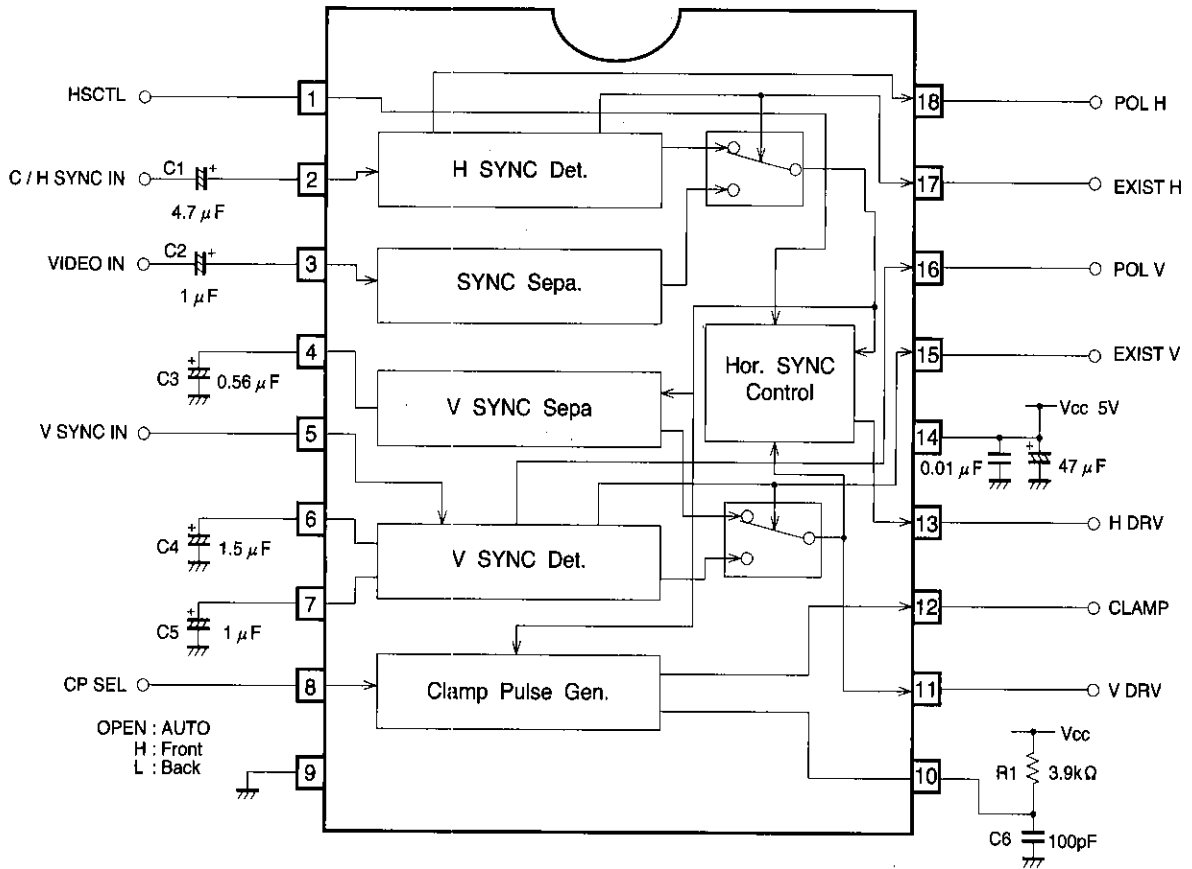


Fig. 2

● Description of attached components

- C1 ; 47 μ F Coupling capacitor for C/H SYNC IN
A low capacitance increases the size of the input pin waveform's sag.
- C2 ; 1 μ F Coupling capacitor for VIDEO IN
A low capacitance increases the size of the input pin waveform's sag.
- C3 ; 0.56 μ F Conversion capacitor for f-V
A low capacitance increases the size of the ripple in the f-V conversion voltage. A large capacitance is not a problem, but will delay the reaction speed.
- C4 ; 1.5 μ F Capacitor for POLH (detection of the vertical synchronization signal's polarity)
The minimum capacitance is determined as follows :
The internal hysteresis comparator does not react when the duty of minimum frequency synchronization (fV = 40Hz, T = 25ms) is 50%.
CMin. = 30 μ F * T [F]
A large capacitance is not a problem, but will delay the reaction speed.
- C5 ; 1 μ F Capacitor for EXIH (detection of the vertical synchronization signal's existence)
The minimum capacitance is determined as follows :
The internal hysteresis comparator does not react at the minimum frequency synchronization (fV = 40Hz, T = 25ms)
CMin. = 16 μ * T [F]
A large capacitance is not a problem, but will delay the reaction speed.
- C6 ; 100pF Constant for setting the clamp pulse width
- R1 ; 3.9k Ω A low resistance results in a narrow clamp pulse width. Set no lower than 1k Ω .

●Electrical characteristic curves

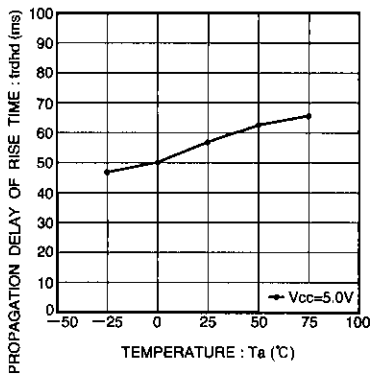


Fig. 3 C/HSYNC IN-HDRV
Rising delay time vs. temperature

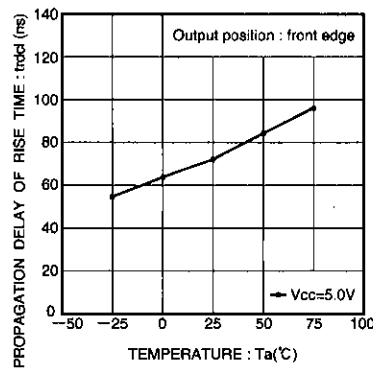


Fig. 4 C/HSYNC IN-CLAMP
Rising delay time vs. temperature

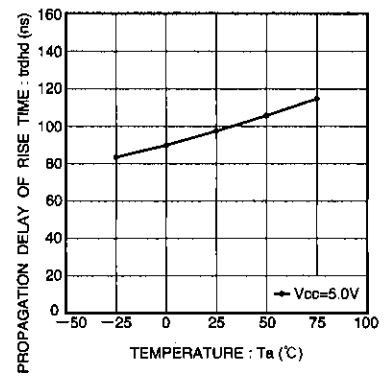


Fig. 5 VIDEO IN-HDRV
Rising delay time vs. temperature

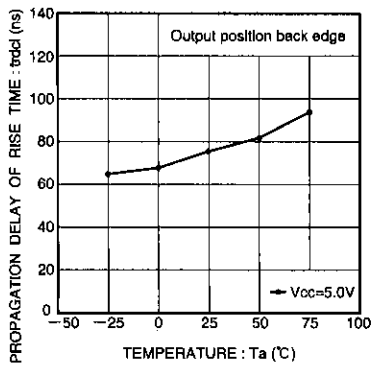


Fig. 6 VIDEO IN-CLAMP
Rising delay time vs. temperature

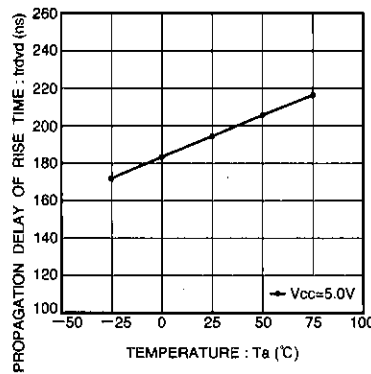


Fig. 7 VSYNC IN-HDRV
Rising delay time vs. temperature

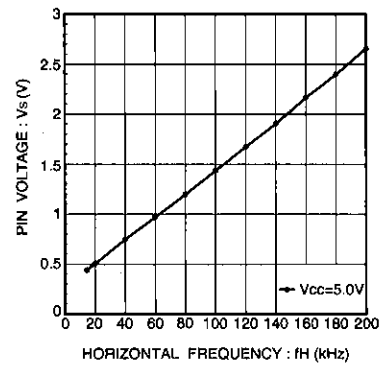
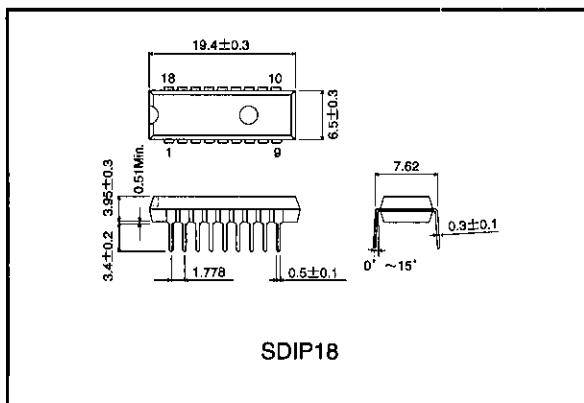


Fig. 8 VSEPA horizontal frequency vs. pin voltage

●External dimensions (Units: mm)



Notes

- The contents described in this catalogue are correct as of March 1997.
- No unauthorized transmission or reproduction of this book, either in whole or in part, is permitted.
- The contents of this book are subject to change without notice. Always verify before use that the contents are the latest specifications. If, by any chance, a defect should arise in the equipment as a result of use without verification of the specifications, ROHM CO., LTD., can bear no responsibility whatsoever.
- Application circuit diagrams and circuit constants contained in this data book are shown as examples of standard use and operation. When designing for mass production, please pay careful attention to peripheral conditions.
- Any and all data, including, but not limited to application circuit diagrams, information, and various data, described in this catalogue are intended only as illustrations of such devices and not as the specifications for such devices. ROHM CO., LTD., disclaims any warranty that any use of such device shall be free from infringement of any third party's intellectual property rights or other proprietary rights, and further, assumes absolutely no liability in the event of any such infringement, or arising from or connected with or related to the use of such devices.
- Upon the sale of any such devices; other than for the buyer's right to use such devices itself, resell or otherwise dispose of the same; no express or implied right or license to practice or commercially exploit any intellectual property rights or other proprietary rights owned or controlled by ROHM CO., LTD., is granted to any such buyer.
- The products in this manual are manufactured with silicon as the main material.
- The products in this manual are not of radiation resistant design.

The products listed in this catalogue are designed to be used with ordinary electronic equipment or devices (such as audio-visual equipment, office-automation equipment, communications devices, electrical appliances, and electronic toys). Should you intend to use these products with equipment or devices which require an extremely high level of reliability and the malfunction of which would directly endanger human life (such as medical instruments, transportation equipment, aerospace machinery, nuclear-reactor controllers, fuel controllers, or other safety devices) please be sure to consult with our sales representatives in advance.

- Notes when exporting
 - It is essential to obtain export permission when exporting any of the above products when it falls under the category of strategic material (or labor) as determined by foreign exchange or foreign trade control laws.
 - Please be sure to consult with our sales representatives to ascertain whether any product is classified as a strategic material.