

Electronic viewfinder driver

BA7149F

The BA7149F is an electronic viewfinder driver for video cameras. It separates the synchronous signal from the input video signal, and outputs the vertical deflection drive output and horizontal deflection signals. HD and VD output signals with guaranteed phase difference are also provided for on-screen displays (OSD). The differences between the BA7149F and the BA7148F are the horizontal blanking, horizontal AFC output, HD output phase and pulse width.

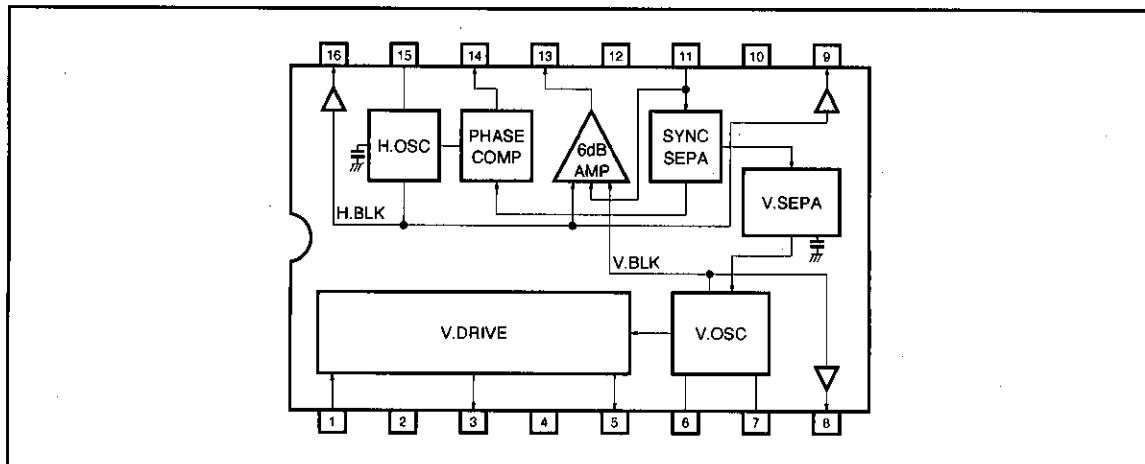
● Applications

Video cameras

● Features

- 1) Operates off a 5V power supply.
- 2) Built-in vertical deflection circuit.
- 3) Built-in wide-bandwidth amplifier.
- 4) Built-in HD and VD output terminals.
- 5) Few external components required.
- 6) SOP 16pin package.
- 7) Compatible with 10 μ sec flyback pulses.

● Block diagram



EVF

Camcorder components

● Pin descriptions

Pin No.	Function	Pin No.	Function
1	Vertical control input	9	HD output
2	Power supply 1	10	GND 2
3	Vertical deflection drive (POS)	11	Video input
4	GND 1	12	Power supply 2
5	Vertical deflection drive (NEG)	13	Video output
6	Vertical oscillator external resistor pin	14	Phase comparator output
7	Vertical oscillator external capacitor pin	15	Horizontal oscillator external resistor pin
8	VD output	16	Horizontal AFC output

● Absolute maximum ratings (Ta=25°C)

Parameter	Symbol	Limits	Unit
Applied voltage	V _{CC Max.}	8.0	V
Power dissipation	P _d	500*	mW
Operating temperature	T _{opr}	-20~75	°C
Storage temperature	T _{stg}	-55~125	°C

* Reduced by 5mW for each increase in Ta of 1°C over 25°C.

● Recommended operating conditions (Ta=25°C)

Parameter	Symbol	Min.	Typ.	Max.	Unit
Power supply voltage	V _{CC}	4.5	5.0	5.5	V

●Electrical characteristics (Unless otherwise specified Ta=25°C and Vcc=5.0V)

Parameter	Symbol	Min.	Typ.	Max.	Unit
Operating current circuit	I _{CC}	31.0	42.0	55.0	mA
(VIDEO AMP)					
Voltage gain	G _V	5.3	6.0	6.7	dB
D range	DRV	3.20	3.50	—	V _{P-P}
Frequency characteristic	f _c	-2.0	0.0	+2.0	dB
Minimum sync separation voltage	V _{syn·Min.}	—	45	120	mV _{P-P}
Horizontal blanking width	T _{H·BL}	9.6	10.7	11.4	μsec
Vertical blanking width	T _{V·BL}	870	970	1070	μsec
(Horizontal)					
Free-run frequency	f _{H·O}	13.9	15.7	17.5	kHz
Capture range	Δf _{CAP}	±2.1	±3.0	—	kHz
AFC output pulse width	T _{HP}	10.2	11.1	12.0	μsec
AFC lock-in phase	T _{HPH}	-1.9	-1.2	-0.5	μsec
Pulse voltage low	V _{HPL}	0.5	1.1	1.7	V
(Vertical)					
Free-running frequency	f _{V·O}	51.3	54.8	58.2	Hz
Pin 3 maximum output amplitude	V _{VP·Max.}	2.10	2.70	—	V _{P-P}
Pin 5 maximum output amplitude	V _{VN·Max.}	2.10	2.70	—	V _{P-P}
(H _D ·V _D)					
Phase difference	T _{HVD}	17.3	21.3	25.3	μsec
H _D pulse width	T _{HD}	8.7	9.9	11.1	μsec
V pulse width	T _{VD}	860	960	1060	μsec
Pulse voltage low	V _{HV·L}	—	0.1	0.3	V
Pulse voltage high	V _{HV·H}	4.7	4.9	—	V

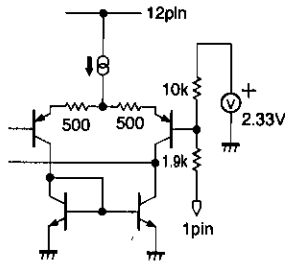
© Not designed for radiation resistance.

EVF

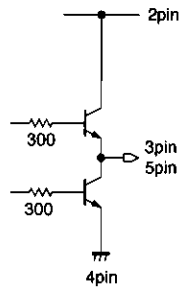
Camcorder components

● Input/output circuits

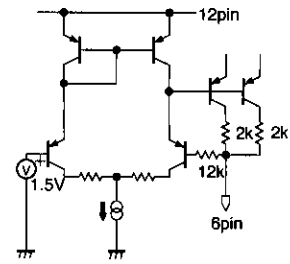
1pin



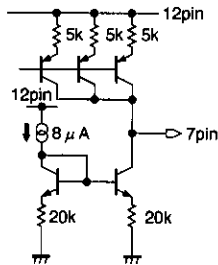
2, 3, 4, 5pin



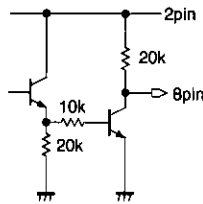
6pin



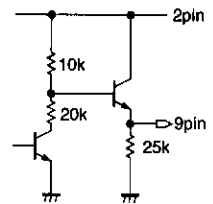
7pin



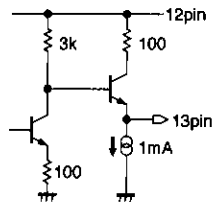
8pin



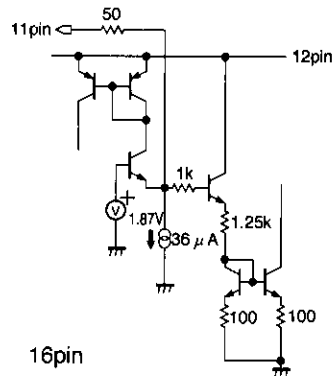
9pin



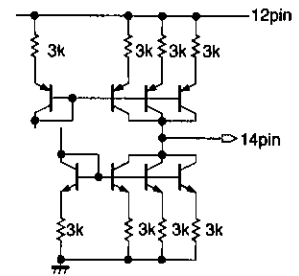
13pin



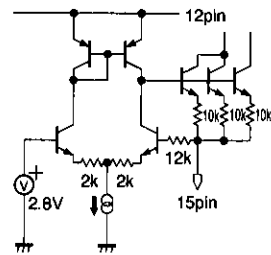
11pin



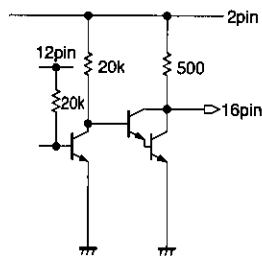
14pin



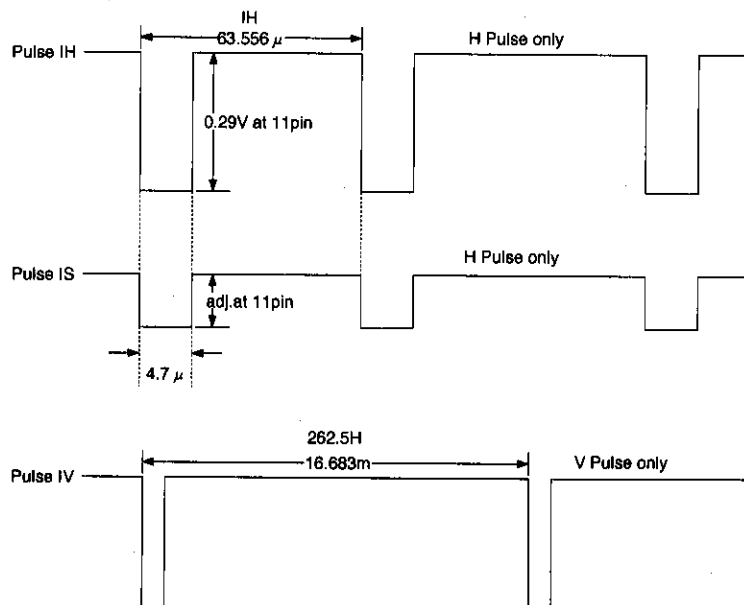
15pin



16pin



● Circuit operation
Input signals



The video signal input to pin 11 is detected by the charging and discharging of an external capacitor. Sync separation is done in the SYNC SEPA block. The H. SYNC signal is sent to the H. OSC, and the V. SYNC signal is sync-separated in the vertical sync pulse interval and supplied to the V. OSC block.

The H. OSC block consists of a PLL that oscillates in sync with the sync-separated H. SYNC signal, and outputs the HD pulse and horizontal deflection pulse.

In the V. OSC block, a direct-control method is used with the sync signal. To synchronize the vertical oscillator cir-

cuit, the inherent oscillation period of the oscillation circuit is made slightly larger than the vertical sync signal period, so that the sync signal always enters slightly early.

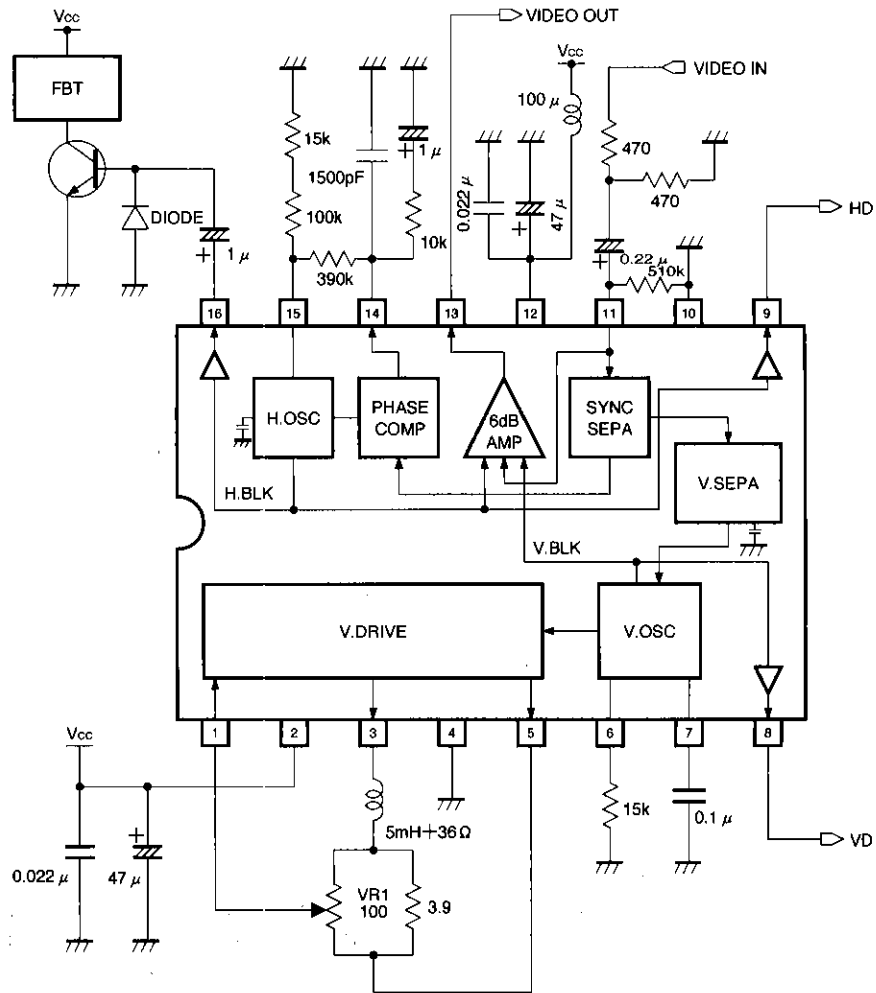
The oscillator output alone is not enough to ensure stable operation for the vertical deflection output circuit, so it is amplified by the V. DRIVE block.

The horizontal and vertical blanking signals generated in the H. OSC and V. OSC blocks are used to erase the horizontal retrace line from the video signal input to pin 11. The signal is inverted and amplified by a 6dB inverting amplifier and output as a negative-polarity video signal.

EVF

Camcorder components

● Application example



- *1 The resistors connected to pins 6 and 15 should have a tolerance of $\pm 2\%$, and a temperature coefficient of $\pm 100\text{ppm}$ or lower.
- *2 The capacitor connected to pin 7 should have a tolerance of $\pm 5\%$, and a temperature coefficient of $\pm 250\text{ppm}$ or lower.

● Operation notes

1. H. OSC free-run frequency and capture range

The free-run frequency is determined by the 115kΩ resistor connected between pin 15 and GND. The capture range is varied by the resistors and capacitor connected to pins 14 and 15.

The free-run frequency and capture range for this IC are guaranteed for these circuit constant values, and we recommend that you use them. The resistor 115kΩ connected between pin 15 and GND should have a tolerance of ±2%, and a temperature coefficient of ±100ppm or lower.

2. V. OSC free-run frequency

The V. OSC free-run frequency is determined by the 15kΩ resistor connected between pin 6 and GND, and the 0.1μF capacitor connected between pin 7 and GND.

The free-run frequency and capture range for this IC are guaranteed for these circuit constant values, and we recommend that you use them. The resistor 15kΩ connected between pin 6 and GND should have a tolerance of ±2%, and a temperature coefficient of ±100ppm or lower, and the capacitor connected between pin 7 and GND should have a tolerance of ±5%, and

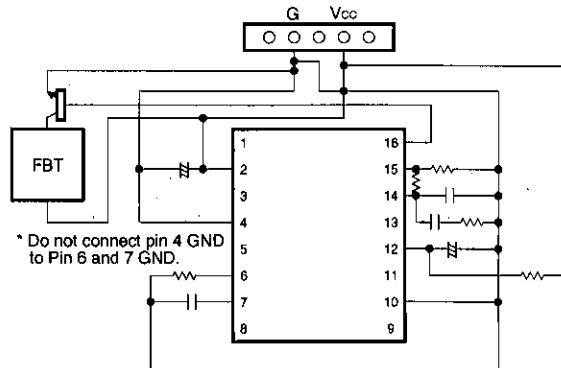
a temperature coefficient of ±250ppm or lower.

3. Use with PAL systems

In PAL systems, change the value of the resistor connected between pin 6 and GND to 18kΩ.

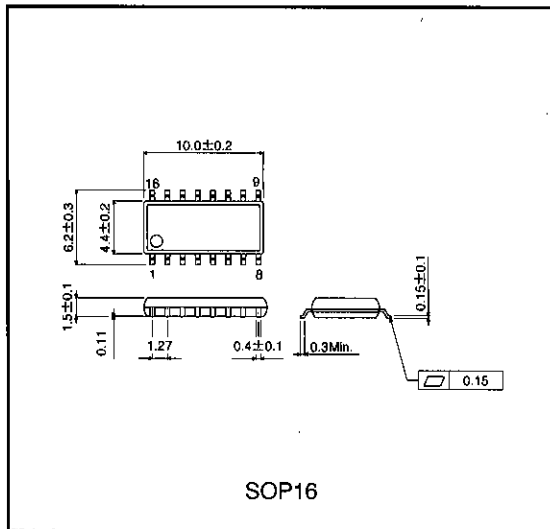
4. PCB pattern

The large-signal systems and small-signal systems in the IC have been kept separate, and the external wiring must also be done in such a way to prevent interference from occurring. In particular, to prevent the FBT return current from interfering with the V. OSC circuit on pins 6 and 7, do not directly connect the pin 4 GND and pin 6 and 7 GND.



EVF
Camcorder components

● External dimensions (Units: mm)



Notes

- The contents described in this catalogue are correct as of March 1997.
- No unauthorized transmission or reproduction of this book, either in whole or in part, is permitted.
- The contents of this book are subject to change without notice. Always verify before use that the contents are the latest specifications. If, by any chance, a defect should arise in the equipment as a result of use without verification of the specifications, ROHM CO., LTD., can bear no responsibility whatsoever.
- Application circuit diagrams and circuit constants contained in this data book are shown as examples of standard use and operation. When designing for mass production, please pay careful attention to peripheral conditions.
- Any and all data, including, but not limited to application circuit diagrams, information, and various data, described in this catalogue are intended only as illustrations of such devices and not as the specifications for such devices. ROHM CO., LTD., disclaims any warranty that any use of such device shall be free from infringement of any third party's intellectual property rights or other proprietary rights, and further, assumes absolutely no liability in the event of any such infringement, or arising from or connected with or related to the use of such devices.
- Upon the sale of any such devices; other than for the buyer's right to use such devices itself, resell or otherwise dispose of the same; no express or implied right or license to practice or commercially exploit any intellectual property rights or other proprietary rights owned or controlled by ROHM CO., LTD., is granted to any such buyer.
- The products in this manual are manufactured with silicon as the main material.
- The products in this manual are not of radiation resistant design.

The products listed in this catalogue are designed to be used with ordinary electronic equipment or devices (such as audio-visual equipment, office-automation equipment, communications devices, electrical appliances, and electronic toys). Should you intend to use these products with equipment or devices which require an extremely high level of reliability and the malfunction of which would directly endanger human life (such as medical instruments, transportation equipment, aerospace machinery, nuclear-reactor controllers, fuel controllers, or other safety devices) please be sure to consult with our sales representative in advance.

- Note when exporting
 - It is essential to obtain export permission when exporting any of the above products when it falls under the category of strategic material (or labor) as determined by foreign exchange or foreign trade control laws.
 - Please be sure to consult with our sales representatives to ascertain whether any product is classified as a strategic material.