

2-channel PRE/REC amplifier with auto-tracking interface

BA7181FS

The BA7181FS is a PRE/REC amplifier developed for use in video cassette recorders. It has been designed for use in two-head decks and features built-in FB damping, two preamplifiers, a chroma output amplifier, an FM output amplifier (with AGC), an envelope detector, a constant-current BTL-drive REC amplifier (with AGC) and built-in channel and REC/PB switches on a single monolithic IC.

● Applications

VCRs

● Features

- 1) The playback amplifier has a total gain of 57dB (Typ.), and has a low-noise preamplifier. Designed for VHS-band operation with low external parts count. The IC has two circuits for two-head VCR applications.
- 2) Two playback output systems (through output and AGC output). The AGC output level is 300mV_{P-P} (Typ.); suitable for FM brightness signal output.
- 3) Auto-tracking interface is provided for automated tracking adjustment. The detector characteristic is linear, and the sensitivity can be adjusted using external components.
- 4) The recording amplifier uses constant-current BLT drive that handles load variations (i.e. head impedance) well, and gives stable recording characteristics. A single circuit is provided for two-head VCR use.
- 5) Built-in recording level AGC means adjustment of FM recording current is not necessary.
- 6) Head switches for two-channel PRE/REC system provided.
- 7) Operates off a single 5V power supply, with low power dissipation.

● Absolute maximum ratings (Ta=25°C)

Parameter	Symbol	Limits	Unit
Applied voltage	V _{cc}	7.0	V
Power dissipation	P _d	937.5*	mW
Operating temperature	T _{opr}	-20~65	°C
Storage temperature	T _{stg}	-55~150	°C

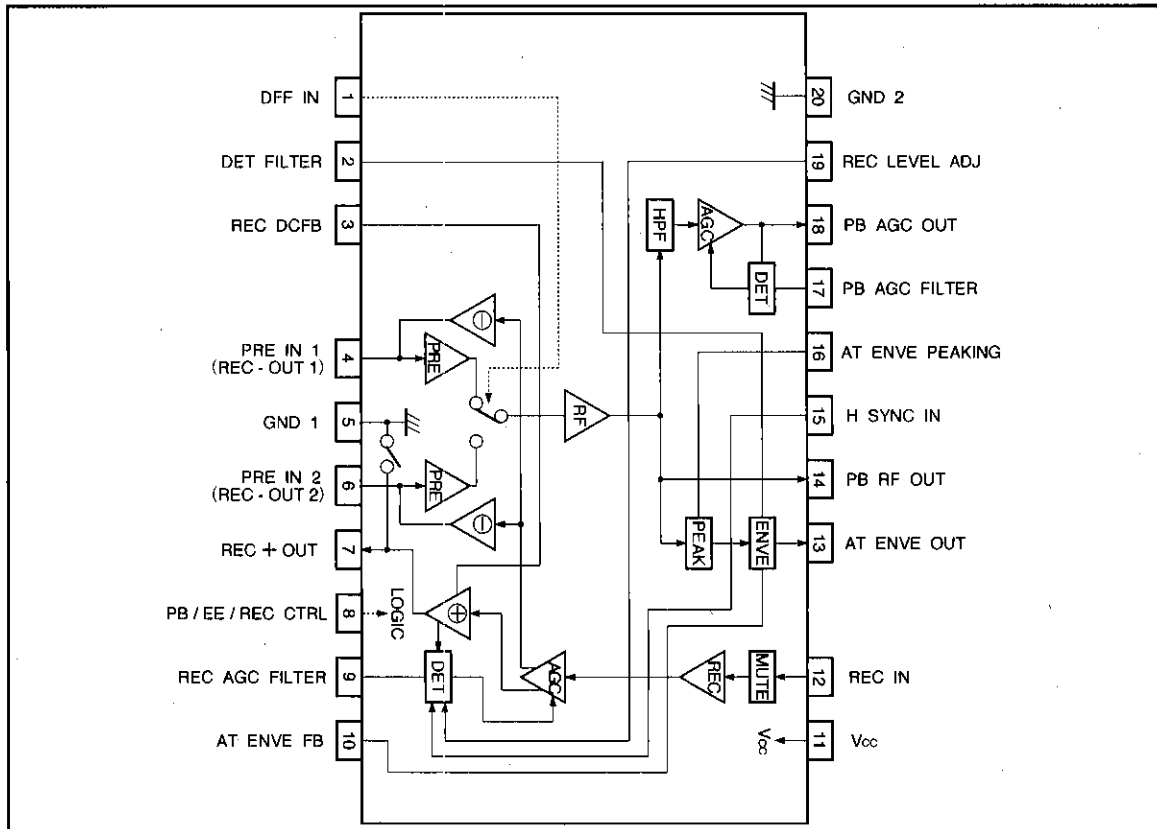
* Mounted on a 90mm × 50mm, t = 1.6mm glass epoxy PCB.
Reduced by 7.5mW for each increase in Ta of 1°C over 25°C.

● Recommended operating conditions (Ta=25°C)

Parameter	Symbol	Min.	Typ.	Max.	Unit	Conditions
Playback/recording	V _{cc}	4.5	5.0	5.5	V	11pin

©Not designed for radiation resistance.

●Block diagram



●Electrical characteristics (Unless otherwise specified, Ta=25°C, Vcc=5.0V and f=4.0MHz)

Parameter	Symbol	Min.	Typ.	Max.	Unit	Conditions	Measurement Circuit
(Playback system)							Fig. 1 measurement circuit, pin 8: H
Quiescent current	Iq (P)	—	18	45	mA	No signal	Fig.1
Voltage gain CH-1	GVP1	54	57	60	dB	Pin 4 input = 0.3mV _{P-P} , pin 1: L, pin 14 output measurement	Fig.1
Voltage gain CH-2	GVP2	54	57	60	dB	Pin 6 input = 0.3mV _{P-P} , pin 1: H, pin 14 output measurement	Fig.1
Voltage gain differential	ΔGVP	—	0	1	dB	ΔGVP = GVP1 - GVP2	Fig.1
Frequency characteristic	ΔGvf	-7	-3	0	dB	Difference in pin 14 output level for f = 8.0/1.0MHz, VIN = 0.3mV _{P-P}	Fig.1
2nd harmonic distortion*	2HDP	—	-45	—	dBc	VIN = 0.3mV _{P-P} , 8.0MHz spurious	Fig.1
3rd harmonic distortion*	3HDP	—	-45	—	dBc	VIN = 0.3mV _{P-P} , 12.0MHz spurious	Fig.1
Maximum output level	VOMP	1.0	1.5	—	V _{P-P}	When pin 14 output 2nd harmonic distortion is -30dBc	Fig.1
Crosstalk	CTP	—	-38	-32	dBc	Difference in pin 14 output level for pin 1: H/L	Fig.1

* Design reference values.

●Electrical characteristics (Unless otherwise specified, Ta=25°C, Vcc=5.0V and f=4.0MHz)

Parameter	Symbol	Min.	Typ.	Max.	Unit	Conditions	Measurement Circuit
(Playback system)						Fig. 1 measurement circuit, pin 8: H	
Output DC offset	ΔV_{ODC}	—	0	150	mV _{P-P}	Pin 14 output DC offset for pin 1: H/L	Fig.1
Input conversion noise *1	V_{NIN}	—	0.25	—	μ Vrms	Rg = 10 Ω , input conversion of pin 14 output noise	Fig.1
AGC output level	V_{AGC}	250	300	350	mV _{P-P}	$V_{IN} = 0.3mV_{P-P}$, pin 18 output measurement	Fig.1
AGC control sensitivity	ΔV_{AGC}	—	0.3	2.0	dB	Pin 18 output difference for $V_{IN} = 0.15 \sim 0.6mV_{P-P}$	Fig.1
AGC amp frequency characteristic *1	ΔG_{VAF}	—	0.5	—	dB	Pin 18 output level difference for f = 8.0/1.0MHz, $V_{IN} = 0.3mV_{P-P}$	Fig.1
PB switch ON resistance *1	R_{ON7}	—	4	—	Ω	Pin 7 impedance	Fig.1
PRE CH 2 threshold voltage	V_{TH1H}	3.5	—	V_{CC}	V	Pin 1 DC voltage for CH 2 operation	Fig.1
PRE CH 1 threshold voltage	V_{TH1L}	0	—	1.2	V	Pin 1 DC voltage for CH 1 operation	Fig.1
ENVE residual voltage	V_{ENV1}	—	0.7	1.0	V	Pin 13 output measurement with no signal	Fig.1
ENVE output level	V_{ENV2}	2.4	2.9	3.4	V	Pin 13 output measurement when pin 14 output = 400mV _{P-P}	Fig.1
ENVE saturation voltage	V_{ENV3}	4.0	4.5	—	V	Pin 13 output measurement for large signal	Fig.1
PB mode threshold voltage	V_{TH10H}	3.8	—	V_{CC}	V	Pin 8 DC voltage for PB mode	Fig.1
EE mode threshold voltage	V_{TH10M}	2.2	—	2.8	V	Pin 8 DC voltage for REC MUTE mode	Fig.1
REC mode threshold voltage	V_{TH10L}	0	—	1.2	V	Pin 8 DC voltage for REC mode	Fig.1

* Note: dBc: dB below carrier (used to express relative level from carrier reference for convenience sake).

*1 Design reference values.

●Electrical characteristics (Unless otherwise specified, Ta=25°C, Vcc=5.0V, f=4.0MHz and I_{oAR}=30mA_{P-P})

Parameter	Symbol	Min.	Typ.	Max.	Unit	Conditions	Measurement Circuit
(Recording system)						Pin 8 in Fig. 2 measurement circuit L	
Quiescent current	$I_{Q (R)}$	—	72	110	mA	No signal	Fig.2
Recording AGC level	I_{oAR}	27	30	33	mA _{P-P}	Pin 12 input = 125mV _{P-P} , pin 7 output measurement	Fig.2
AGC control sensitivity	ΔI_{oAR}	—	0.3	1.5	dB	Pin 7 output level difference for pin 12 input = 62.5mV _{P-P} and 250mV _{P-P}	Fig.2
REC Amp frequency characteristic *	ΔI_{oAF}	—	-1.5	—	dB	Pin 7 output level difference for f = 8.0/1.0MHz, pin 12 input = 125mV _{P-P}	Fig.2
2nd harmonic distortion *	2HDr	—	-45	—	dBc	Pin 12 input = 125mV _{P-P} , 8MHz spurious	Fig.2
3rd harmonic distortion *	3HDr	—	-50	—	dBc	Pin 12 input = 125mV _{P-P} , 12.0MHz spurious	Fig.2
Cross modulation distortion *	CMDr	—	-50	—	dBc	4.0MHz \pm 630kHz spurious	Fig.2
Maximum output level	I_{oMR}	40	50	—	mA _{P-P}	When pin 7 output 2nd harmonic distortion is -30dB	Fig.2
Recording current load characteristic *	ΔI_{oRL}	—	-0.35	—	dB	Pin 7 output level difference for load L: 8.2 \sim 12 μ H	Fig.2
Mute attenuation ratio	MU_n	—	-45	-38	dBc	Pin 7 output level difference for pin 8: M/H	Fig.2
AGC mode threshold voltage	V_{TH15H}	2.7	—	V_{CC}	V	Pin 15 DC voltage to maintain recording AGC operation	Fig.2
AGC mode threshold voltage	V_{TH15L}	0	—	1.2	V	Pin 15 DC voltage to maintain recording AGC stopped	Fig.2

* Design reference values.

●Control mode table

(1) DFF IN (pin 1)

•Playback input selection (head switching)

Control pin	Function	Control voltage V _{CTRL1} [V]
DFF IN	Selected playback input	
H	CH2 (PRE IN2 7pin)	3.5 ~ V _{CC}
L	CH1 (PRE IN1 5pin)	0.0 ~ 1.2

(2) H SYNC IN (pin 15)

•Controls recording AGC detector block operation.

Control pin	Function	Control voltage V _{CTRL15} [V]
H SYNC	AGC detector	
H	ON	2.7 ~ V _{CC}
L	OFF	0.0 ~ 1.2

(3) PB/EE/REC CTRL (pin 8)

•Playback/recording mute/ recording mode switching

Control pin	Mode	Function				Control voltage V _{CTRL8} [V]
		PRE AMP	AT ENVE	REC MUTE	REC AMP	
H	PB	ON	ON	OFF	OFF	3.8 ~ V _{CC}
M	REC MUTE	OFF	OFF	ON	ON	2.2 ~ 2.8
L	REC	OFF	OFF	OFF	ON	0.0 ~ 1.2

* Pin 8 is pulled up to V_{CC} via a 33kΩ resistor.

●Application example

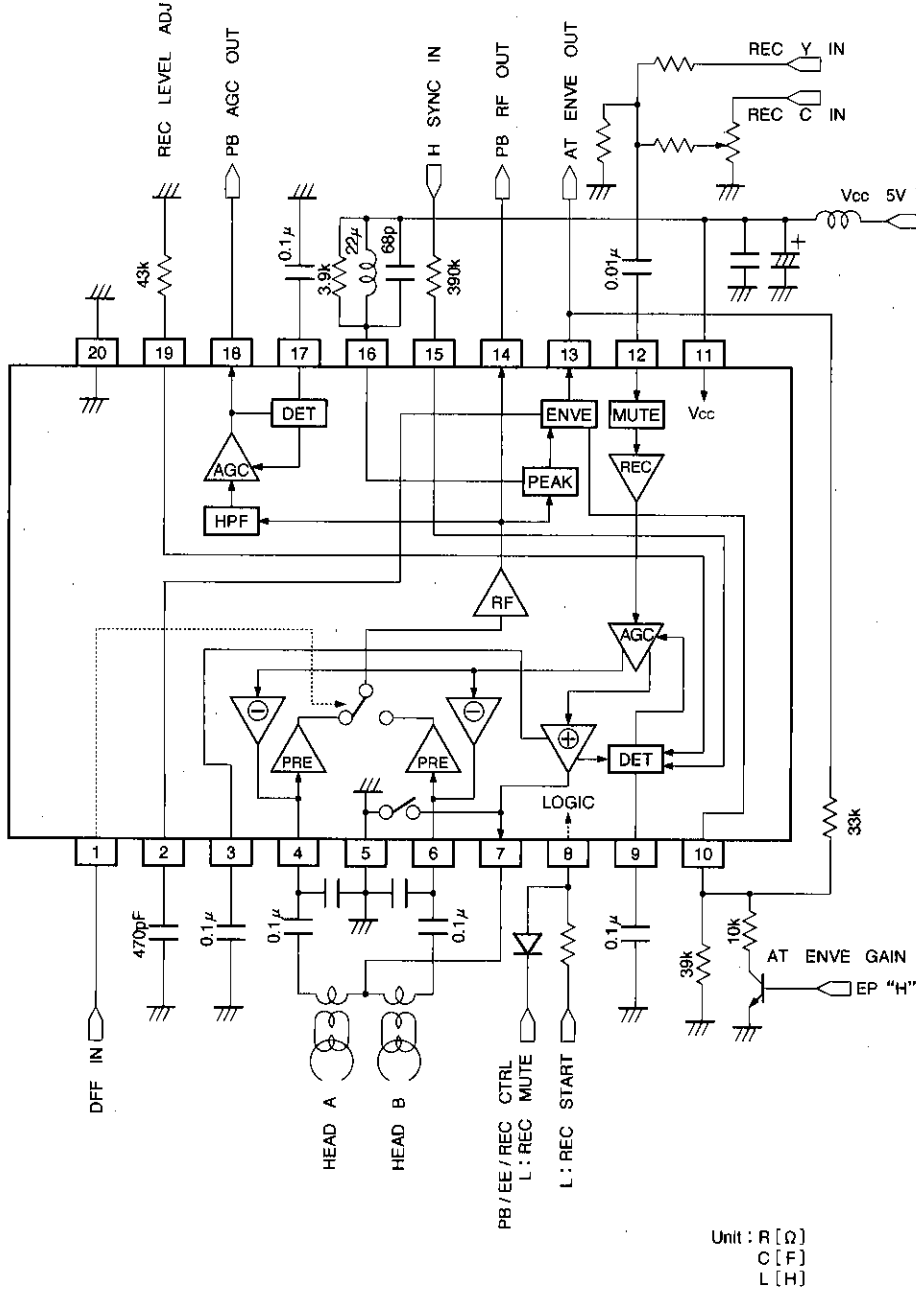
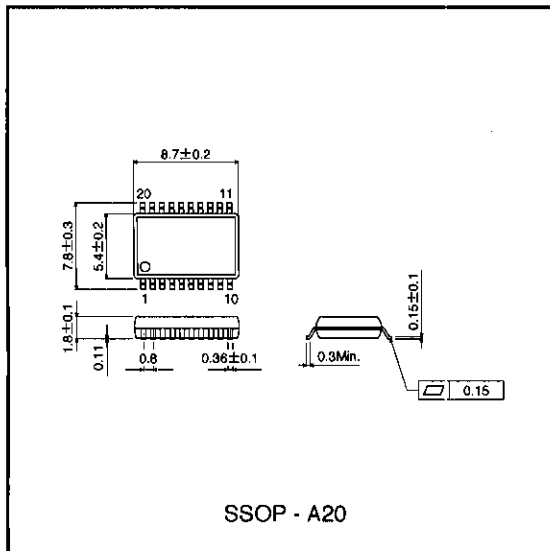


Fig.3

VCR components PRE/REC amplifiers

● External dimensions (Units: mm)



Notes

- The contents described in this catalogue are correct as of March 1997.
- No unauthorized transmission or reproduction of this book, either in whole or in part, is permitted.
- The contents of this book are subject to change without notice. Always verify before use that the contents are the latest specifications. If, by any chance, a defect should arise in the equipment as a result of use without verification of the specifications, ROHM CO., LTD., can bear no responsibility whatsoever.
- Application circuit diagrams and circuit constants contained in this data book are shown as examples of standard use and operation. When designing for mass production, please pay careful attention to peripheral conditions.
- Any and all data, including, but not limited to application circuit diagrams, information, and various data, described in this catalogue are intended only as illustrations of such devices and not as the specifications for such devices. ROHM CO., LTD., disclaims any warranty that any use of such device shall be free from infringement of any third party's intellectual property rights or other proprietary rights, and further, assumes absolutely no liability in the event of any such infringement, or arising from or connected with or related to the use of such devices.
- Upon the sale of any such devices; other than for the buyer's right to use such devices itself, resell or otherwise dispose of the same; no express or implied right or license to practice or commercially exploit any intellectual property rights or other proprietary rights owned or controlled by ROHM CO., LTD., is granted to any such buyer.
- The products in this manual are manufactured with silicon as the main material.
- The products in this manual are not of radiation resistant design.

The products listed in this catalogue are designed to be used with ordinary electronic equipment or devices (such as audio-visual equipment, office-automation equipment, communications devices, electrical appliances, and electronic toys). Should you intend to use these products with equipment or devices which require an extremely high level of reliability and the malfunction of which would directly endanger human life (such as medical instruments, transportation equipment, aerospace machinery, nuclear-reactor controllers, fuel controllers, or other safety devices) please be sure to consult with our sales representative in advance.

- Note when exporting
 - It is essential to obtain export permission when exporting any of the above products when it falls under the category of strategic material (or labor) as determined by foreign exchange or foreign trade control laws.
 - Please be sure to consult with our sales representatives to ascertain whether any product is classified as a strategic material.