

# Video switch for CANAL-Plus decoder

## BA7630S / BA7630F

The BA7630S and BA7630F are decoder switching ICs for the scrambled broadcasts in France. The ICs include a 3-input multiplexer, 2-input multiplexers with 6dB amplifiers, and a 9-bit serial-to-parallel converter.

These ICs greatly simplify decoder switching, and can be connected to a control microprocessor using just two lines.

### ●Applications

Video cassette recorders

### ●Features

- 1) All the switching functions required for SECAM CANAL plus decoder integrated onto one chip.
- 2) Built-in 9-bit serial-to-parallel converter for decoder and TV control reduces number of microprocessor wiring connections required.
- 3) Inputs have a sync-tip clamp.
- 4) The switch section can be used independently.
- 5) Low power consumption off a 5V supply.

### ●Absolute maximum ratings (Ta = 25°C)

| Parameter             | Symbol           | Limits       |       | Unit |
|-----------------------|------------------|--------------|-------|------|
| Power supply voltage  | V <sub>CC</sub>  | 9*1          |       | V    |
| Power dissipation     | P <sub>d</sub>   | BA7630S      | 500*2 | mW   |
|                       |                  | BA7630F      | 600*3 |      |
| Operating temperature | T <sub>opr</sub> | - 25 ~ + 70  |       | °C   |
| Storage temperature   | T <sub>stg</sub> | - 55 ~ + 125 |       | °C   |

\*1 13V for switches 1 to 9.

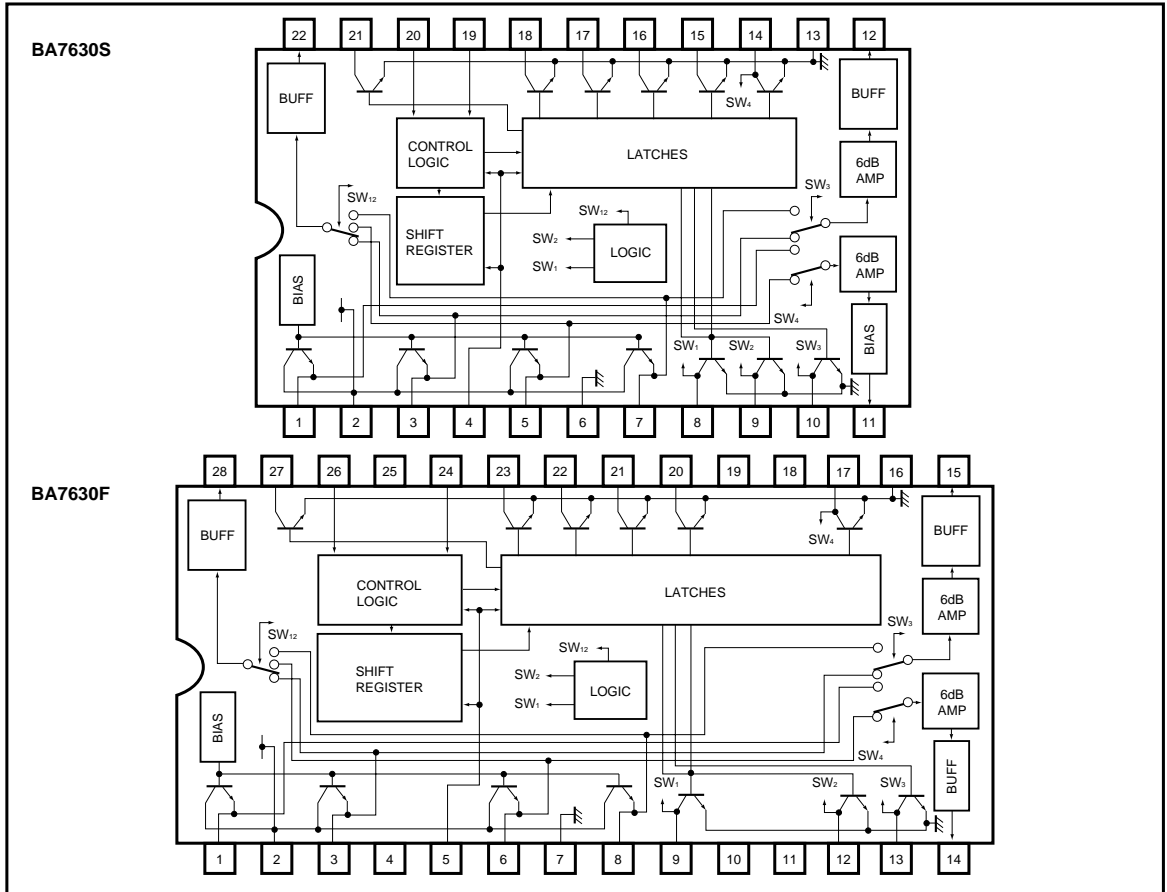
\*2 Reduced by 5.0mW for each increase in Ta of 1°C over 25°C.

\*3 Reduced by 6.0mW for each increase in Ta of 1°C over 25°C.

### ●Recommended operating conditions (Ta = 25°C)

| Parameter            | Symbol          | Min. | Typ. | Max. | Unit |
|----------------------|-----------------|------|------|------|------|
| Power supply voltage | V <sub>CC</sub> | 4.5  | 5.0  | 5.5  | V    |

●Block diagram



●Pin descriptions

| Pin No. | Pin name        | Pin No. | Pin name      |
|---------|-----------------|---------|---------------|
| 1       | IN 4            | 12 (15) | OUT 2         |
| 2       | V <sub>CC</sub> | 13 (16) | GND           |
| 3       | IN 1            | 14 (17) | SW 4 IN / OUT |
| 4 (5)   | RESET IN        | 15 (20) | SW 5 OUT      |
| 5 (6)   | IN 2            | 16 (21) | SW 6 OUT      |
| 6 (7)   | GND             | 17 (22) | SW 7 OUT      |
| 7 (8)   | IN 3            | 18 (23) | SW 8 OUT      |
| 8 (9)   | SW 1 IN / OUT   | 19 (24) | CLOCK IN      |
| 9 (10)  | SW 2 IN / OUT   | 20 (26) | DATA IN       |
| 10 (13) | SW 3 IN / OUT   | 21 (27) | SW 9 OUT      |
| 11 (14) | OUT 3           | 22 (28) | OUT 1         |

Pin numbers in parentheses are for the BA7630F.

●Electrical characteristics (unless otherwise noted Ta = 25°C and Vcc = 5.0V)

| Parameter                                      | Symbol             | Min. | Typ. | Max. | Unit             | Conditions  | Measurement Circuit |
|--|--------------------|------|------|------|------------------|---|---------------------|
| Supply current                                 | I <sub>CC</sub>    | —    | 28   | 40   | mA               | —   | Fig.1               |
| (Analog)                                       |                    |      |      |      |                  |   |                     |
| Maximum output level                           | V <sub>om</sub>    | 2.5  | 2.8  | —    | V <sub>P-P</sub> | f = 1kHz, THD = 0.5%                                  | Fig.1               |
| Voltage gain 1                                 | G <sub>V1</sub>    | -0.5 | 0    | 0.5  | dB               | f = 1MHz, V <sub>IN</sub> = 1.0V <sub>P-P</sub>       |                     |
| Voltage gain 2                                 | G <sub>V2</sub>    | 5.5  | 6.0  | 6.5  | dB               | f = 1MHz, V <sub>IN</sub> = 1.0V <sub>P-P</sub>       |                     |
| Frequency characteristic                       | G <sub>f</sub>     | -4.0 | -1.5 | +1.0 | dB               | 10MHz / 1MHz<br>V <sub>IN</sub> = 1.0V <sub>P-P</sub> |                     |
| Interchannel crosstalk                         | C <sub>TM</sub>    | —    | -60  | -45  | dB               | f = 4.43MHz<br>V <sub>IN</sub> = 1.0V <sub>P-P</sub>  |                     |
| SW <sub>1</sub> ~ SW <sub>4</sub> switch level | V <sub>TH1-4</sub> | 1.0  | 2.0  | 3.0  | V                | —   |                     |
| (Digital)                                      |                    |      |      |      |                  |   |                     |
| "H" input voltage                              | V <sub>IH</sub>    | 3.0  | —    | —    | V                | —   | Fig.3               |
| "L" input voltage                              | V <sub>IL</sub>    | —    | —    | 1.0  | V                | —   |                     |
| "H" input current                              | I <sub>IH</sub>    | —    | 2    | 10   | μA               | —   | Fig.2               |
| "L" input current                              | I <sub>IL</sub>    | -80  | -100 | -150 | μA               | —   |                     |
| "H" output leakage current 1                   | I <sub>QH1-4</sub> | 150  | 230  | 350  | μA               | V <sub>CC</sub> = 12V                                 |                     |
| "H" output leakage current 2                   | I <sub>QH5-9</sub> | —    | 0    | 50   | μA               | V <sub>CC</sub> = 12V                                 |                     |
| "L" output voltage                             | V <sub>QL</sub>    | —    | 0.1  | 0.5  | V                | I <sub>CC</sub> = 2mA                                 | Fig.1               |
| Maximum clock frequency                        | f <sub>Max.</sub>  | 250  | 500  | —    | kHz              | —   |                     |
| Setup time                                     | t <sub>su</sub>    | —    | 0.1  | 1.0  | μs               | —   |                     |

● Measurement circuits  
BA7630S

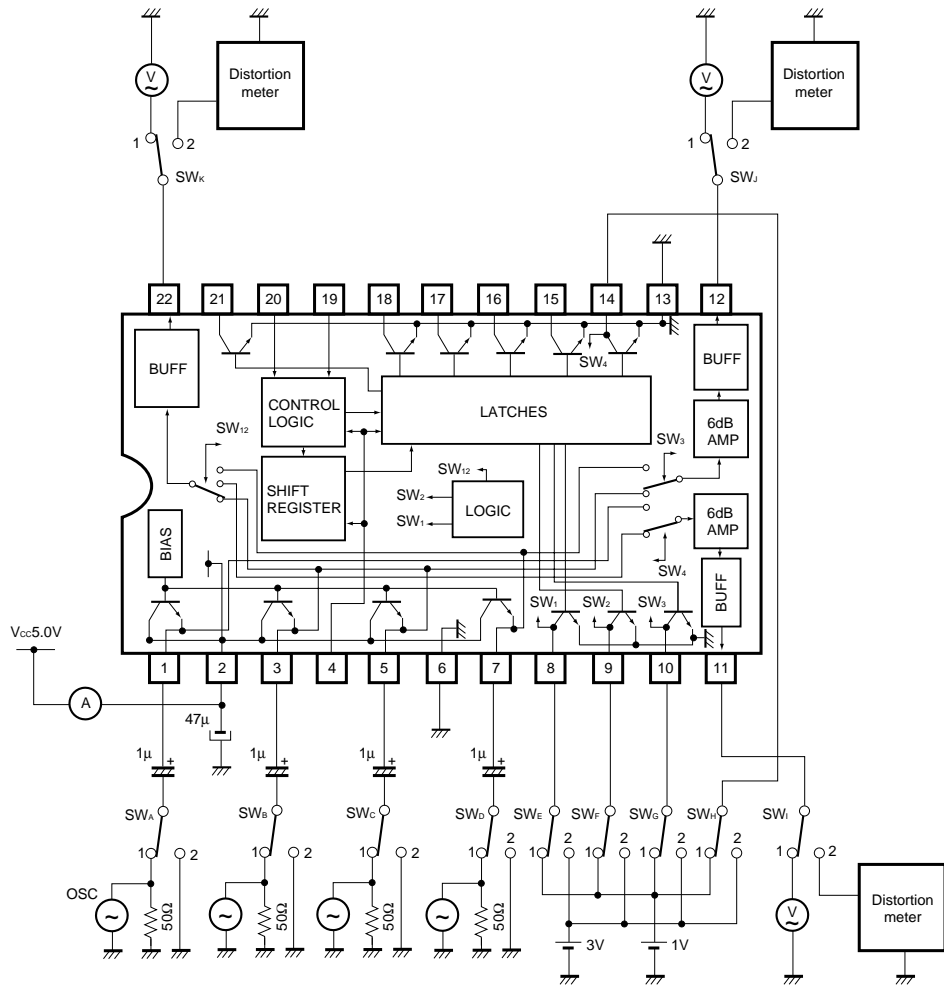


Fig.1

BA7630S

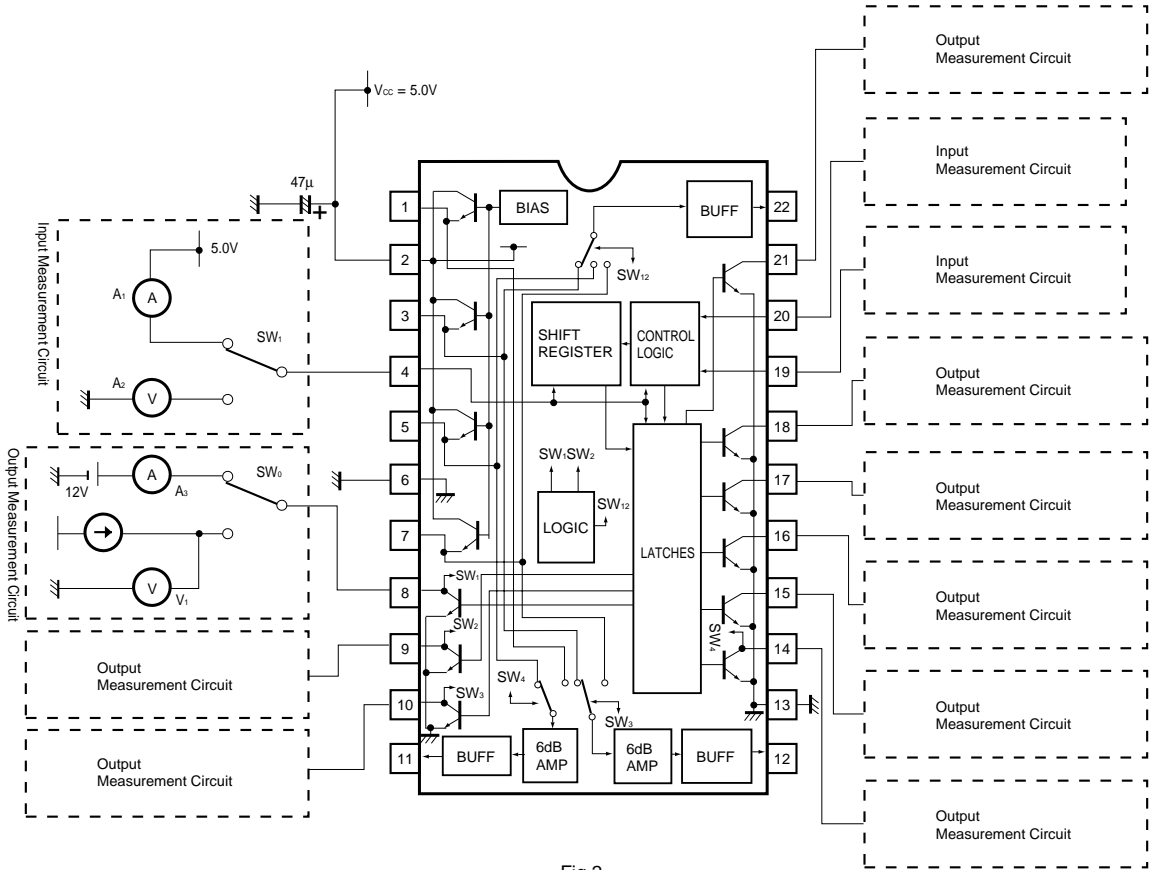


Fig.2

BA7630S

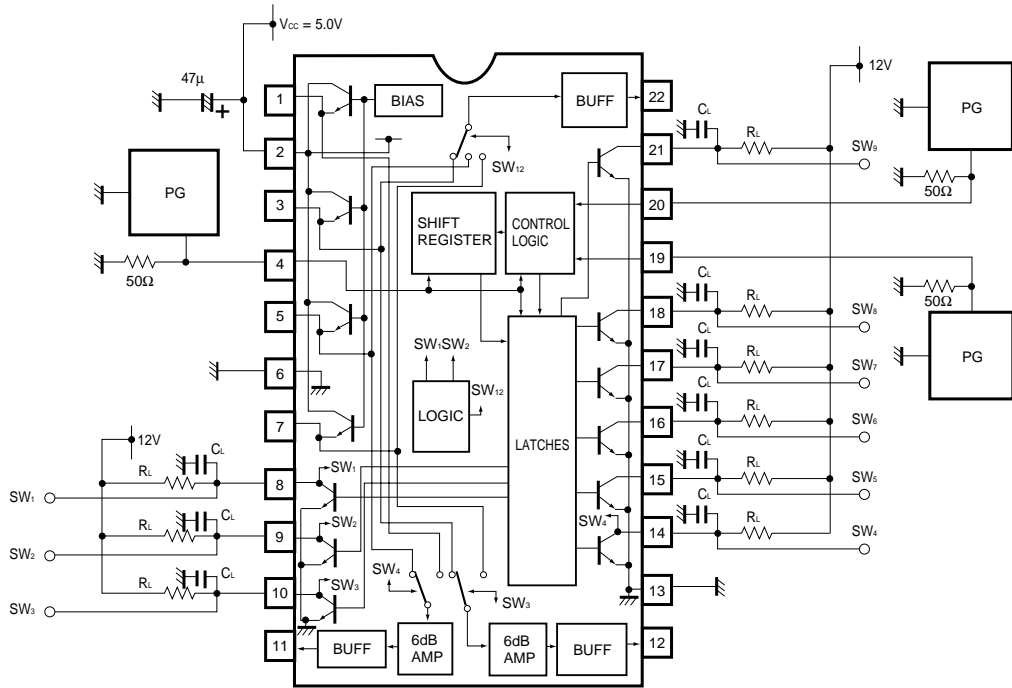


Fig.3

## ● Measurement conditions

| Parameter                 | Symbol               | Switch setting  |                 |                 |                 |                 |                 |                 |                 |                 |                 |                 | Measurement method |
|---------------------------|----------------------|-----------------|-----------------|-----------------|-----------------|-----------------|-----------------|-----------------|-----------------|-----------------|-----------------|-----------------|--------------------|
|                           |                      | SW <sub>A</sub> | SW <sub>B</sub> | SW <sub>C</sub> | SW <sub>D</sub> | SW <sub>E</sub> | SW <sub>F</sub> | SW <sub>G</sub> | SW <sub>H</sub> | SW <sub>I</sub> | SW <sub>J</sub> | SW <sub>K</sub> |                    |
| Current dissipation       | I <sub>CC</sub>      | 2               | 2               | 2               | 2               | 2               | 2               | 2               | 2               | ×               | ×               | ×               | —                  |
| Maximum output level      | V <sub>om1-1</sub>   | 2               | 1               | 2               | 2               | 1               | 1               | ×               | ×               | ×               | ×               | 2               | Note 1             |
|                           | V <sub>om2-1</sub>   | 2               | 2               | 1               | 2               | 1               | 2               | ×               | ×               | ×               | ×               | 2               |                    |
|                           | V <sub>om3-1</sub>   | 2               | 2               | 2               | 1               | 2               | ×               | ×               | ×               | ×               | ×               | 2               |                    |
|                           | V <sub>om1-2</sub>   | 2               | 1               | 2               | 2               | ×               | ×               | 2               | ×               | ×               | 2               | ×               |                    |
|                           | V <sub>om3-2</sub>   | 2               | 2               | 2               | 1               | ×               | ×               | 2               | ×               | ×               | 2               | ×               |                    |
|                           | V <sub>om2-3</sub>   | 2               | 2               | 1               | 2               | ×               | ×               | ×               | 1               | 2               | ×               | ×               |                    |
| V <sub>om4-3</sub>        | 1                    | 2               | 2               | 2               | ×               | ×               | ×               | 2               | 2               | ×               | ×               |                 |                    |
| Voltage gain 1            | G <sub>v1-1-2</sub>  | 2               | 1               | 2               | 2               | ×               | ×               | 1               | ×               | ×               | 1               | ×               | Note 2             |
|                           | G <sub>v1-3-2</sub>  | 2               | 2               | 2               | 1               | ×               | ×               | 2               | ×               | ×               | 2               | ×               |                    |
|                           | G <sub>v1-2-3</sub>  | 2               | 2               | 1               | 2               | ×               | ×               | ×               | 1               | 2               | ×               | ×               |                    |
|                           | G <sub>v1-4-3</sub>  | 1               | 2               | 2               | 2               | ×               | ×               | ×               | 2               | 2               | ×               | ×               |                    |
| Voltage gain 2            | G <sub>v2-1-1</sub>  | 2               | 1               | 2               | 2               | 1               | 1               | ×               | ×               | ×               | ×               | 1               |                    |
|                           | G <sub>v2-2-1</sub>  | 2               | 2               | 1               | 2               | 1               | 2               | ×               | ×               | ×               | ×               | 1               |                    |
|                           | G <sub>v2-3-1</sub>  | 2               | 2               | 2               | 1               | 2               | ×               | ×               | ×               | ×               | ×               | 1               |                    |
| Frequency characteristics | G <sub>r1-1</sub>    | 2               | 1               | 2               | 2               | 1               | 1               | ×               | ×               | ×               | ×               | 2               | Note 3             |
|                           | G <sub>r2-1</sub>    | 2               | 2               | 1               | 2               | 1               | 2               | ×               | ×               | ×               | ×               | 2               |                    |
|                           | G <sub>r3-1</sub>    | 2               | 2               | 2               | 1               | 2               | ×               | ×               | ×               | ×               | ×               | 2               |                    |
|                           | G <sub>r1-2</sub>    | 2               | 1               | 2               | 2               | ×               | ×               | 2               | ×               | ×               | 2               | ×               |                    |
|                           | G <sub>r3-2</sub>    | 2               | 2               | 2               | 1               | ×               | ×               | 2               | ×               | ×               | 2               | ×               |                    |
|                           | G <sub>r2-3</sub>    | 2               | 2               | 1               | 2               | ×               | ×               | ×               | 1               | 2               | ×               | ×               |                    |
| G <sub>r4-3</sub>         | 1                    | 2               | 2               | 2               | ×               | ×               | ×               | 2               | 2               | ×               | ×               |                 |                    |
| Interchannel crosstalk    | C <sub>TM1-1-2</sub> | 2               | 2               | 1               | 2               | 1               | 1               | ×               | ×               | ×               | ×               | 1               | Note 4             |
|                           | C <sub>TM1-1-3</sub> | 2               | 2               | 2               | 1               | 1               | 1               | ×               | ×               | ×               | ×               | 1               |                    |
|                           | C <sub>TM2-1-1</sub> | 2               | 1               | 2               | 2               | 1               | 2               | ×               | ×               | ×               | ×               | 1               |                    |
|                           | C <sub>TM2-1-3</sub> | 2               | 2               | 2               | 1               | 1               | 2               | ×               | ×               | ×               | ×               | 1               |                    |
|                           | C <sub>TM3-1-1</sub> | 2               | 1               | 2               | 2               | 2               | 2               | ×               | ×               | ×               | ×               | 1               |                    |
|                           | C <sub>TM3-1-2</sub> | 2               | 2               | 1               | 2               | 2               | 2               | ×               | ×               | ×               | ×               | 1               |                    |
|                           | C <sub>TM1-2-3</sub> | 2               | 2               | 2               | 1               | ×               | ×               | 1               | ×               | ×               | 1               | ×               |                    |
|                           | C <sub>TM3-2-1</sub> | 2               | 1               | 2               | 2               | ×               | ×               | 2               | ×               | ×               | 1               | ×               |                    |
|                           | C <sub>TM2-3-4</sub> | 1               | 2               | 2               | 2               | ×               | ×               | ×               | 1               | 1               | ×               | ×               |                    |
| C <sub>TM4-3-2</sub>      | 2                    | 2               | 1               | 2               | ×               | ×               | ×               | 2               | 1               | ×               | ×               |                 |                    |

The measurements in the above table were made with switching voltage levels for SW<sub>1</sub> to SW<sub>4</sub> of "L" = 1V, and "H" = 3V.

Note 1: Connect distortion meters to the outputs. Adjust the input level so that the output distortion is 0.5% for a f = 1kHz sine wave input.

This output voltage is the maximum output level V<sub>om</sub> (V<sub>P-P</sub>).

Note 2: Input a f = 1MHz, 1V<sub>P-P</sub> sine wave. The voltage gain G<sub>v</sub> = 20 log V<sub>OUT</sub> / V<sub>IN</sub> (dB).

Note 3: Input a f = 1MHz and 10MHz, 1V<sub>P-P</sub> sine wave. The frequency characteristic G<sub>r</sub> = 20 log V<sub>OUT</sub> (f = 10M) / V<sub>OUT</sub> (f = 1M) (dB).

Note 4: Input a f = 4.43MHz, 1V<sub>P-P</sub> sine wave.

0dB amplifier SW crosstalk is C<sub>TM0</sub>, and the 6dB amplifier SW crosstalk is C<sub>TM6</sub>.

C<sub>TM0</sub> = 20 log V<sub>OUT</sub> / V<sub>IN</sub> (dB)

C<sub>TM6</sub> = 20 log V<sub>OUT</sub> / V<sub>IN</sub> + 6 (dB)

## ●Circuit operation

## Digital block truth table

| INPUT |       |      | OUTPUT                                   | Note   |
|-------|-------|------|--|--|
| Reset | Clock | Data | SW <sub>1</sub> .....SW <sub>9</sub>     |  |
| H     | ×     | ×    | H.....H                                  | —  |
| L     | L     | ×    | SW <sub>1-0</sub> .....SW <sub>9-0</sub> | —  |
| L     | H     | ×    | SW <sub>1-0</sub> .....SW <sub>9-0</sub> | —  |
| L     | ↑     | H    | SW <sub>1-0</sub> .....SW <sub>9-0</sub> | Data "L" sent to internal shift register                   |
| L     | ↑     | L    | SW <sub>1-0</sub> .....SW <sub>9-0</sub> | Data "H" sent to internal shift register                   |
| L     | ↓     | L    | SW <sub>1-0</sub> .....SW <sub>9-0</sub> | Internal shift register data unchanged                     |
| L     | ↓     | H    | SW <sub>1-N</sub> .....SW <sub>9-N</sub> | Contents of internal shift register sent to internal latch |

Note 1: H: high level

Note 2: L: low level

Note 3: ×: either H or L

Note 4: ↑: L to H transition

Note 5: ↓: H to L transition

Note 6: SW<sub>1-0</sub> to SW<sub>9-0</sub>: SW<sub>1</sub> to SW<sub>9</sub> levels before establishing the input conditions shown in the table.Note 7: SW<sub>1-N</sub> to SW<sub>9-N</sub>  
nearest clock ↓ transition.

## Analog truth table

## (1) OUT1 switch

| SW <sub>1</sub> | SW <sub>2</sub> | RESET | SELECT |
|-----------------|-----------------|-------|--------|
| L               | L               | H     | IN1    |
| L               | H               | H     | IN2    |
| H               | L               | H     | IN3    |
| H               | H               | H     | IN3    |

## (2) OUT2 switch

| SW <sub>3</sub> | RESET | SELECT |
|-----------------|-------|--------|
| L               | H     | IN1    |
| H               | H     | IN3    |

## (3) OUT3 switch

| SW <sub>4</sub> | RESET | SELECT |
|-----------------|-------|--------|
| L               | H     | IN2    |
| H               | H     | IN4    |

Note: When using the switches independently without the digital block, the RESET pin must be set to "H".



●Digital circuit operation

(1) Introduction

The BA7630S has 9-bit serial-to-parallel converter and latch circuit that has been included to expand the number of microprocessor output ports. The breakdown voltage of the output pins is 13V, so switch them in the range 0 to 12V. In addition to controlling the BA7630S switching block, these outputs can be used to control audio switching, scrambling decoders, and television sets.

(2) Using the serial-to-parallel converter block

Signal input is basically done using clock and data pulses. As shown in Fig.10, the data is read on the rising edge of the clock pulses. If the data is "H" on the rising edge of the clock pulse, a "L" data bit is input to the shift register, and if the data is "L" on the rising edge of the clock pulse, a "H" data bit is input to the shift register. The shift register is sequentially incremented by the bit corresponding to SW<sub>1</sub>. Data in excess of 9 bits is sequentially discarded.

If the data is "H" on a falling edge of the clock, the contents of the shift register are read into the internal latch, and simultaneously output to the output port (the data polarity is inverted on output). This output is maintained until the latch is setup again.

To reset, set the RESET pin to "H". The internal shift register and latch contents go low (latch output all "H"), for the duration that RESET is held high.

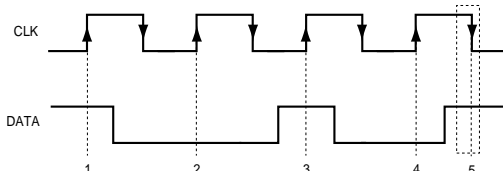


Fig. 4 CLK and DATA relationship

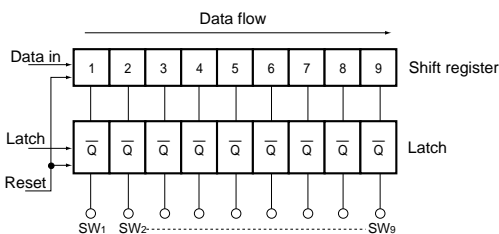


Fig. 5 Digital block

(3) Pulse timing

The pulse timing diagrams are given below.

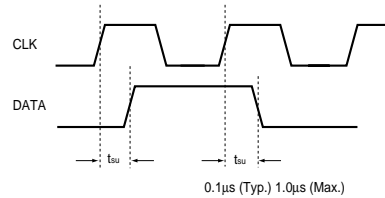


Fig. 6 Clock rising edge and data relationship (setup time)

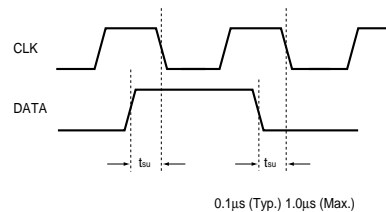


Fig. 7 Clock falling edge and data relationship (setup time)

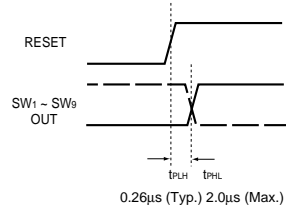


Fig. 8 Reset and output relationship (reset transmission time)

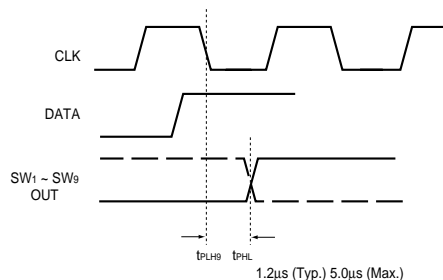


Fig. 9 Clock falling edge and output relationship (latch transmission time)

●Timing chart

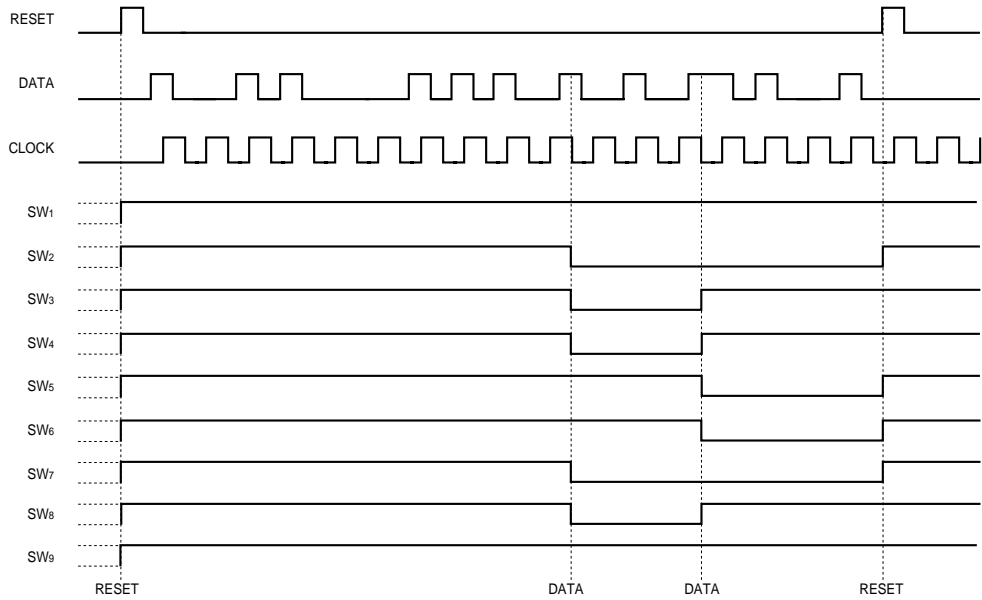


Fig.10

●Application examples

(1) Analog block

BA7630S pin layout

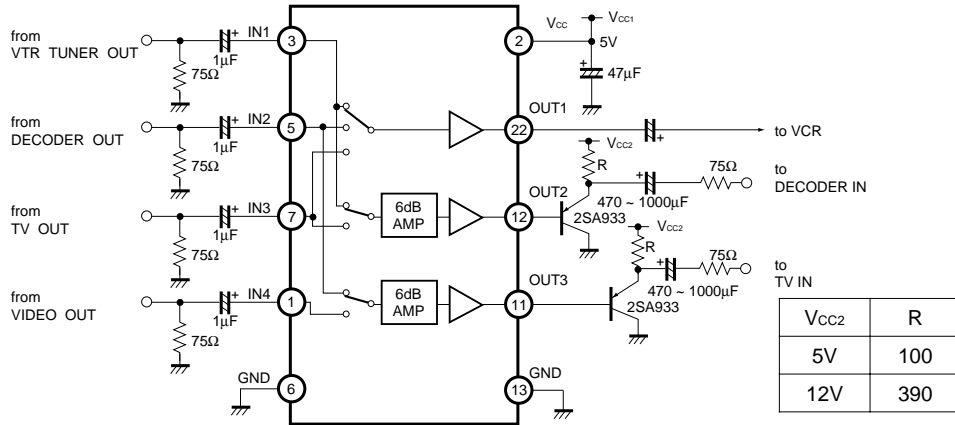


Fig.11

(2) Digital block

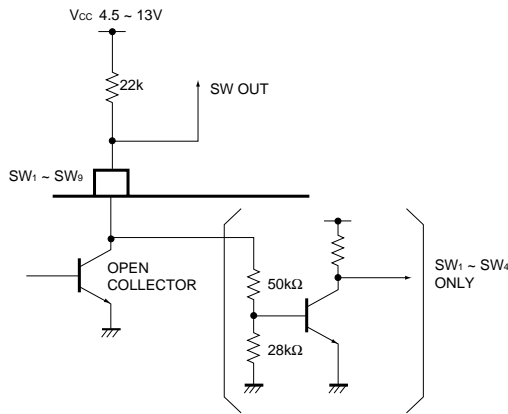


Fig.12

●Electrical characteristic curves

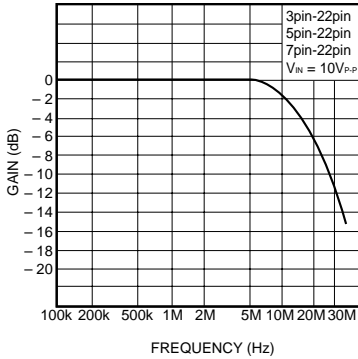


Fig. 13 Frequency characteristic(OUT1)

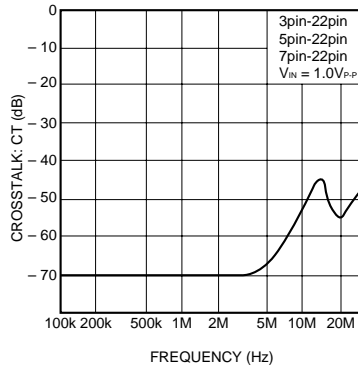


Fig. 14 Crosstalk characteristic (OUT1)

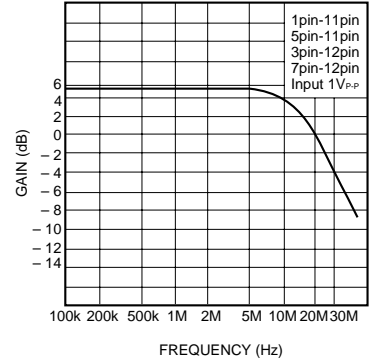


Fig. 15 Frequency characteristic (OUT2 and OUT3)

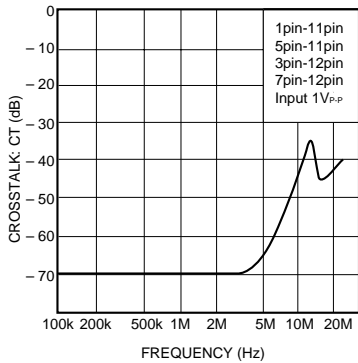


Fig. 16 Crosstalk characteristic (OUT2 and OUT3)

●External dimensions (Units: mm)

