

Pseudo inductance for telephones

BA8201/BA8201F

The BA8201 and BA8201F are ICs with a choke coil action, capable of extracting the DC current from a telephone line while maintaining a high inductance on the telephone line side. This eliminates the need for a choke coil, and facilitates use of the telephone set line in a variety of applications.

●Applications

Household telephones

●Features

- 1) Corresponds to choke coil of several henries.
- 2) Extracts DC current while maintaining high inductance on telephone line side.
- 3) Capable of extracting large output current.
- 4) Wide dynamic range.
- 5) Two output voltage modes available for selection.
 - Line voltage seek mode
 - Constant voltage mode
- 6) DIP 8 and SOP 8 pin packages available.

●Absolute maximum ratings (Ta=25°C)

Parameter	Symbol	Limits	Unit
Power supply voltage	V _{CC}	18	V
Power dissipation	P _d	800 (BA8201) *1	mW
		450 (BA8201F) *2	
Operating temperature	T _{opr}	-25~75	°C
Storage temperature	T _{stg}	-55~125	°C

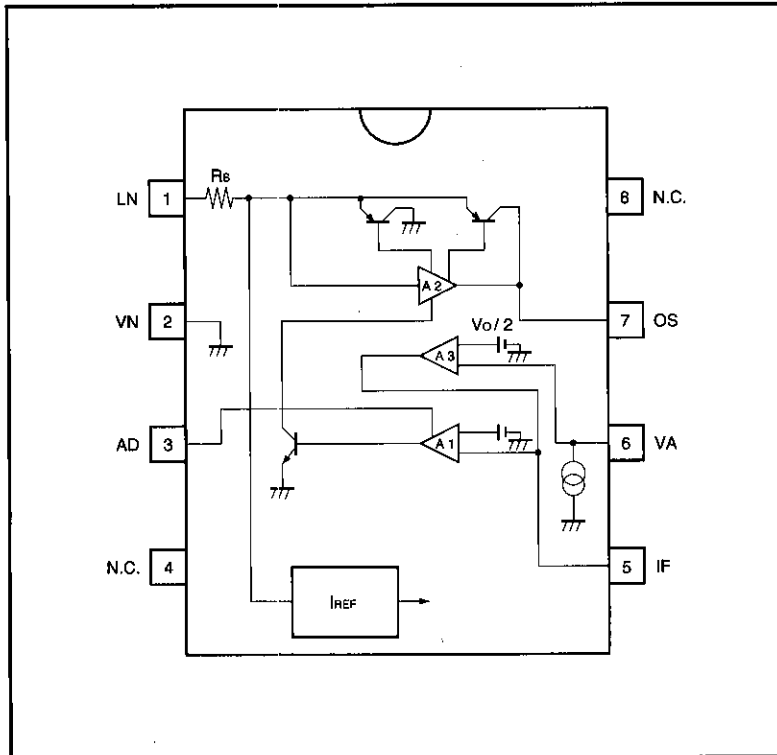
*1 Reduced by 8mW for each increase in Ta of 1°C over 25°C.

*2 Reduced by 4.5mW for each increase in Ta of 1°C over 25°C.

●Recommended operating conditions (Ta=25°C)

Parameter	Symbol	Min.	Typ.	Max.	Unit
Line voltage	V _{LN}	2	—	18	V

● Block diagram



● Pin descriptions

Pin No.	Pin Name	Function
1	LN	This is the power supply pin. It supplies power to the IC and is connected to the (+) side of the diode bridge.
2	VN	This is the GND pin. It has the lowest potential of the IC and is connected to the (-) side of the diode bridge.
3	AD	This is the phase compensation pin for the internal amplifier. The phase compensation pins for the amplifier in the IC are connected to Pins 1 - 3 and Pins 3 - 6.
4	N.C.	This is the NC pin. It is left open and is not connected inside the IC.
5	IF	This is the bias pin for the internal amplifier. It is used to input signals from the V_L pin to which it is coupled. This signal is compared to the internal potential, and maintains the inductance from the telephone line at a high level.
6	VA	This is the output voltage regulator. The output voltage can be clamped by connecting a resistor between pins 6 and 7.
7	OS	This is the output pin through which DC current is output.
8	N.C.	This is the NC pin. It is left open and is not connected inside the IC.

Pseudo inductance

Telephones

●Electrical characteristics (Unless otherwise noted, Ta=25°C, VLN=4V, vLN=100mVrms, Io=5mA, f=1kHz)

Parameter	Symbol	Min.	Typ.	Max.	Unit	Conditions	Measurement Circuit
Peak maximum line voltage	VLN2	—	—	18	V	vLN=0Vrms	—
Internal supply current	Icc	—	0.87	1.7	mA	Io=0mA	Fig.1
Line current 1	ILN1	—	5.9	—	mA	vLN=0Vrms, Io=5mA	Fig.1
Line current 2	ILN2	—	30.0	—	mA	vLN=1.5Vrms, Io=15mA	Fig.1
Line current 3	ILN3	—	5.9	—	mA	vLN=0Vrms, Io=5mA	Fig.2
Line current 4	ILN4	—	30.0	—	mA	vLN=1.5Vrms, Io=15mA	Fig.2
Output saturation voltage 1	Vdrip1	—	0.57	0.85	V	VLN - Vo tested at Io=0mA	Fig.1
Output saturation voltage 2	Vdrip2	—	1.3	1.8	V	VLN - Vo tested at vLN=1.5Vrms, Io=15mA	Fig.1
Output voltage	Vo	2.2	3.3	4.4	V		Fig.2
Output current	IoMax.	—	—	30	mA	*	—
Rs resistance	Rs	—	20	—	Ω		—
Distortion	dtot	—	—	2.0	%	vLN=1.5Vrms	Fig.1
Return loss	BRL	25	—	—	dB	Standard impedance 600Ω	Fig.3
Secondary high-frequency line output level	VLN2H	—	-58	—	dBm	f=500Hz vLN=0dBm Zline=600Ω	Fig.1
Tertiary high-frequency line output level	VLN3H	—	-60	—	dBm		Fig.1
VLN pin noise output level	Vni	—	-83	—	dBm	vLN=0V, RL=600Ω CCITT P53 BPF used	Fig.1

* The maximum output current is restricted by the power dissipation, and should be set so that the temperature and other factors do not cause the power dissipation to be exceeded. The internal power dissipation for the IC is expressed using the equation below.

(Internal IC power dissipation) = (power applied to LN pin) - (output power)
 $Pd = 2 \cdot V_{LN} \cdot I_o - V_o \cdot I_o$

●Measurement circuits

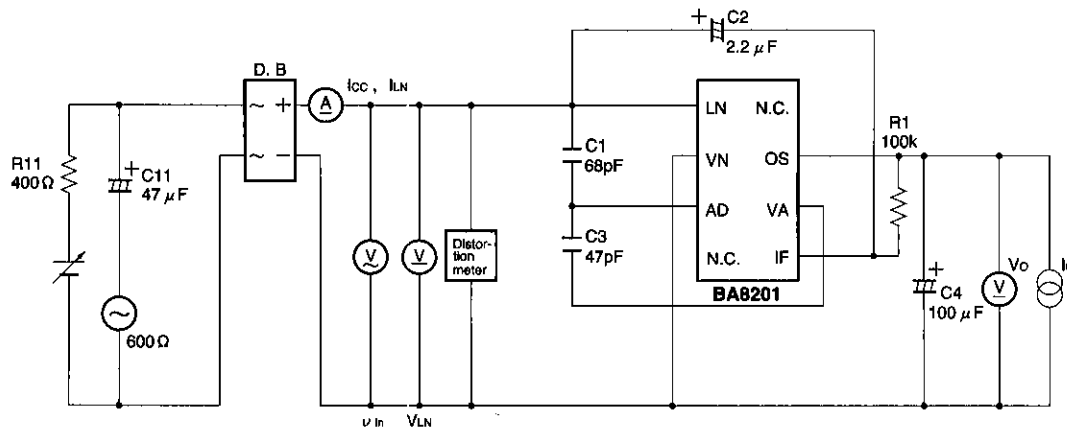


Fig. 1 Measurement circuit (1)

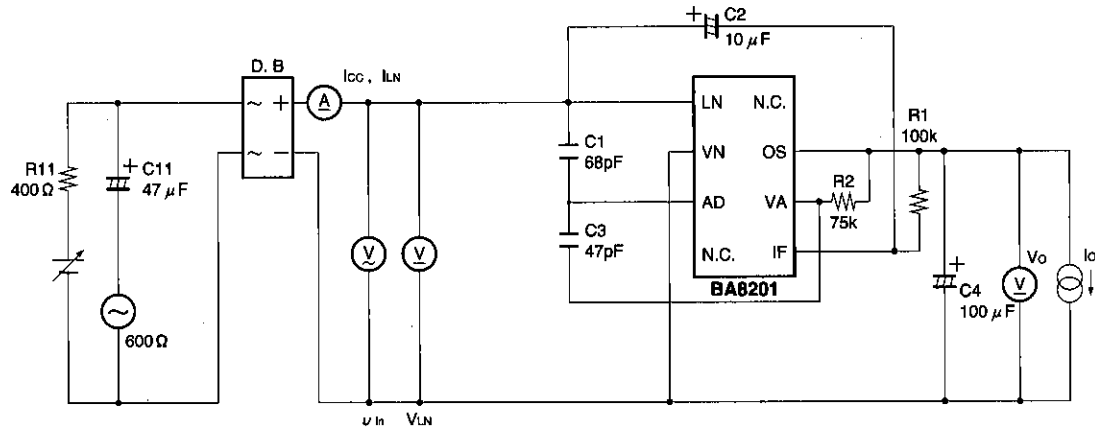


Fig. 2 Measurement circuit (2)

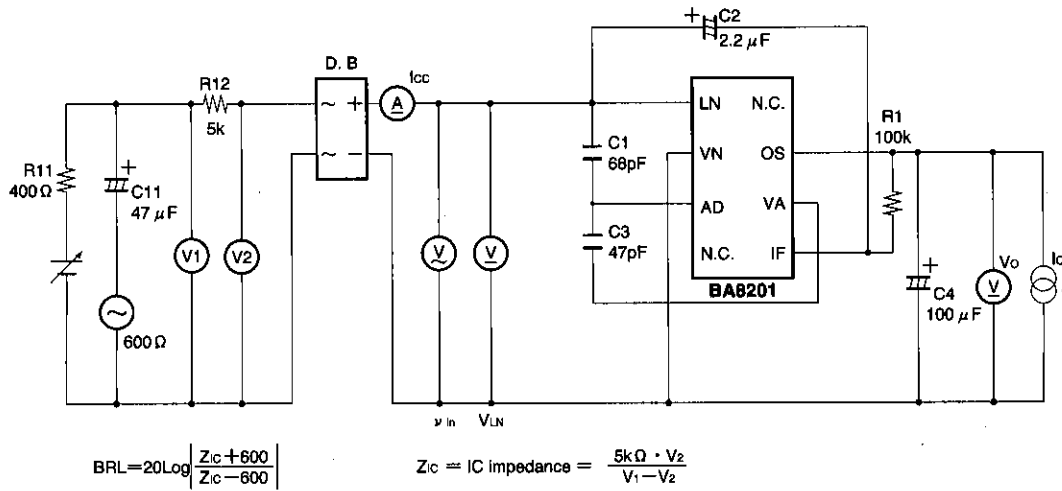


Fig. 3 Measurement circuit (3)

Pseudo inductance

Telephones

●Application example

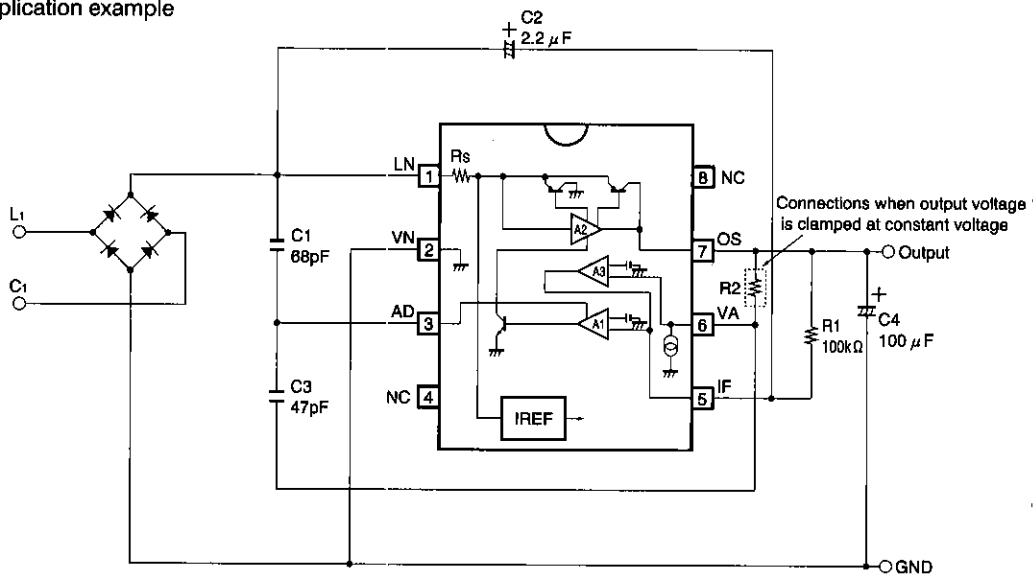


Fig. 4

●Description of attachments

C1 :

This is a capacitor for phase compensation, and is normally connected at 68pF.

C2 :

This is a coupling capacitor. The inductance from the telephone line changes based on this value. Normally, a value of 2.2 μF to 10 μF is appropriate.

C3 :

This is a capacitor for phase compensation, and is normally connected at 47pF.

C4 :

This is the capacitor for balancing the output. It suppresses rippling in the output and also carries out decoupling for the bias voltage supply of the IF pin. It should be adjusted based on the output current, load, and other factors.

R1 :

Bias is applied from this pin to the IF pin. The inductance from the telephone line changes based on this value. Normally, a value of 100kΩ is appropriate.

R2 :

This can be connected between Pins 6 and 7 to clamp the output voltage. The output voltage is expressed using the equation below.

$$V_o (V) = 2 \times 22 (\mu A) \times R_2 (\Omega) \text{ (reference value)}$$

* 22 μA is the reference internal current source for the IC.

●Electrical characteristic curves

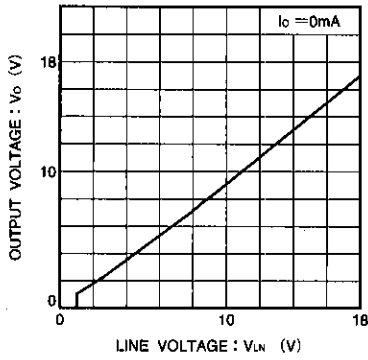


Fig. 5 Output voltage vs. line voltage characteristic (without R2)

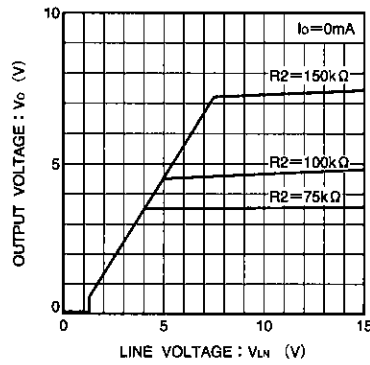


Fig. 6 Output voltage vs. line voltage characteristic (with R2)

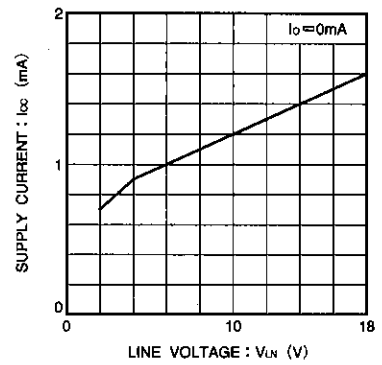


Fig. 7 Supply current vs. line voltage characteristic

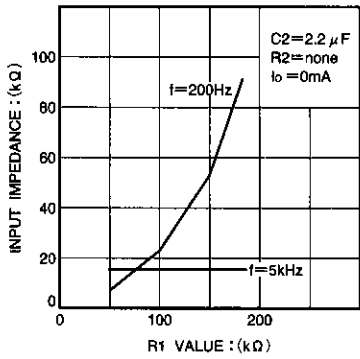


Fig. 8 LN input impedance vs. R1 characteristic

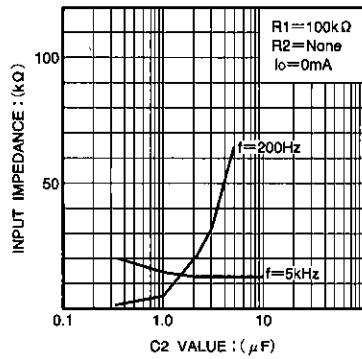
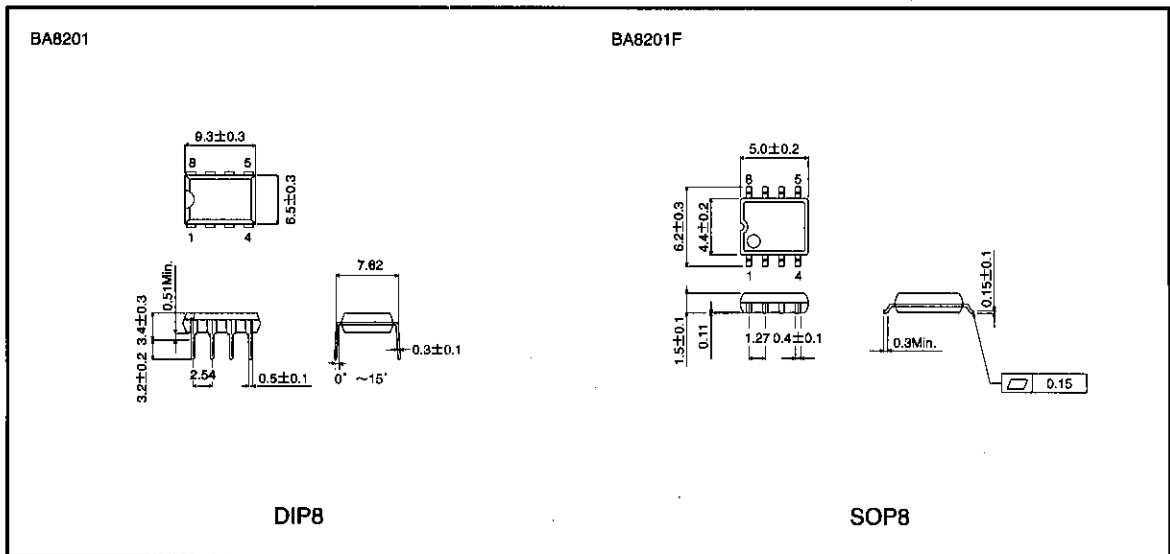


Fig. 9 LN input impedance vs. C2 characteristic

Pseudo inductance

Telephones

● External dimensions (Units: mm)



Notes

- The contents described in this catalogue are correct as of March 1997.
- No unauthorized transmission or reproduction of this book, either in whole or in part, is permitted.
- The contents of this book are subject to change without notice. Always verify before use that the contents are the latest specifications. If, by any chance, a defect should arise in the equipment as a result of use without verification of the specifications, ROHM CO., LTD., can bear no responsibility whatsoever.
- Application circuit diagrams and circuit constants contained in this data book are shown as examples of standard use and operation. When designing for mass production, please pay careful attention to peripheral conditions.
- Any and all data, including, but not limited to application circuit diagrams, information, and various data, described in this catalogue are intended only as illustrations of such devices and not as the specifications for such devices. ROHM CO., LTD., disclaims any warranty that any use of such device shall be free from infringement of any third party's intellectual property rights or other proprietary rights, and further, assumes absolutely no liability in the event of any such infringement, or arising from or connected with or related to the use of such devices.
- Upon the sale of any such devices; other than for the buyer's right to use such devices itself, resell or otherwise dispose of the same; no express or implied right or license to practice or commercially exploit any intellectual property rights or other proprietary rights owned or controlled by ROHM CO., LTD., is granted to any such buyer.
- The products in this manual are manufactured with silicon as the main material.
- The products in this manual are not of radiation resistant design.

The products listed in this catalogue are designed to be used with ordinary electronic equipment or devices (such as audio-visual equipment, office-automation equipment, communications devices, electrical appliances, and electronic toys). Should you intend to use these products with equipment or devices which require an extremely high level of reliability and the malfunction of which would directly endanger human life (such as medical instruments, transportation equipment, aerospace machinery, nuclear-reactor controllers, fuel controllers, or other safety devices) please be sure to consult with our sales representatives in advance.

- Notes when exporting
 - It is essential to obtain export permission when exporting any of the above products when it falls under the category of strategic material (or labor) as determined by foreign exchange or foreign trade control laws.
 - Please be sure to consult with our sales representatives to ascertain whether any product is classified as a strategic material.