

Tone ringer IC for telephone set

BA8206/BA8206F

The BA8206 and BA8206F are tone ringer ICs which produce a bell sound from a ringing signal. The frequency of the bell sound can be varied by changing the constants of the external resistance and capacitors.

The operation initiation current dissipation can be changed at the RSL pin.

Also, the output load can be selected, as a piezoelectric buzzer, a transformer coupled speaker, or other similar devices.

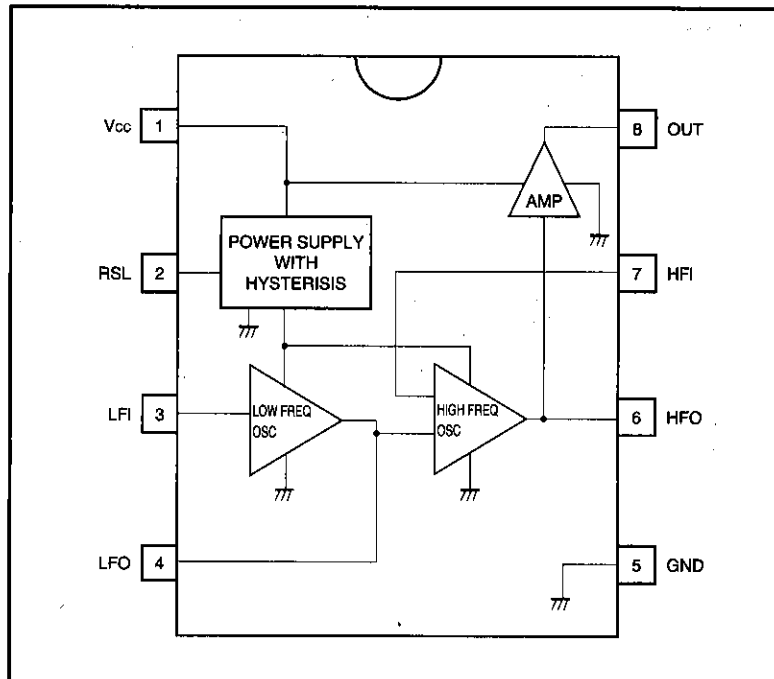
●Applications

Telephones, multi-function telephones, telephone answering machines, facsimile machines, equipment involving telephones

●Features

- 1) Low current consumption.
- 2) Withstands up to 40V.
- 3) Operation initiation current dissipation can be changed using RSL pin.
- 4) Pin layout is compatible with the BA8205, BA6565A, and ML8205.

●Block diagram



Telephones Tone ringer

● Absolute maximum ratings (Ta=25°C)

Parameter	Symbol	Limits	Unit
Power supply voltage	V _{CC}	40	V
Power dissipation	BA8206	500*1	mW
	BA8206F	450*2	
Operating temperature	T _{opr}	-25~75	°C
Storage temperature	T _{stg}	-55~125	°C

*1 Reduced by 5mW for each increase in Ta of 1°C over 25°C.

*2 Reduced by 4.5mW for each increase in Ta of 1°C over 25°C.

● Recommended operating conditions (Ta=25°C)

Parameter	Symbol	Min.	Typ.	Max.	Unit
Power supply voltage	V _{opr}	—	—	38	V

● Electrical characteristics (Unless otherwise noted, Ta=25°C, V_{CC}=24V)

Parameter	Symbol	Min.	Typ.	Max.	Unit	Conditions	Measurement Circuit
Initial supply voltage	V _{si}	14	16	18	V	*1	Fig.4
Sustained operation supply voltage	V _{sus}	8.2	9.8	11.2	V	*2	Fig.4
Initial supply current	I _{si}	0.9	1.3	1.7	mA	No load, V _{CC} = V _{si}	Fig.4
Sustained operation supply current	I _{sus}	0.22	0.4	0.7	mA	No load, V _{CC} = V _{sus}	Fig.4
Oscillation frequency*3	f _L	9	10	11	Hz	R ₁ =773kΩ, C ₁ =0.1μF	Fig.5
Oscillation frequency*3	f _{H1}	461	512	563	Hz	R ₂ =595kΩ, C ₂ =0.0022μF	Fig.5
Oscillation frequency*3	f _{H2}	576	640	703	Hz	R ₂ =595kΩ, C ₂ =0.0022μF	Fig.5
"H" output voltage	V _{OH}	19.7	22.0	23.5	V	I _{OH} =10mA, 7pin=GND	Fig.4
"L" output voltage	V _{OL}	0.5	0.9	1.4	V	I _{OL} =10mA, 7pin=6V	Fig.4
Ringer threshold voltage	V _{TR}	—	—	36.0	V _{rms}	R _{SL} =9.1kΩ	Fig.6
Output leakage current	I _{LE}	—	—	1.0	μA		Fig.6

*1 The initial supply voltage is the power supply voltage required for the tone ringer to begin oscillating.

*2 The sustained operation voltage is the power supply voltage required for the tone ringer to continue oscillating.

*3 The oscillation frequency is determined using the following equation.

$$f_L = \frac{1}{1.234 \times R_1 \times C_1} \text{ (Hz)}$$

$$f_{H1} = \frac{1}{1.515 \times R_2 \times C_2} \text{ (Hz)}$$

$$f_{H2} = 1.24 \times f_{H1} \text{ (Hz)}$$

The recommended values for R1 and R2 are 300 kΩ or higher.

The ringer threshold voltage is the AC voltage required for the tone ringer to start ringing through the circuit shown in Fig. 6

●Electrical characteristic curves

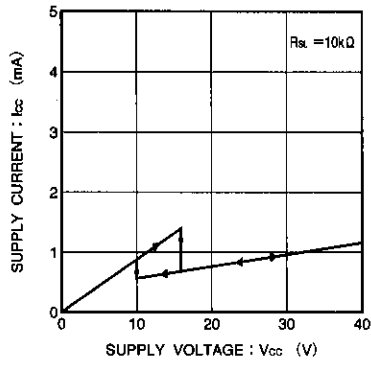


Fig. 1 Supply current vs. supply voltage characteristic

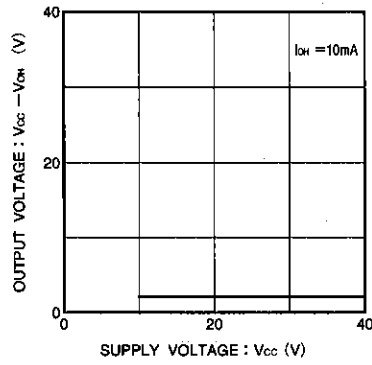


Fig. 2 Output voltage vs. supply voltage characteristic (transistor on source side)

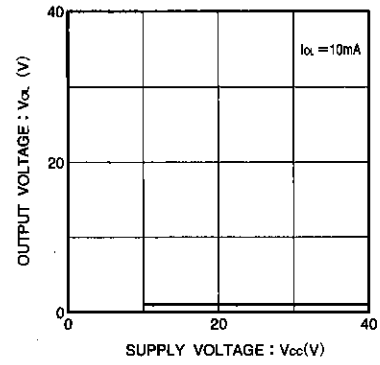
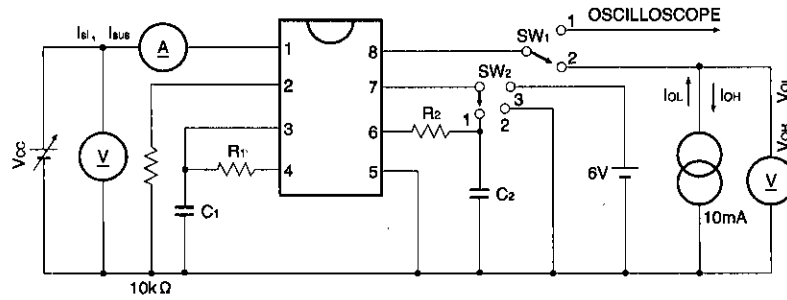


Fig. 3 Output voltage vs. supply voltage characteristic (transistor on sink side)

●Measurement circuits



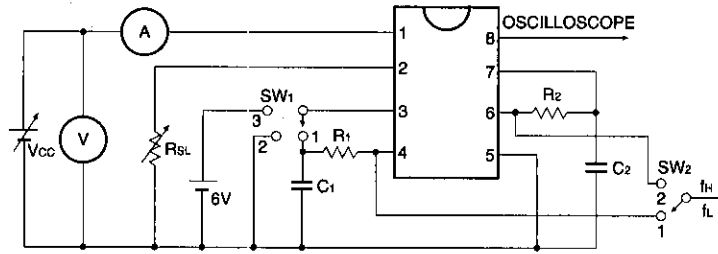
$R_1=773k\Omega$, $C_1=0.1\mu F$
 $R_2=595k\Omega$, $C_2=0.0022\mu F$

(Note) The table below shows the statuses for SW₁ and SW₂.

Item	SW ₁	SW ₂
V _{bi} , V _{bus}	1	1
I _{bi} , I _{bus}	1	1
V _{OH}	2	2
V _{OL}	2	3

Fig. 4

Telephones
Tone ringer



$R_1=773k\Omega$, $C_1=0.1\mu F$

$R_2=595k\Omega$, $C_2=0.0022\mu F$

(Note) The table below shows the statuses for SW₁ and SW₂.

Item	SW ₁	SW ₂
f_L	1	1
f_{H1}	3	2
f_{H2}	2	2

Fig. 5

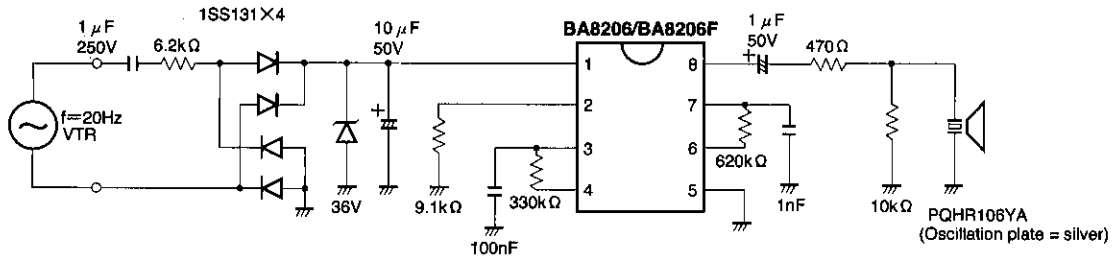


Fig. 6

● Circuit operation

Using the RSL pin

With the BA8206 and BA8206F, the RSL pin can be used to change the initial supply current (I_{s1}).

As shown in Figure 7, resistor RSL is connected from the RSL pin (Pin 2) to the GND. The operation initiation current consumption can be changed by changing the value of the resistor RSL.

Figure 8 shows the supply voltage (V_{cc}) - supply current (I_{cc}) characteristics when the value of the resistor RSL is changed.

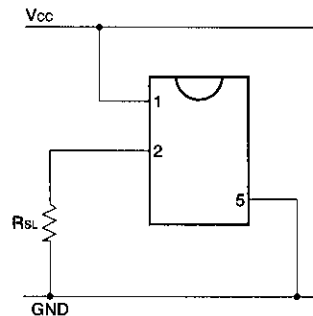


Fig. 7

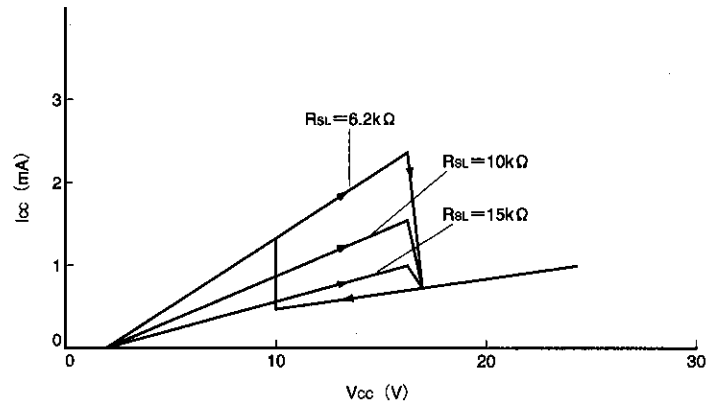


Fig. 8

●Pin description

Pin No.	Symbol	Name	Function
1	Vcc	Power supply pin	This is the power supply pin for the IC. It is connected to the (⊕) pin of the diode bridge.
2	RSL	RSL pin	This is used to change the operation initiation current when connected to the GND pin.
3	LFI	Low-frequency time constant connector pin	This is connected to the time constant that determines the oscillation frequency on the warble.
4	LFO		
5	GND	GND pin	This pin has the lowest potential on the IC. It is connected to the (⊖) pin of the diode bridge.
6	HFO	High-frequency time constant connector pin	This is connected to the time constant that determines the oscillation frequency on the tone side (the audible frequency side).
7	HFI		
8	OUT	Output pin	This is used to connect a piezoelectric buzzer, or to connect a dynamic speaker through a transformer.

●Application example

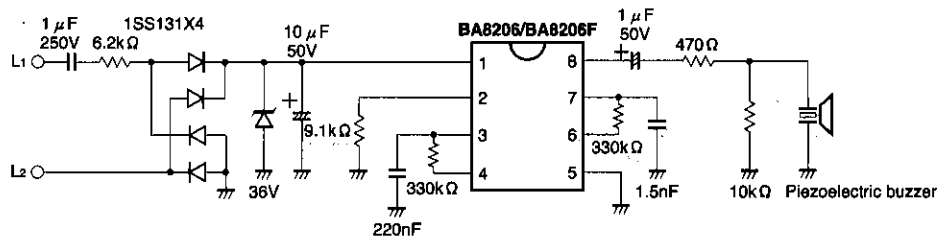
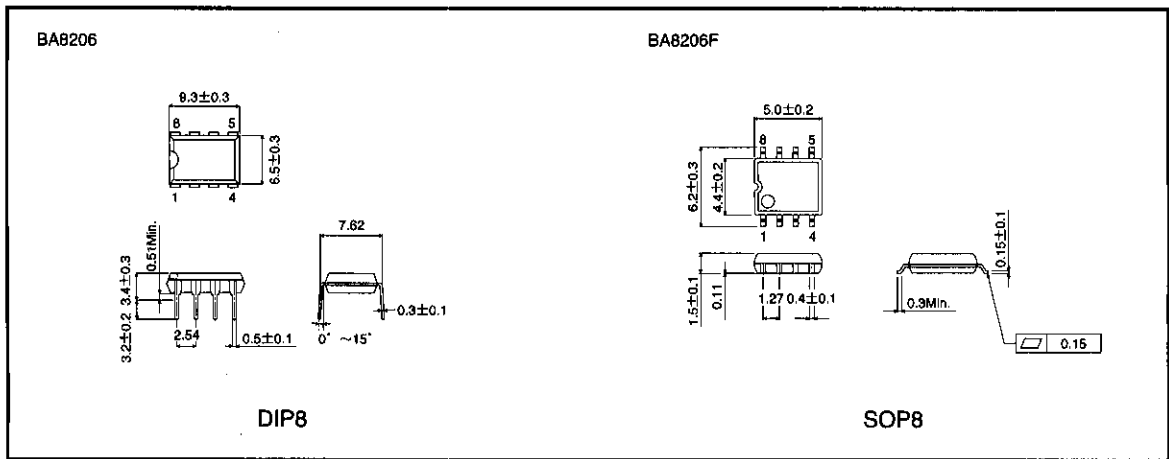


Fig. 9

Tone ringer

Telephones

● External dimensions (Units: mm)



Notes

- The contents described in this catalogue are correct as of March 1997.
- No unauthorized transmission or reproduction of this book, either in whole or in part, is permitted.
- The contents of this book are subject to change without notice. Always verify before use that the contents are the latest specifications. If, by any chance, a defect should arise in the equipment as a result of use without verification of the specifications, ROHM CO., LTD., can bear no responsibility whatsoever.
- Application circuit diagrams and circuit constants contained in this data book are shown as examples of standard use and operation. When designing for mass production, please pay careful attention to peripheral conditions.
- Any and all data, including, but not limited to application circuit diagrams, information, and various data, described in this catalogue are intended only as illustrations of such devices and not as the specifications for such devices. ROHM CO., LTD., disclaims any warranty that any use of such device shall be free from infringement of any third party's intellectual property rights or other proprietary rights, and further, assumes absolutely no liability in the event of any such infringement, or arising from or connected with or related to the use of such devices.
- Upon the sale of any such devices; other than for the buyer's right to use such devices itself, resell or otherwise dispose of the same; no express or implied right or license to practice or commercially exploit any intellectual property rights or other proprietary rights owned or controlled by ROHM CO., LTD., is granted to any such buyer.
- The products in this manual are manufactured with silicon as the main material.
- The products in this manual are not of radiation resistant design.

The products listed in this catalogue are designed to be used with ordinary electronic equipment or devices (such as audio-visual equipment, office-automation equipment, communications devices, electrical appliances, and electronic toys). Should you intend to use these products with equipment or devices which require an extremely high level of reliability and the malfunction of which would directly endanger human life (such as medical instruments, transportation equipment, aerospace machinery, nuclear-reactor controllers, fuel controllers, or other safety devices) please be sure to consult with our sales representatives in advance.

- Notes when exporting
 - It is essential to obtain export permission when exporting any of the above products when it falls under the category of strategic material (or labor) as determined by foreign exchange or foreign trade control laws.
 - Please be sure to consult with our sales representatives to ascertain whether any product is classified as a strategic material.