

Serial sound control IC

BH3854AS / BH3854AFS

The BH3854AS and BH3854AFS are signal processing ICs designed for volume and tone control in CD radio cassettes and other audio products. Their three-line serial control enables them to control volume and tone on the basis of signals from a microcomputer, etc.

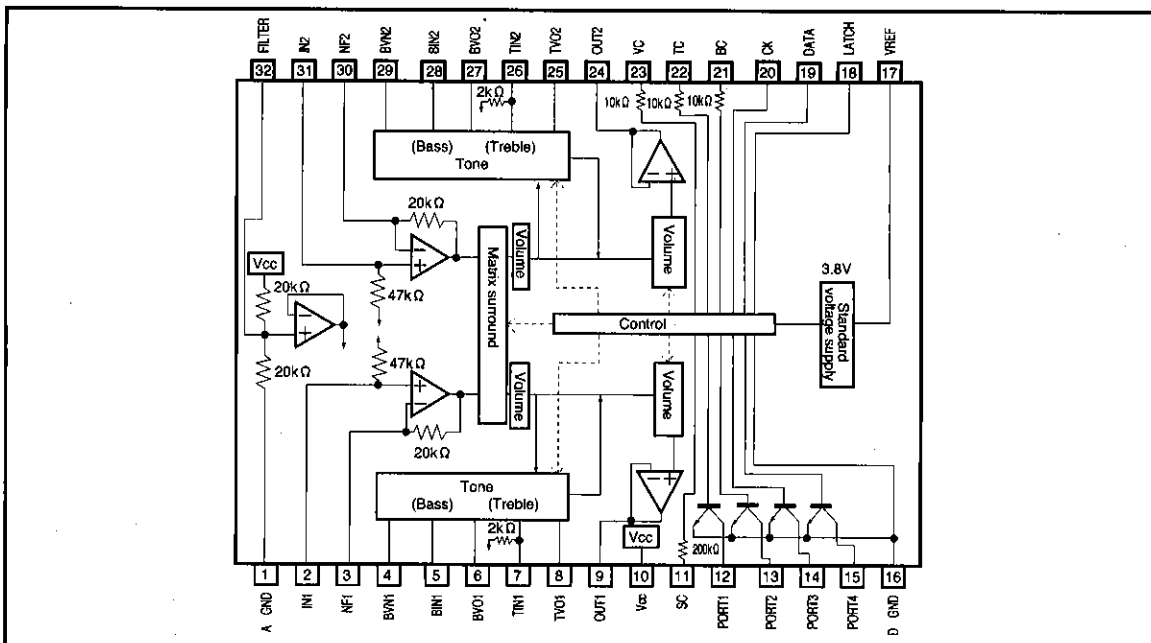
●Applications

CD radio cassettes, mini component stereo systems, car stereos

●Features

- 1) They facilitate direct serial control from a micro-computer of volume (main volume) and tone (bass, treble). DC control is also possible.
- 2) Volume is produced by a low-distortion, low-noise VCA. Designed to minimize step noise.
- 3) Input amp can be used for gain adjustment, and matrix surround yields powerful sound.
- 4) Stable standard voltage supply and built-in I/O buffer mean that few attachments are needed. SSOP32 package designed to save space.
- 5) Open collector has four outputs, which makes logic control possible.
- 6) Excellent for volume and tone control devices in CD radio cassettes, micro components, car stereos, televisions, etc.
- 7) Digital GND pin and analog GND pin are separated with an impedance of more than 1MΩ.

●Block diagram



* Supply of DC voltage from the VC (volume), BC (bass), TC (treble), and SC (surround) pins facilitates external control of volume, bass, treble, and surround.
 * Impedance at the VC, TC, and BC pins is 10 kΩ (Typ.).
 * Impedance at the SC pin is 200 kΩ (Typ.).

Audio accessory components



● Absolute maximum ratings (Ta = 25°C)

Parameter	Symbol	Limits	Unit	
Supply voltage	V _{cc}	8	V	
Power dissipation	Pd	BH3854AS	1250* ¹	mW
		BH3854AFS	1000* ²	
Operating temperature	T _{opr}	-40~85	°C	
Storage temperature	T _{stg}	BH3854AS	-55~125	°C
		BH3854AFS	-55~150	

*1 When used with a Ta greater than 25°C, reduce the power dissipation by 12.5 mW for every 1°C over 25°C.

*2 When used with a Ta greater than 25°C, reduce the power dissipation by 8 mW for every 1°C over 25°C.

● Recommended operating conditions (Ta = 25°C)

Parameter	Symbol	Min.	Typ.	Max.	Unit
Supply voltage	V _{cc}	5.4	8.0	9.5	V

● Pin description

Pin No.	Pin Name	Function
1	A GND	Analog system ground
2	IN1	Pin for ch 1 volume input
3	NF1	Pin for adjustment of input amp gain
4	BVN1	Pin for connection to ch 1 low-band filter
5	BIN1	Pin for connection to ch 1 low-band filter
6	BVO1	Pin for connection to ch 1 low-band filter
7	TIN1	Pin for connection to ch 1 high-band filter
8	TVO1	Pin for connection to ch 1 high-band filter
9	OUT1	Pin for ch 1 volume output
10	V _{cc}	Power supply pin
11	SC	Time constant pin for prevention of switching shock
12	PORT1	Output pin
13	PORT2	Output pin
14	PORT3	Output pin
15	PORT4	Output pin
16	D GND	Digital system ground

Pin No.	Pin Name	Function
17	VREF	3.8V standard voltage output pin
18	LATCH	Pin for receiving LATCH data
19	DATA	Pin for receiving DATA
20	CK	Pin for receiving CLOCK data
21	BC	Time constant port for prevention of switching shock
22	TC	Time constant port for prevention of switching shock
23	VC	Time constant port for prevention of switching shock
24	OUT2	Pin for ch 2 volume output
25	TVO2	Pin for connection to ch 2 high-band filter
26	TIN2	Pin for connection to ch 2 high-band filter
27	BVO2	Pin for connection to ch 2 low-band filter
28	BIN2	Pin for connection to ch 2 low-band filter
29	BVN2	Pin for connection to ch 2 low-band filter
30	NF2	Pin for adjustment of input AMP gain
31	IN2	Pin for ch 2 volume input
32	FILTER	Filter pin

- Electrical characteristics (Unless otherwise specified, $T_a = 25^\circ\text{C}$, $V_{CC} = 8\text{V}$, $f = 1\text{kHz}$, $\text{BW} = 20 \sim 20\text{kHz}$, $\text{VOL} = \text{Max}$, $\text{TONE} = \text{ALL FLAT}$, $R_g = 600\ \Omega$, $R_L = 10\text{k}\ \Omega$, $\text{INPUT AMP GAIN} = 0\text{dB}$)

Parameter	Symbol	Min.	Typ.	Max.	Unit	Conditions
Quiescent current	I_Q	8	17	25	mA	No signal
Max. input	V_{in}	1.8	2.0	—	Vrms	THD=1%, VOL=-20dB(ATT)
Max. output	V_{om}	1.8	2.0	—	Vrms	THD=1%
Voltage gain	G_v	-3.0	-1.0	1.0	dB	$V_{in}=1\text{Vrms}$
Max. attenuation	ATT	90	110	—	dB	$V_o=1\text{Vrms}$
Cross talk	V_{CT}	64	70	—	dB	$V_o=1\text{Vrms}$, BPF=400Hz~30kHz
Low-band control width	V_{Bmax}	12	15	18	dB	75Hz, $V_{in}=100\text{mVrms}$
	V_{Bmin}	-18	-15	-12	dB	75Hz, $V_{in}=100\text{mVrms}$
High-band control width	V_{Tmax}	12	15	18	dB	10kHz, $V_{in}=100\text{mVrms}$
	V_{Tmin}	-18	-15	-12	dB	10kHz, $V_{in}=100\text{mVrms}$
Mute attenuation	V_{MT}	90	110	—	dB	$V_o=1\text{Vrms}$ *
Harmonic distortion	THD	—	0.03	0.1	%	$V_o=0.3\text{Vrms}$, BPF=400Hz~30kHz
Output noise voltage	V_{No1}	—	25	34	μVrms	No signal, VOL=MAX, $R_g=0$ *
Output noise voltage during full boost	V_{No2}	—	80	120	μVrms	No signal, TONE=ALL MAX, VOL=MAX, $R_g=0$ *
Residual output noise voltage	V_{MNO}	—	2	10	μVrms	No signal, VOL=- ∞ , $R_g=0$ *
Standard power supply output voltage	V_{REF}	3.5	3.8	4.1	V	$I_{REF}=3\text{mA}$
Standard power supply output current power	I_{REF}	3.0	10	—	mA	$V_{REF}>3.7\text{V}$
Channel balance	G_{CB}	-2.0	0	2.0	dB	CH1 taken as the standard for measurements.
Port output current	I_{PMAX}	5.0	—	—	mA	
L output voltage	V_{OL}	—	0.4	0.5	V	$I_{OL}=5\text{mA}$
H output disable current	I_{OZH}	—	—	1.0	μA	$V_o=5\text{V}$
Volume attenuation (-10 dB)	ATT10	-12.0	-10.0	-8.0	dB	$V_{IN}=0\text{dBV}$ is the gain when the control data (10101010) is entered.

* Items marked with an asterisk (*) were measured with the VP-9690A (displays mean detection and effective value), produced by Matsushita Communication Industrial.

⊙ Not designed for radiation resistance.

● Timing chart constants

Parameter	Symbol	Min.	Typ.	Max.	Unit
H input voltage	V_{IH}	4.0	5.0	6.0	V
L input voltage	V_{IL}	—	0	1.0	V
Min. clock width	t_w	2.0	—	—	μS
Min. data width	t_w (DATA)	2.0	—	—	μS
Min. latch width	t_w (LATCH)	2.0	—	—	μS
Setup time (DATA→CLK)	t_{su}	1.0	—	—	μS
Hold time (CLK→DATA)	t_h	1.0	—	—	μS
Setup time (CLK→LATCH)	t_s	1.0	—	—	μS

Note: About the output pins...

- Pins 1 through 4 (pins 12 through 15) are reset when the power is turned ON.
- After the pins are reset, until the V_{CC} voltage setting for this IC (BH3854) is reached and the next data is input, the pins only operate while the CK, DATA, and LATCH lines are all maintained at LOW.
- Be sure that no more than 9V is applied to any of the output pins.

Sound control

Audio accessory components

● Measurement circuit

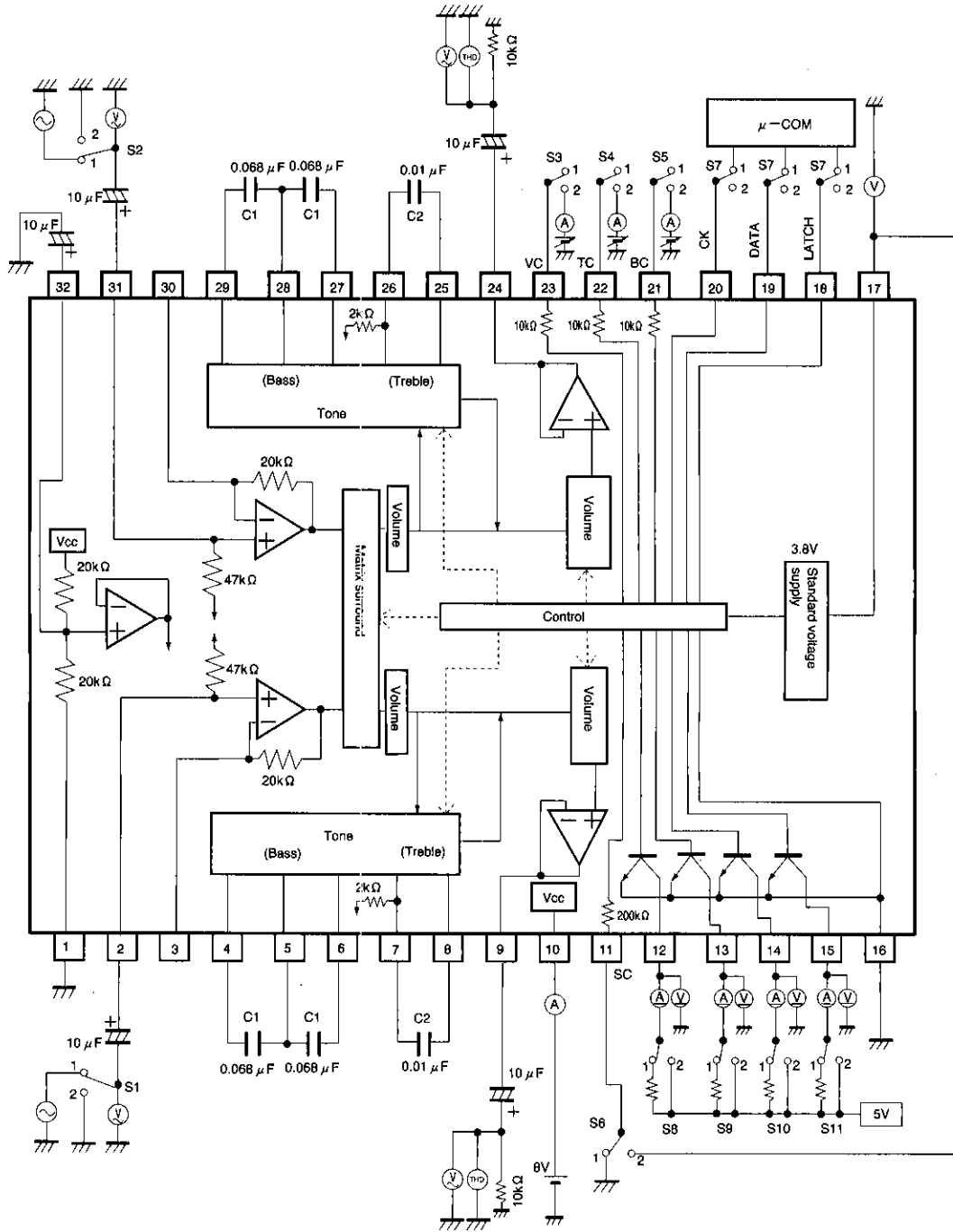


Fig. 1

● Operation of measuring circuit switches

Parameter	S1	S2	S3	S4	S5	S6	S7	S8	S9	S10	S11
Quiescent current	2	2	2A	2B	2B	2	2	1	1	1	1
Max. input	↓	↓	2B	↓	↓	↓	↓	↓	↓	↓	↓
Max. output	↓	↓	2A	↓	↓	↓	↓	↓	↓	↓	↓
Voltage gain	↓	↓	↓	↓	↓	↓	↓	↓	↓	↓	↓
Max. attenuation	↓	↓	A→C	↓	↓	↓	↓	↓	↓	↓	↓
Cross talk	1.2	2.1	2A	↓	↓	↓	↓	↓	↓	↓	↓
Low-band control width	Boost	1	1	↓	↓	2A	↓	↓	↓	↓	↓
	Cut	↓	↓	↓	↓	2C	↓	↓	↓	↓	↓
High-band control width	Boost	↓	↓	↓	2A	2B	↓	↓	↓	↓	↓
	Cut	↓	↓	↓	2C	↓	↓	↓	↓	↓	↓
Mute attenuation	↓	↓	A→C	2B	↓	↓	↓	↓	↓	↓	↓
Harmonic distortion	↓	↓	2A	↓	↓	↓	↓	↓	↓	↓	↓
Output noise voltage	2	2	↓	↓	↓	↓	↓	↓	↓	↓	↓
Output noise voltage during full boost	↓	↓	↓	2A	2A	↓	↓	↓	↓	↓	↓
Residual output noise voltage	↓	↓	2C	2B	2B	↓	↓	↓	↓	↓	↓
Standard power supply output voltage	↓	↓	2A	↓	↓	↓	↓	↓	↓	↓	↓
Standard power supply output current power	↓	↓	↓	↓	↓	↓	↓	↓	↓	↓	↓
Channel balance	1	1	↓	↓	↓	↓	↓	↓	↓	↓	↓
Port output current	2	2	↓	↓	↓	↓	1	↓	↓	↓	↓
L output voltage	↓	↓	↓	↓	↓	↓	↓	↓	↓	↓	↓
H output disable current	↓	↓	↓	↓	↓	↓	↓	2	2	2	2

*A, B, and C in the table represent the level of the variable voltage supply.
 A = 3.8V
 B = 1.9V
 C = 0V

Sound control

Audio accessory components

● Pin description

Symbol	Pin No	Pin voltage	Equivalent circuit	Description
IN1 IN2	2pin 31pin	4.3V 4.3V		Main volume input pin. Designed for input impedance of 47 kΩ (Typ).
NF1 NF2	3pin 30pin	4.3V 4.3V		Pin for adjustment of input amp gain. Approximately +6 dB with connection of 20 kΩ resistance.
BN1 BN2	4pin 29pin	4.3V 4.3V		Pin for low band filter connection.
BIN1 BIN2	5pin 28pin	4.3V 4.3V		Pin for low band filter connection.
BV01 BV02	6pin 27pin	4.3V 4.3V		Pin for low band filter connection.
FILTER	32pin	4.0V		Filter input pin. Filter input pin designed to operate at approximately 1/2 Vcc. Please install a capacitor of about 10 μF to the filter pin. Has built-in precharge and discharge circuits.
TIN1 TIN2	7pin 26pin	4.3V 4.3V		Pin for high band filter connection.

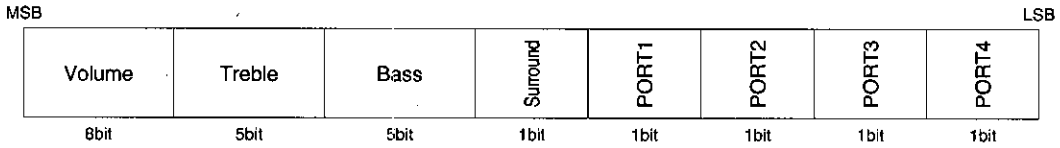
Symbol	Pin No	Pin voltage	Equivalent circuit	Description
TV01 TV02	8pin 25pin	4.3V 4.3V		Pin for high band filter connection.
OUT1 OUT2	9pin 24pin	4.0V 4.0V		Main volume output pin. OUT1 is the volume output for CH1. OUT2 is the volume output for CH2.
SC BC TC VC	11pin 21pin 22pin 23pin			Time constant pin for prevention of switching shock noise SC : Surround pin BC : Bass pin TC : Treble pin VC : Volume pin
PORT1 PORT2 PORT3 PORT4	12pin 13pin 14pin 15pin			Output pin. Open collector output. Can pull a maximum of 5 mA.
VREF	17pin	3.8V		3.8V regulator output pin. Output requires capacitor for stopping oscillation. Output pin has built-in precharge and discharge circuits, so there is no problem with start-up or shut-down even with a large capacitor.
LATCH DATA CK	18pin 19pin 20pin			Pin for receiving data from μ com. LATCH : latch line DATA : data line CK : clock line
VCC	10pin	8V		Power supply voltage pin.
A_GND	1pin	0V		Analog GND pin. Connected to IC board.
D_GND	16pin	0V		Digital GND pin. Separate from Analog GND pin.

Note: All figures for pin voltage assume a power supply voltage (VCC) of 8V.

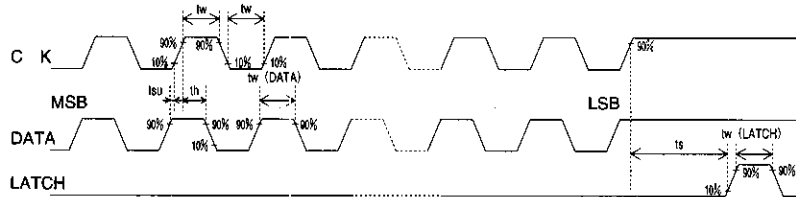
Sound control

Audio accessory components

- Digital control specifications
- Data format : total of 23 bits

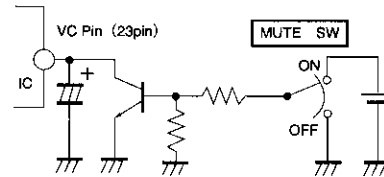


● Timing (recommended conditions)



★For timing chart constants, see the electrical characteristics.

- Surround is **ON** when the bit data is 0, and **OFF** when the bit data is 1.
- Pins 1 through 4 are set so that the output transistors will turn OFF if data is not input when the power is turned ON. They turn ON when the bit data is 1, and OFF when the bit data is 0.
- "H" level is 4V or greater. "L" level is 1V or less.
- Make the end of each control command LOW.



- The MUTE function can be controlled externally if the VC (volume control) pin is configured as shown in the diagram above. Attenuation is equal to the figure for attenuation when volume is at MIN.

● Volume data settings (reference values)

HEX Notation	Volume Gain	MSB								LSB
		V ₈	V ₇	V ₆	V ₅	V ₄	V ₃	V ₂	V ₁	
FF	0dB	1	1	1	1	1	1	1	1	1
E5	-1dB	1	1	1	0	0	1	0	1	1
DB	-2dB	1	1	0	1	1	0	1	1	1
D3	-3dB	1	1	0	1	0	0	1	1	1
CC	-4dB	1	1	0	0	1	1	0	0	0
C6	-5dB	1	1	0	0	0	1	1	0	0
C0	-6dB	1	1	0	0	0	0	0	0	0
BA	-7dB	1	0	1	1	1	0	1	0	0
B5	-8dB	1	0	1	1	0	1	0	1	1
B0	-9dB	1	0	1	1	0	0	0	0	0
AB	-10dB	1	0	1	0	1	0	1	1	1
A7	-11dB	1	0	1	0	0	1	1	1	1
A3	-12dB	1	0	1	0	0	0	1	1	1
9F	-13dB	1	0	0	1	1	1	1	1	1
9C	-14dB	1	0	0	1	1	1	0	0	0
98	-15dB	1	0	0	1	1	0	0	0	0
95	-16dB	1	0	0	1	0	1	0	1	1
91	-17dB	1	0	0	1	0	0	0	0	1
8E	-18dB	1	0	0	0	1	1	1	0	0
8A	-19dB	1	0	0	0	1	0	1	0	0

HEX Notation	Volume gain	MSB							LSB	
		V ₈	V ₇	V ₆	V ₅	V ₄	V ₃	V ₂	V ₁	
87	-20dB	1	0	0	0	0	1	1	1	
81	-22dB	1	0	0	0	0	0	0	1	
7B	-24dB	0	1	1	1	1	0	1	1	
75	-26dB	0	1	1	1	0	1	0	1	
70	-28dB	0	1	1	1	0	0	0	0	
6B	-30dB	0	1	1	0	1	0	1	1	
66	-32dB	0	1	1	0	0	1	1	0	
62	-34dB	0	1	1	0	0	0	1	0	
5D	-36dB	0	1	0	1	1	1	0	1	
59	-38dB	0	1	0	1	1	0	0	1	
55	-40dB	0	1	0	1	0	1	0	1	
51	-42dB	0	1	0	1	0	0	0	1	
4D	-44dB	0	1	0	0	1	1	0	1	
4A	-46dB	0	1	0	0	1	0	1	0	
47	-48dB	0	1	0	0	0	1	1	1	
43	-50dB	0	1	0	0	0	0	1	1	
40	-52dB	0	1	0	0	0	0	0	0	
3D	-54dB	0	0	1	1	1	1	0	1	
3A	-56dB	0	0	1	1	1	0	1	0	
37	-58dB	0	0	1	1	0	1	1	1	
34	-60dB	0	0	1	1	0	1	0	0	
32	-62dB	0	0	1	1	0	0	1	0	
2F	-64dB	0	0	1	0	1	1	1	1	
2D	-66dB	0	0	1	0	1	1	0	1	
2B	-68dB	0	0	1	0	1	0	1	1	
28	-70dB	0	0	1	0	1	0	0	0	
26	-72dB	0	0	1	0	0	1	1	0	
24	-74dB	0	0	1	0	0	1	0	0	
23	-76dB	0	0	1	0	0	0	1	1	
21	-78dB	0	0	1	0	0	0	0	1	
1F	-80dB	0	0	0	1	1	1	1	1	
1E	-82dB	0	0	0	1	1	1	1	0	
1C	-84dB	0	0	0	1	1	1	0	0	
00	-∞	0	0	0	0	0	0	0	0	

Note: All figures in this table are reference values. When using this IC, check this table carefully and perform the appropriate setting.

Sound control

Audio accessory components

●Treble settings (reference values)

Treble data

Settings					Treble gain (dB)	HEX Notation
MSB				LSB		
0	0	0	0	0	-15	00
0	0	1	0	0	-14	04
0	0	1	1	0	-12	06
0	1	0	0	0	-10	08
0	1	0	0	1	-8	09
0	1	0	1	0	-6	0A
0	1	0	1	1	-4	0B
0	1	1	0	0	-2	0C
0	1	1	1	1	±0	0F
1	0	1	0	0	+2	14
1	0	1	0	1	+4	15
1	0	1	1	0	+6	16
1	0	1	1	1	+8	17
1	1	0	0	0	+10	18
1	1	0	1	0	+12	1A
1	1	1	0	0	+14	1C
1	1	1	1	1	+15	1F

Bass data

Settings					Bass Gain (dB)	HEX Notation
MSB				LSB		
0	0	0	0	0	-15	00
0	0	1	0	1	-14	05
0	0	1	1	1	-12	07
0	1	0	0	1	-10	09
0	1	0	1	0	-8	0A
0	1	0	1	1	-6	0B
0	1	1	0	0	-4	0C
0	1	1	0	1	-2	0D
0	1	1	1	1	±0	0F
1	0	0	1	1	+2	13
1	0	1	0	0	+4	14
1	0	1	0	1	+6	15
1	0	1	1	0	+8	16
1	0	1	1	1	+10	17
1	1	0	0	1	+12	19
1	1	0	1	1	+14	1B
1	1	1	1	1	+15	1F

Notes:1. The gain values in the treble and bass data setting tables above are based on the assumption that the filter constants have been set so that maximum and minimum gain are equal to the peak and bottom values listed in the frequency characteristics drawings.

2. All figures in this table are reference values. When using this IC, check this table carefully and perform the appropriate setting.

● Application example

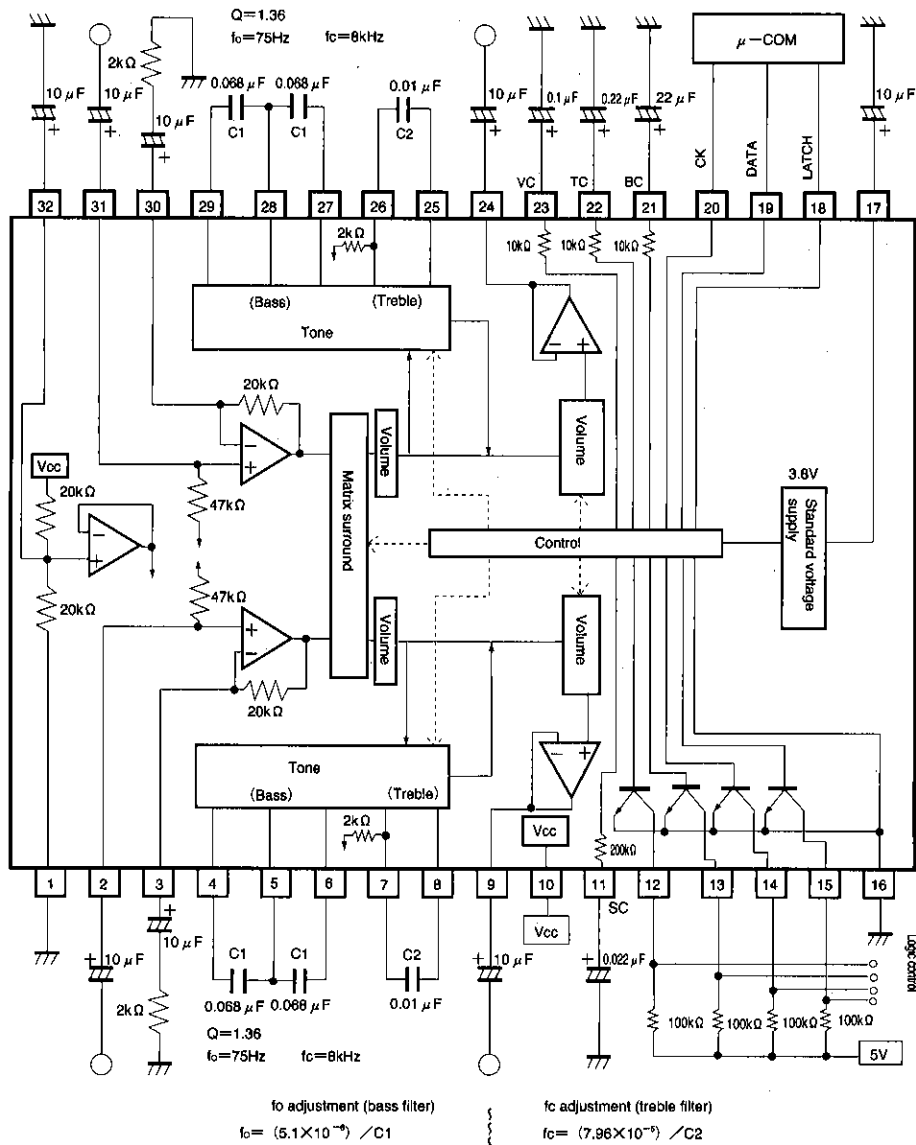


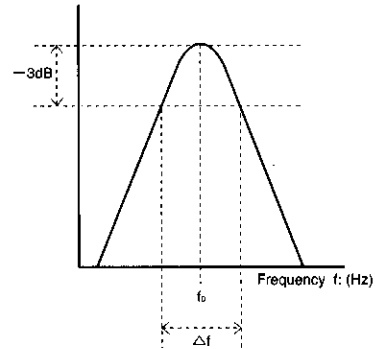
Fig. 2

Audio accessory components Sound control

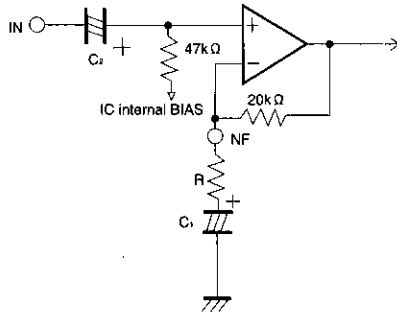
● Operation notes

1. Operating power supply voltage range

As long as the operating power supply voltage and ambient temperature are kept within the specified range, the basic circuits are guaranteed to function, but be sure to check the constants as well as the element settings, voltage settings, and temperature settings. Also, please take into consideration internal IC resistance dispersion (approx. ±20%) and temperature fluctuation when making settings for IC internal resistance, attachment resistance, capacitor gain, or frequency.



2. Primary amp



- The input impedance is 47kΩ.
- A buffer if R and C1 are not present.
- The gain can be set by R and the 20kΩ.

$$G_{VC} = (R + 20k\Omega) / R$$

Note: Set C2 (input coupling) and C1 (used to set the gain) depending on the frequency band used.

- The BPF is composed of a multifeedback active filter.

f₀ can be varied according to the value of C.

(theoretical equation)

$$f_0 = \frac{1}{2\pi} \times \left[\frac{1}{R_1 R_2 C_1 C_2} \right]^{\frac{1}{2}}$$

$$G = \frac{R_2}{5k\Omega} \times \left[1 + \frac{C_1}{C_2} \right]^{-1}$$

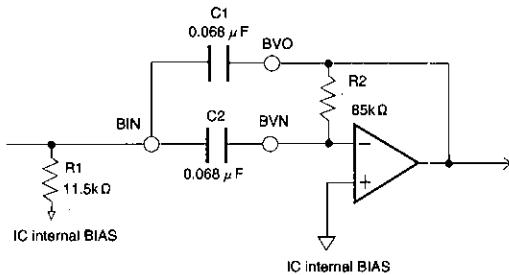
(When R₁ = 11.5kΩ, R₂ = 85kΩ, C₁ = C₂ = C)

$$f_0 = \frac{5.1 \times 10^{-6}}{C} \quad Q \approx 1.36 \quad G = 8.5$$

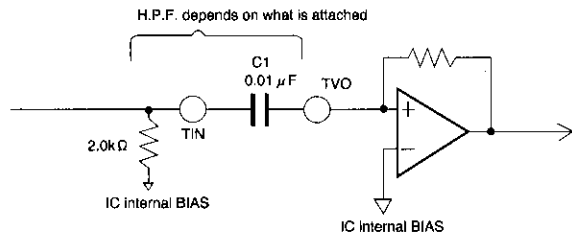
$$Q \approx \left[\left(\frac{R_1}{R_2 C_1 C_2} \right)^{\frac{1}{2}} \times (C_1 + C_2) \right]^{-1}$$

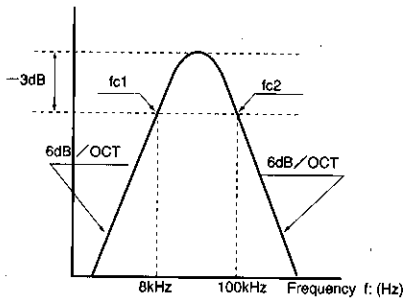
Note: Filter gain is calculated using the equation above. Total output gain is the sum of the gain for each of the internal circuits.

3. Bass filter



4. Treble filter





• Cutoff frequency (f_{c1}) for the bypass filter can be changed using the attached C_1 .

$$f_{c1} = \frac{1}{2\pi \times C_1 \times 2k\Omega}$$

The f_{c1} for the recommended constant is approximately 8kHz.

• f_{c2} is determined by the band of the built-in amp. f_{c2} is approximately 100kHz.

The tone control is designed for a fluctuation of $\pm 15\text{dB}$ (Typ.) when the frequency that you want to boost or cut is a peak or valley of the frequency characteristics for the filter. So be sure to design the filter while taking into consideration its frequency characteristics.

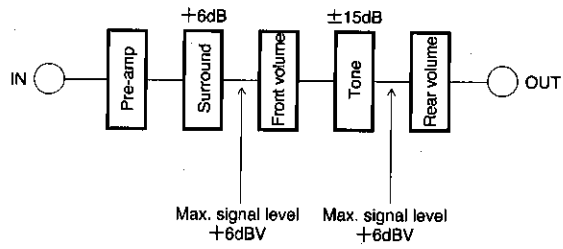
5. Tone boost

When volume attenuation increases, tone control width will change. Reference values are listed below, but be aware that actual values vary for different products. (Reference values)

At attenuation of 0dB, tone control width is $\pm 15.0\text{dB}$.
 At attenuation of -40dB , tone control width is $\pm 13.5\text{dB}$.

6. Signal level setting

The following figure represents the standard setting for the BH3854A.

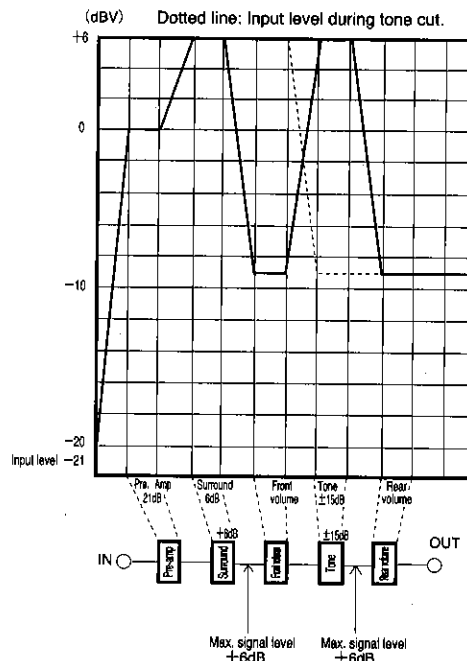


As indicated above, if the front volume and rear volume input level are set so as not to exceed +6dBV (2 Vrms), the pre-amp gain setting can be used to improve the S/N ratio.

The figure on the left is a level diagram.

Solid line: Input level during tone boost.

Dotted line: Input level during tone cut.



Sound control

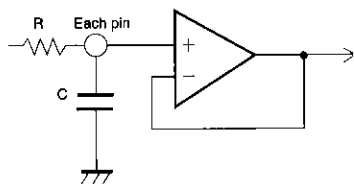
Audio accessory components

7. Serial control

High-frequency digital signals are input into the CK, DATA, and LATCH pins. Configure the wiring for these pins in such a manner that it does not create interference for lines carrying analog signals. When measuring for step switching noise caused by interference, connect in serial format resistance of approximately 2 kΩ right next to the microcomputer output pin (CK, DATA, LATCH) for each line.

8. Step switching noise

In the circuit of the sample application, a constant is given, as an example, to each of the VC (pin 23), TC (pin 22), BC (pin 21), and SC (pin 11) pins. These constants vary depending upon signal level settings, wiring patterns in the device to which they are mounted, etc. Consider each constant carefully. The following diagram depicts an internal equivalent circuit. (It is equipped with a primary integration circuit so that changes will occur slowly.)



	R value (kΩ)
VC, BC, TC	10
SC	200

9. Setting the volume and tone levels

These specifications include, as reference values, figures for attenuation or gain for control serial data. The internal D/A converter features an R-2R structure, thus when there is no change between consecutive data, data exists. This can be used when very fine settings must be made, provided that volume is 8 bits (256 steps) or fewer, and tone is 5 bits (32 steps) or fewer.

10. D/A separation

With this IC (BH3854), the analog and digital systems are completely separated in the power supply and GND. Within the digital system, there is a stable built-in standard voltage supply, all of which is supplied via the VREF (pin 17, 3.8V), so this IC can be used without any worry about timing being off or digital noise interference occurring.

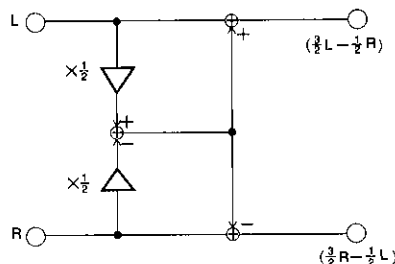
11. Output pins

PORT 1 through 4 (pins 12 through 15) are reset when the power is turned ON, and remain reset until the next serial data is input.

Note: From the time the power is turned ON until the next data is input, data in the CK, DATA, and LATCH lines are all maintained at LOW.

- Be sure that no more than 9V is applied to any of the output pins.

12. Matrix surround



©The structure of the matrix surround is as shown in the figure above. Use the equations shown in the figure to calculate gain.

In-phase gain	0dB
Negative-phase gain	3.5dB

(Negative-phase gain only occurs when input is carried out on single Ch.)

13. DC control

There is internal impedance of 10kΩ at the VC (pin 23), TC (pin 22), and BC (pin 21) pins, and internal impedance of 200kΩ at the SC pin (pin 11). For this reason, it is recommended that DC control of these pins be performed by voltage delivered directly from the voltage source. When using variable volume, take the impedance into account in determining the settings.

Note: The voltage range for DC control is 0V to 3.8V.

Be sure not to apply greater than 3.8V to any pin.

14. GND

- Connect the GND of the attached element, which is shown in the circuit of the sample application, to the analog GND.
- Connect the GND of the capacitor that is connected to pin 17 to the digital GND.
- If several capacitors with good high-frequency characteristics are connected in parallel to the 17th-pin capacitor, the characteristics will be improved with respect to static electricity noise. (Recommended : ceramic capacitors of 0.001 μF to 0.1 μF) If the wiring to the analog GND and digital GND is long, make sure that no potential difference arises between the two GNDs.

15. BH3854S → BH3854AS : Differences

- The bass filter R₂ constant changes from 100 kΩ → 85 kΩ. Accordingly, bass filter f₀ changes from 70Hz → 75Hz, which means bass filter Q changes from 1.47 → 1.36.
- The resistance at the treble filter's TIN pin changes from 20 kΩ → 2 kΩ. Accordingly, the value for the attached capacitor changes from 470pF → 0.01 μF, which means that cutoff frequency (f_{c1}) changes from 17kHz → 8kHz.

● Electrical characteristic curves

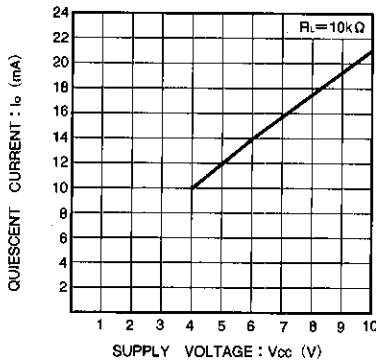


Fig. 3 Quiescent curve/Supply voltage characteristics

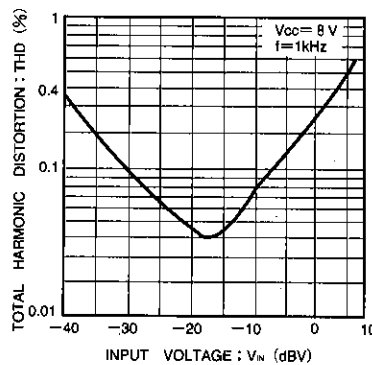


Fig. 4 Harmonic distortion/Input voltage characteristics

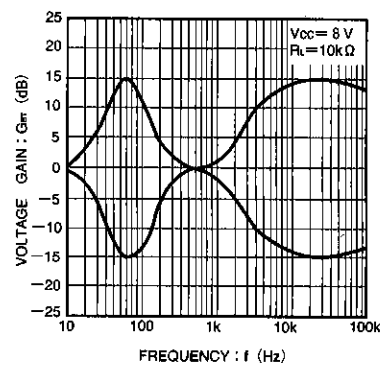
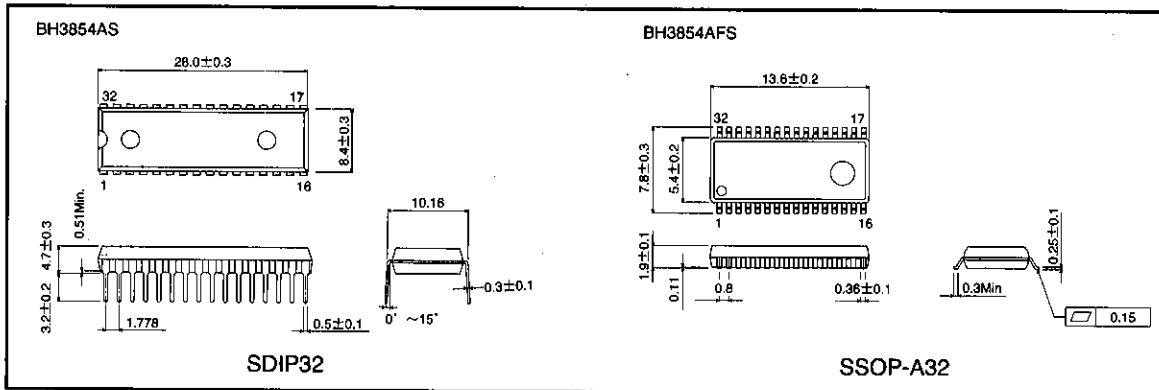


Fig. 5 Output gain/Frequency

● External dimensions (Unit: mm)



Notes

- The contents described in this catalogue are correct as of March 1997.
- No unauthorized transmission or reproduction of this book, either in whole or in part, is permitted.
- The contents of this book are subject to change without notice. Always verify before use that the contents are the latest specifications. If, by any chance, a defect should arise in the equipment as a result of use without verification of the specifications, ROHM CO., LTD., can bear no responsibility whatsoever.
- Application circuit diagrams and circuit constants contained in this data book are shown as examples of standard use and operation. When designing for mass production, please pay careful attention to peripheral conditions.
- Any and all data, including, but not limited to application circuit diagrams, information, and various data, described in this catalogue are intended only as illustrations of such devices and not as the specifications for such devices. ROHM CO., LTD., disclaims any warranty that any use of such device shall be free from infringement of any third party's intellectual property rights or other proprietary rights, and further, assumes absolutely no liability in the event of any such infringement, or arising from or connected with or related to the use of such devices.
- Upon the sale of any such devices; other than for the buyer's right to use such devices itself, resell or otherwise dispose of the same; no express or implied right or license to practice or commercially exploit any intellectual property rights or other proprietary rights owned or controlled by ROHM CO., LTD., is granted to any such buyer.
- The products in this manual are manufactured with silicon as the main material.
- The products in this manual are not of radiation resistant design.

The products listed in this catalogue are designed to be used with ordinary electronic equipment or devices (such as audio-visual equipment, office-automation equipment, communications devices, electrical appliances, and electronic toys). Should you intend to use these products with equipment or devices which require an extremely high level of reliability and the malfunction of which would directly endanger human life (such as medical instruments, transportation equipment, aerospace machinery, nuclear-reactor controllers, fuel controllers, or other safety devices) please be sure to consult with our sales representatives in advance.

- Notes when exporting
 - It is essential to obtain export permission when exporting any of the above products when it falls under the category of strategic material (or labor) as determined by foreign exchange or foreign trade control laws.
 - Please be sure to consult with our sales representatives to ascertain whether any product is classified as a strategic material.