

# Read / Write amplifier for FDD

## BH6629BFS

The BH6629BFS, a read/write IC designed for floppy disk drives, has a recording system that puts top priority on saddle margin. Offers multi-step switching of write current, while density and inner track/outer track edge are switched internally.

### ●Applications

Floppy disk drives (1MB and 2MB drives)

### ●Features

- 1) Internal active filter switch.
- 2) Time domain filter (with internal switching based on transfer rate).
- 3) Internal switching of write current density and inner track/outer track.

### ●Absolute maximum ratings (unless otherwise noted, $T_a = 25^\circ\text{C}$ )

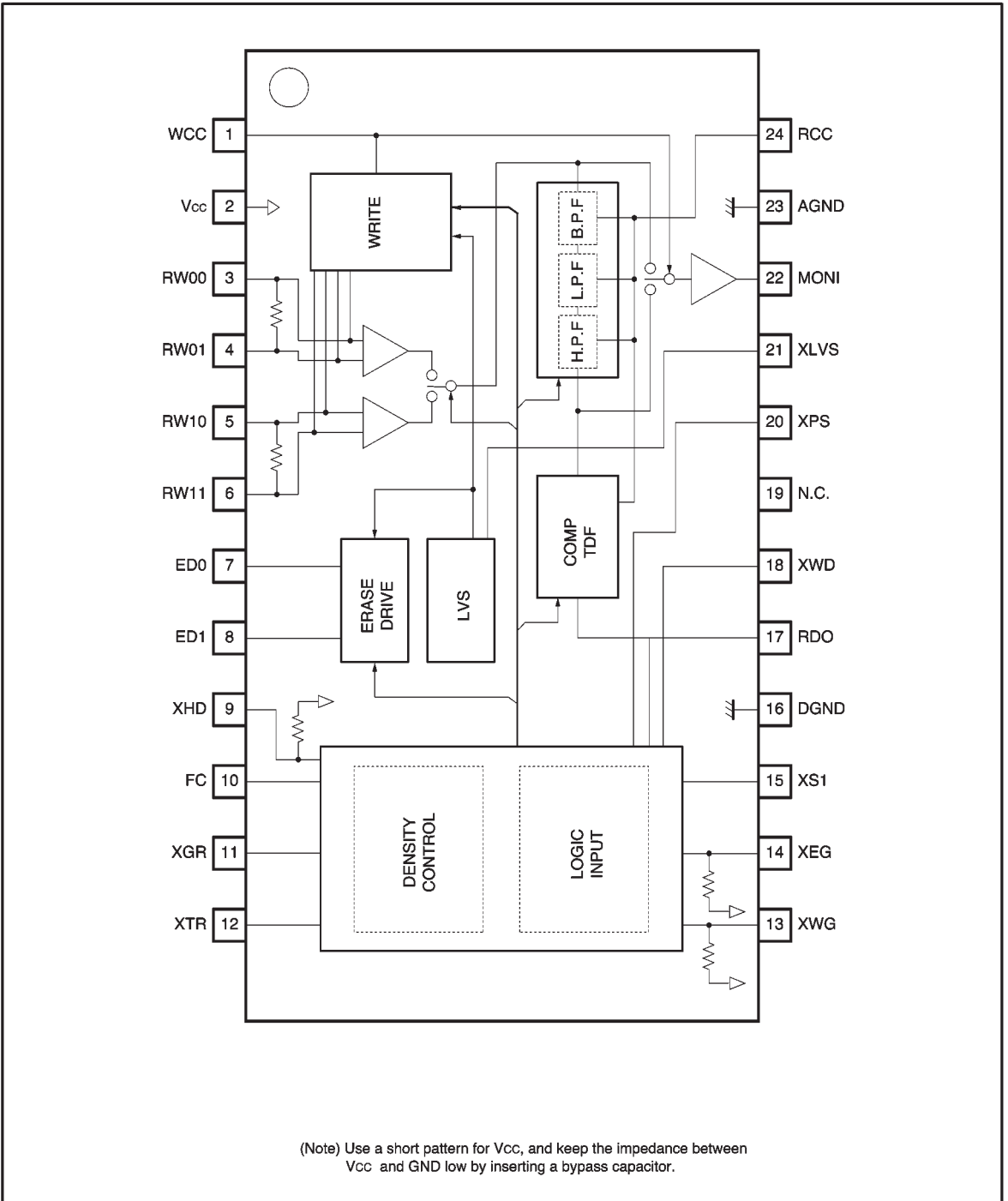
Parameter	Symbol	Limits	Unit
Power supply voltage	$V_{cc}$	+7	V
Operating temperature	$T_{opr}$	0~+70	$^\circ\text{C}$
Storage temperature	$T_{stg}$	-55~+125	$^\circ\text{C}$
Digital input voltage	$V_I$	-0.5~ $V_{cc}+0.3$	V
RW pin voltage	$V_{RW}$	+15	V
LVS output voltage	$V_{LVS}$	$V_{cc}+0.3$	V
ED pin voltage	$V_{ER}$	$V_{cc}+0.3$	V
Power dissipation	$P_d$	650*	mW

\* Reduced by 6.5mW for each increase in  $T_a$  of  $1^\circ\text{C}$  over  $25^\circ\text{C}$ .

### ●Recommended operating conditions ( $T_a = 25^\circ\text{C}$ )

Parameter	Symbol	Min.	Typ.	Max.	Unit
Power supply voltage	$V_{cc}$	4.5	5.0	5.5	V

● Block diagram

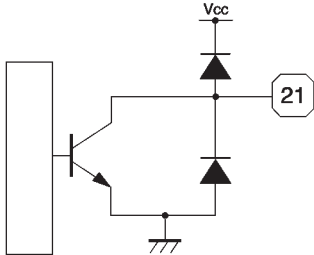
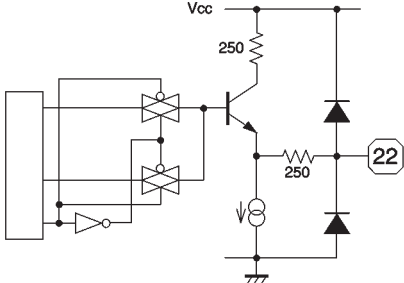

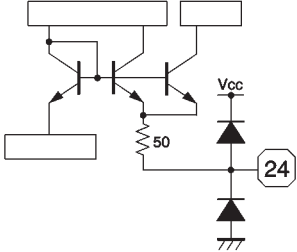


● Pin descriptions

Pin No.	Pin name	Equivalent circuit	Function
1	WCC		<p>For connecting the write current adjustment resistor</p> <p>Connect the write current adjustment resistor between this pin and Vcc</p> <p>Setting this pin to the low level during reading switches MONI to differentiator output</p>
2	Vcc		<p>Power supply pin</p>
3	RW00		<p>Active when SIDE0 and the read/write head connecting pin (pin 15, XS1) is at the high level (side 0)</p> <p>Starts at RW00 during the start of writing (from reading to writing)</p>
4	RW01		<p>Starts at RW00 during the start of writing (from reading to writing)</p>
5	RW10		<p>Active when the read / write head connecting pin (pin 15, XS1) is at the low level (side 1)</p> <p>Starts at RW10 during the start of writing (from reading to writing)</p>
6	RW11		<p>Starts at RW10 during the start of writing (from reading to writing)</p>
7	ED0		<p>Side 1 erase current sink</p>
8	ED1		<p>Side 1 erase current sink</p>

Pin No.	Pin name	Equivalent circuit	Function
9	XHD		1 MB/2 MB selector High=1MB Low=2MB
10	FC		Option 2 selector Selector signal high level = active
11	XGR		Option mode selector Controls the write current
12	XTR		Inner edge/outer edge position setting Controls the filter and write current
13	XWG		Write enable gate (Schmidt input) Low = active
14	XEG		Erase enable gate (Schmidt input) Low = active
15	XS1		Head/side switching signal Low = active (Schmidt input) High = side 0, low = side 1

Pin No.	Pin name	Equivalent circuit	Function
16	DGND	—————	Digital ground
17	RDO		Read data output TTL high level = active
18	XWD		Write data input Operates at falling edge (Schmidt input)
19	N.C.	—————	—————
20	XPS		Power save selector Low = active

Pin No.	Pin name	Equivalent circuit	Function
21	XLVS		<p>External low level-voltage detection pin                      Open collector output when low level voltage is detected                      Switches to low level when Vcc drops below the specified voltage</p>
22	MONI		<p>Preamplifier output and differentiator output monitoring                      Monitor is switched with pin 1 (WCC)</p>
23	AGND		<p>Analog ground</p>
24	RCC		<p>Filter (LPF, BPF) cutoff frequency and TDF first M/M pulse width setting resistor connection</p>

●Electrical characteristics (unless otherwise noted, Ta = 25°C, V<sub>CC</sub> = 5V)

Supply current

Parameter	Symbol	Min.	Typ.	Max.	Unit	Conditions
Current dissipation,Standby	ICCST	—	190	400	μA	*1
Current dissipation,Read	ICCR	—	28	40	mA	*1
Current dissipation,Write	ICCW	—	8.5	15	mA	*2

\*1 RRCC=2.0 [kΩ] (XHD=H)

\*2 RWCC=2.4 [kΩ] (When 2MB inner track, XGR = "H" , except IWR and IER)

Low level voltage detection circuit

Parameter	Symbol	Min.	Typ.	Max.	Unit	Conditions
Threshold voltage 1	VTH1+	—	4.05	4.3	V	When power supply voltage rises, internal LVS/ write protect
	VTH1-	3.6	3.85	4.1	V	When power supply voltage falls, internal LVS/ write protect
Threshold voltage 2	VTH2+	—	3.92	4.17	V	When supply voltage rises, external LVS
	VTH2-	3.47	3.72	3.97	V	When supply voltage falls, external LVS
Hysteresis voltage	VH	50	—	—	mV	
Output low level voltage	VOL	—	—	0.40	V	V <sub>CC</sub> =2.5[V] IOL=0.2[mA]
Output leakage current	IOH	—	—	10	μA	

Recovery time

Parameter	Symbol	Min.	Typ.	Max.	Unit	Conditions
POWER·SAVE→READ	TR2	—	—	500	μs	by XPS
READ→ERASE	TR3	—	—	6	μs	by XEG
READ→WRITE	TR4	—	—	4	μs	by XWG
WRITE→READ	TR5E	—	—	20	μs	by XEG
	TR5W	—	—	160	μs	by XWG
SIDE0↔SIDE1	TR6	—	—	40	μs	by XS1
1MB↔2MB	TR7	—	—	40	μs	by XHD

## Preamplifier

Parameter	Symbol	Min.	Typ.	Max.	Unit	Conditions
Voltage gain (1)	GVD1	43	46	49	dB	f=125[kHz], VIN=2.5[mV <sub>P-P</sub> ](differential) (OPTION outer edge)
Voltage gain (2)	GVD2	46	49	52	dB	f=125[kHz], VIN=2.5[mV <sub>P-P</sub> ](differential) (1 MB/2 MB outer edge, OPTION inner edge)
Voltage gain (3)	GVD3	49	52	56	dB	f=125[kHz], VIN=1.5[mV <sub>P-P</sub> ](differential) (1 MB/2 MB inner edge)
SIDE0↔SIDE1 crosstalk	GCTLK	50	—	—	dB	f=125[kHz], VIN=100[mV <sub>P-P</sub> ] (differential)*3
Differential input resistance	RID	—	4	—	kΩ	8.0 kΩ input resistance parallel 8.0 kΩ damping resistance
Input conversion noise voltage	VN	—	2.5	3.7	μV <sub>rms</sub>	f=500[Hz]~1[MHz]
Input sink current	ISINK	—	180	—	μA	
Differential input voltage amplitude (1)	VIN	—	—	5.0	mV <sub>P-P</sub>	5% distortion (sine wave input) (OPTION outer edge)
Differential input voltage amplitude (2)	VIN	—	—	3.5	mV <sub>P-P</sub>	5% distortion (sine wave input) (1 MB/2 MB outer edge, OPTION inner edge)
Differential input voltage amplitude (3)	VIN	—	—	2.0	mV <sub>P-P</sub>	5% distortion (sine wave input) (1 MB/2 MB, inner edge)
Common mode rejection ratio	CMRR	50	—	—	dB	f=125[kHz], VIN=100[mV <sub>P-P</sub> ]*3
Supply voltage ratio rejection	PSRR	40	—	—	dB	f=250[kHz], VIN=100[mV <sub>P-P</sub> ]*3

## Preamplifier/L.P.F/differentiator (B.P.F)

Parameter	Symbol	Min.	Typ.	Max.	Unit	Conditions
Filter time constant accuracy	EFIL	-10	—	+10	%	*3
Total gain (preamplifier/ LPF/differentiator) (1)	GVDD1	43.0	47.0	51.0	dB	f=250[kHz], VIN=2.5[mV <sub>P-P</sub> ](differential) (2 MB outer edge)
Total gain (preamplifier/ LPF/differentiator) (2)	GVDD2	44.0	48.0	52.0	dB	f=250[kHz], VIN=2.5[mV <sub>P-P</sub> ](differential) (2 MB inner edge)
Total gain (preamplifier/ LPF/differentiator) (3)	GVDD3	40.5	44.5	48.5	dB	f=250[kHz], VIN=2.5[mV <sub>P-P</sub> ](differential) (OPTION 2 outer edge)
Differentiator output peaking frequency setting range	f <sub>0</sub>	0.1	—	0.5	MHz	Defined according to typical value in the settings

\*3 RRCC=2.0 [kΩ] (XHD=L, XTR=H, FC=L)



## Comparator and waveform shaping

Parameter	Symbol	Min.	Typ.	Max.	Unit	Conditions
TDF M/M pulse width accuracy (1)	TDF1	-10	-	+10	%	1MB (Typ. : 2545[ns] ) f=62.5[kHz]~125[kHz] *4
TDF M/M pulse width accuracy (2)	TDF2	-10	-	+10	%	2MB, OPTION (Typ. : 1280[ns] ) f=125[kHz]~250[kHz] *4
RD pulse width	TRD	270	400	530	ns	Determination level: 1.5[V]
Rise time	TTLH	-	-	70	ns	Rise time between 0.4[V] and 2.0[V]
Fall time	TTHL	-	-	70	ns	Fall time between 2.0[V] and 0.4[V]
Peak shift	P. S.	-	-	1.0	%	f=250[kHz] , VIN=1[mV <sub>P-P</sub> ] (differ.)
Output low level voltage	VOL	-	-	0.5	V	
Output high level voltage	VOH	2.7	-	-	V	Level after 70 ns rise from 0.4 V

\*4 RRCC=2.0 [kΩ]

## Write circuit

Parameter	Symbol	Min.	Typ.	Max.	Unit	Conditions
Write current adjustment	IWR	2.0	-	20	mA0-P	
Write current accuracy	ACIW	-7.0	-	+7.0	%	*5
Write current pairability	ΔIWR	-1.0	-	+1.0	%	RWCC=2.4[kΩ]
Write current power supply voltage dependency	PSIW	-4.0	-0.8	+3.0	% / V	RWCC=2.4[kΩ]
Output saturation voltage	VSATRW	-	0.4	1.0	V	IWR=12[mA]
Off-state leakage current	ILKRW1	-	-	20	μA	Unselected side
	ILKRW2	-	-	50	μA	Selected side
Minimum write data pulse width	TWD	70	-	-	ns	
Write current switching ratio accuracy	ACIWTR	±10× (1-setting ratio)			%	*6
Damping resistance accuracy	ACDR	-25	-	+25	%	Write (typically 8.0 [kΩ])

\*5 RWCC = 2.4[ kΩ ], adapted for desired setting of XTR1/XTR2

\*6 Error in setting ratio (reference: 1 MB outer edge)

## Erase output

Parameter	Symbol	Min.	Typ.	Max.	Unit	Conditions
Erase current setting range	IER	-	-	40	mA	
Output saturation voltage	VSATER	-	0.2	0.6	V	IER=40[mA]
Output leakage current	IOH	-	-	10	μA	Off, ED0=ED1=V <sub>CC</sub>

## Logic input

Parameter	Symbol	Min.	Typ.	Max.	Unit	Conditions
Input high level voltage	VIH	2.0	—	—	V	
Input low level voltage	VIL	—	—	0.8	V	
Input voltage hysteresis	VH	0.15	—	—	V	Applies to XWD, XWG, XEG, XS1
Input low level current	IIL1	—	50	100	μA	V <sub>cc</sub> =5[V] VIL=GND Applies to XWG, XEG, XHD

## ● Mode table

Mode		1MB		2MB		OPTION1		OPTION2		
Transfer rate		250[kbps]		500[kbps]		500[kbps]		500[kbps]		
Input	Mode	XHD	HIGH		LOW		HIGH		NO CARE	
		FC	LOW		LOW		LOW		HIGH	
		XGR	HIGH		NO CARE		LOW			
track	XTR (XSWF)	Outer track	Inner track	Outer track	Inner track	Outer track	Inner track	Outer track	Inner track	
		LOW	HIGH	LOW	HIGH	LOW	HIGH	LOW	HIGH	
Output	Preamplifier gain [dB]		49	52	49	52	46	49	46	49
	Filter	f <sub>0</sub> [kHz]	187	224	372	376	350	372	350	
		Charac.(Q)*1	C	D	D	A	C	D	C	
	TDF	[nSEC]	2545		1280		1280			
Write current switching ratio		WCC	WCC ×0.733	WCC ×0.433	WCC ×0.318	WCC	WCC ×0.733	WCC ×0.733		

\*1 (A) Butterworth characteristics (C) Option characteristics

(However, RRCC=2.0 [kΩ] )

(D) Refer to low-Q Butterworth characteristics, filter characteristics

## Total filter peak frequency setting

$$f_0 = a / (RRCC [k\Omega + 0.09]) [kHz]$$

- a = 391 1M outer track  
 468 1M inner track  
 777 2M outer track  
 786 2M inner track  
 732 outer track (with OPTION 1), OPTION 2  
 777 inner track (with OPTION 1)

## TDF time constant setting

$$250 [kbps] : T = 939 \times RRCC [k\Omega] + 667 [ns]$$

$$500 [kbps] : T = 403 \times RRCC [k\Omega] + 474 [ns]$$

## Write current setting

$$I_{wr} = \frac{24.0}{RWCC [k\Omega]} [mA]$$

● Filter characteristic

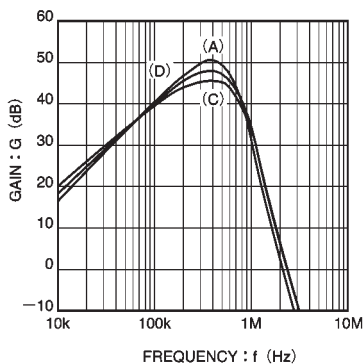
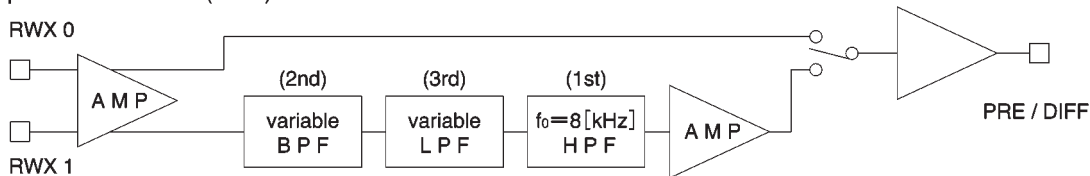
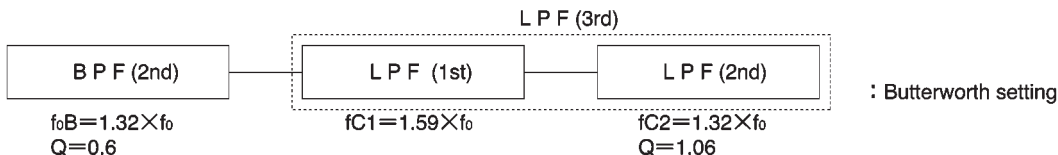


Fig. 1 PRE IN vs. DIFF OUT

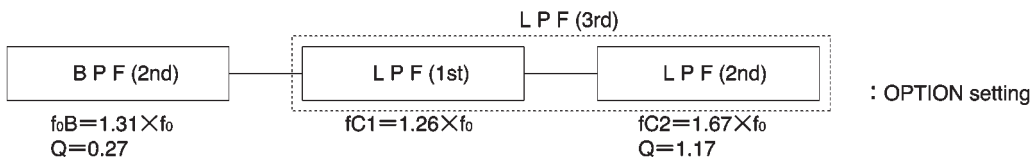
Preamplifier — differentiator(B.P.F)— L.P.F



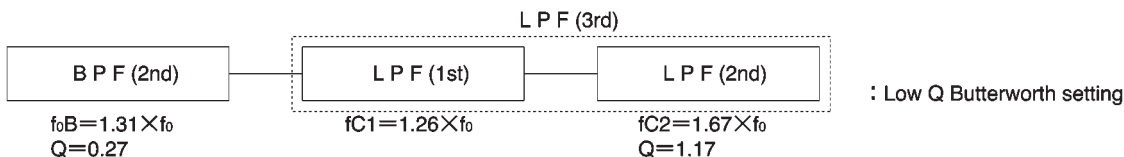
(A) Total characteristic peak frequency ( $f_0$ ): 1MB, 2MB inner edge,



(C) Total characteristic peak frequency ( $f_0$ ): OPTION1 outer edge, OPTION2



(D) Total characteristic peak frequency ( $f_0$ ): 1MB, 2MB outer edge, OPTION1 inner edge



## ● Measurement circuit

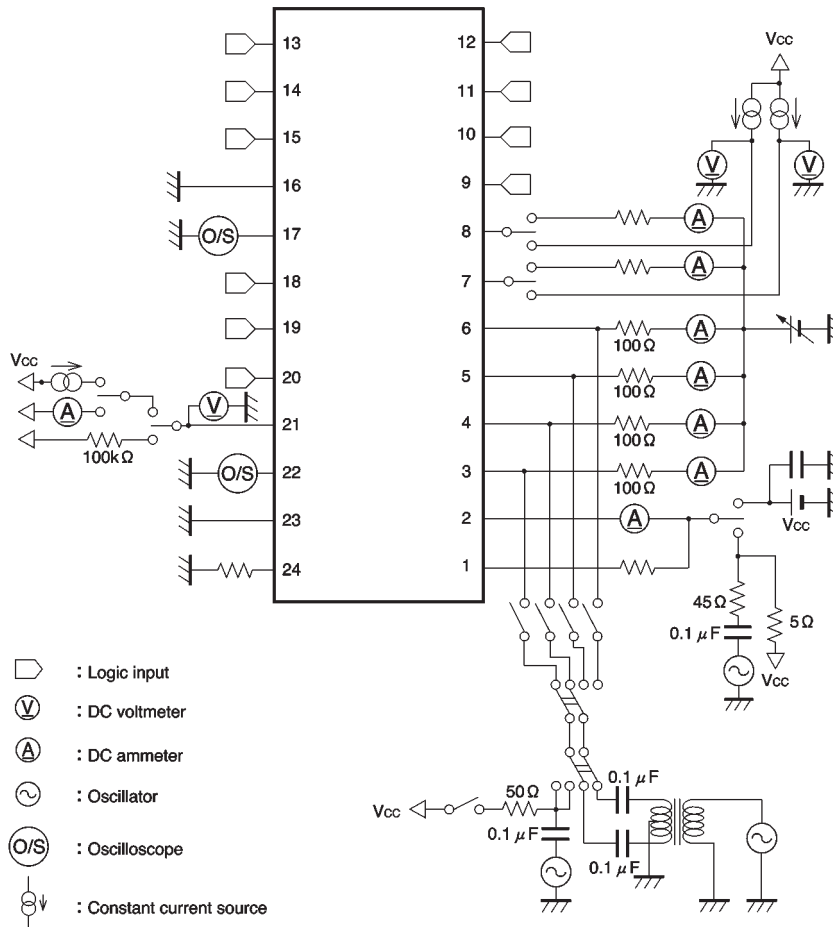


Fig. 2

## ● Circuit operation

## (1) Read

The input signal from the head coils from each side of the disc is amplified by the preamplifier and then differentiated. The filter time constant can be set externally. After differentiation, the differential output is input to the comparator. The time domain filter detects zero cross, and the output is converted to read data. The monostable multivibrator width can be set externally, while the read data pulse width is a constant 400ns.

## (2) Write

Input write data are converted to toggle movements by

the internal flip-flops, operating the write driver. The write driver current is supplied by the write current generator, but the externally set current can be controlled according to density and by selecting inner track/outer track.

## (3) Erase

An open collector output pin is used, and the erase current is set with a resistor between it and the head.

## (4) Power supply

When the low level voltage detector detects a drop in the supply voltage, writing and erasing are prohibited.

● Operation notes

- (1) Use a short pattern for  $V_{CC}$ , and a sufficiently wide AGND and DGND. Keep the impedance between  $V_{CC}$  and GND low by inserting a bypass capacitor.
- (2) Use a pattern that will minimize interference between digital signals and the head.

● Electrical characteristic curves

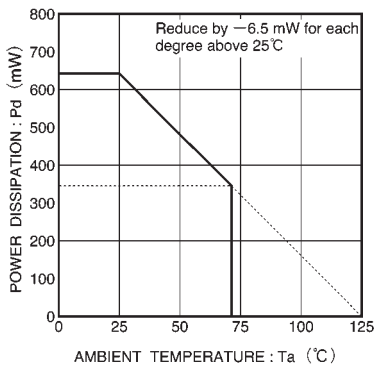


Fig. 3 Thermal derating curve

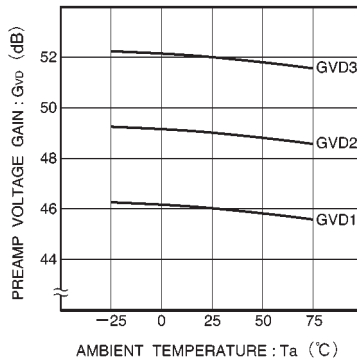


Fig. 4 Preamp voltage gain vs. ambient temperature.

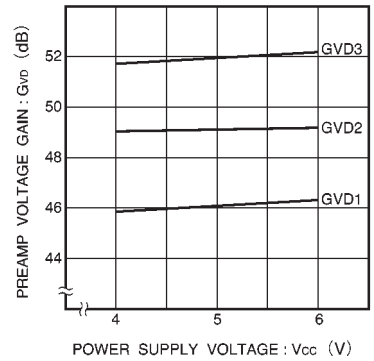


Fig. 5 Preamp voltage gain vs. power supply voltage

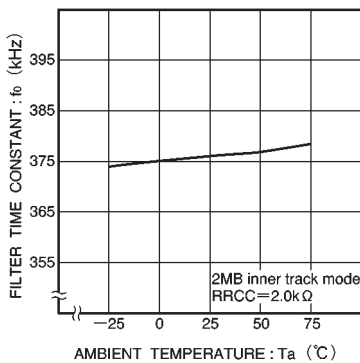


Fig. 6 Filter time constant ( $f_0$ ) vs. ambient temperature

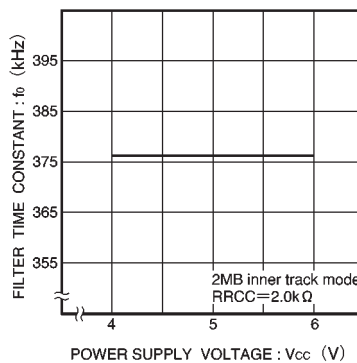


Fig. 7 Filter time constant vs. power supply voltage

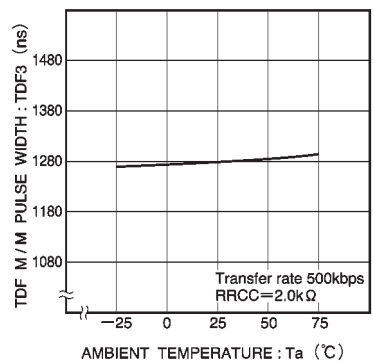


Fig. 8 TDF time constant vs. ambient temperature

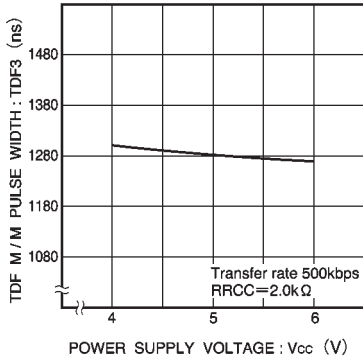


Fig. 9 TDF time constant vs. power supply voltage

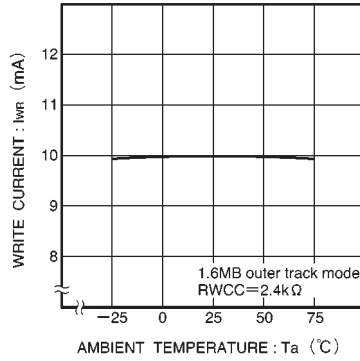


Fig. 10 Write current vs. ambient temperature

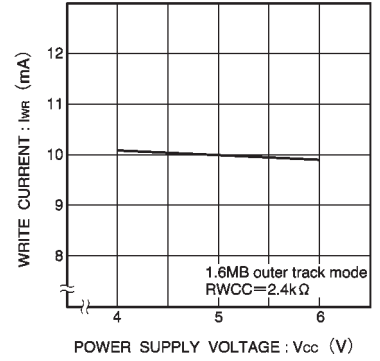


Fig. 11 Write current vs. power supply voltage

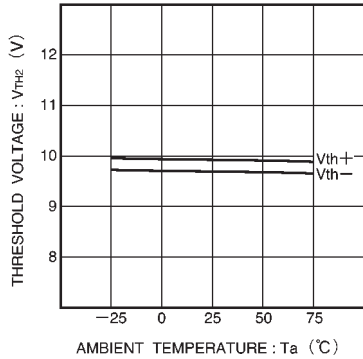


Fig. 12 Low level voltage detection voltage vs. ambient temperature

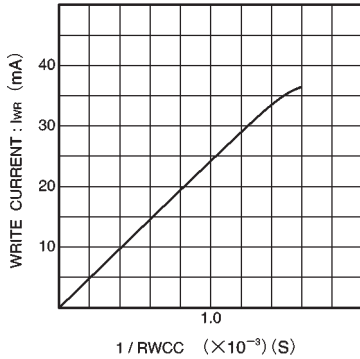


Fig. 13 Write current vs. write current adjustment resistance

● External dimensions (Units: mm)

