

Single chip analog signal processor for FAX

BH8220KS

The BH8220KS is a single-chip analog signal processing IC developed for FAX with telephone answering machines.

●Applications

FAX and FAX with telephone answering machines

●Features

- 1) Cross-point mixer with nine inputs and eight outputs.
- 2) Internal electronic volume.
- 3) Internal ALC and VOX circuits.
- 4) Accommodates no-ringing reception.

●Absolute maximum ratings (Ta=25°C)

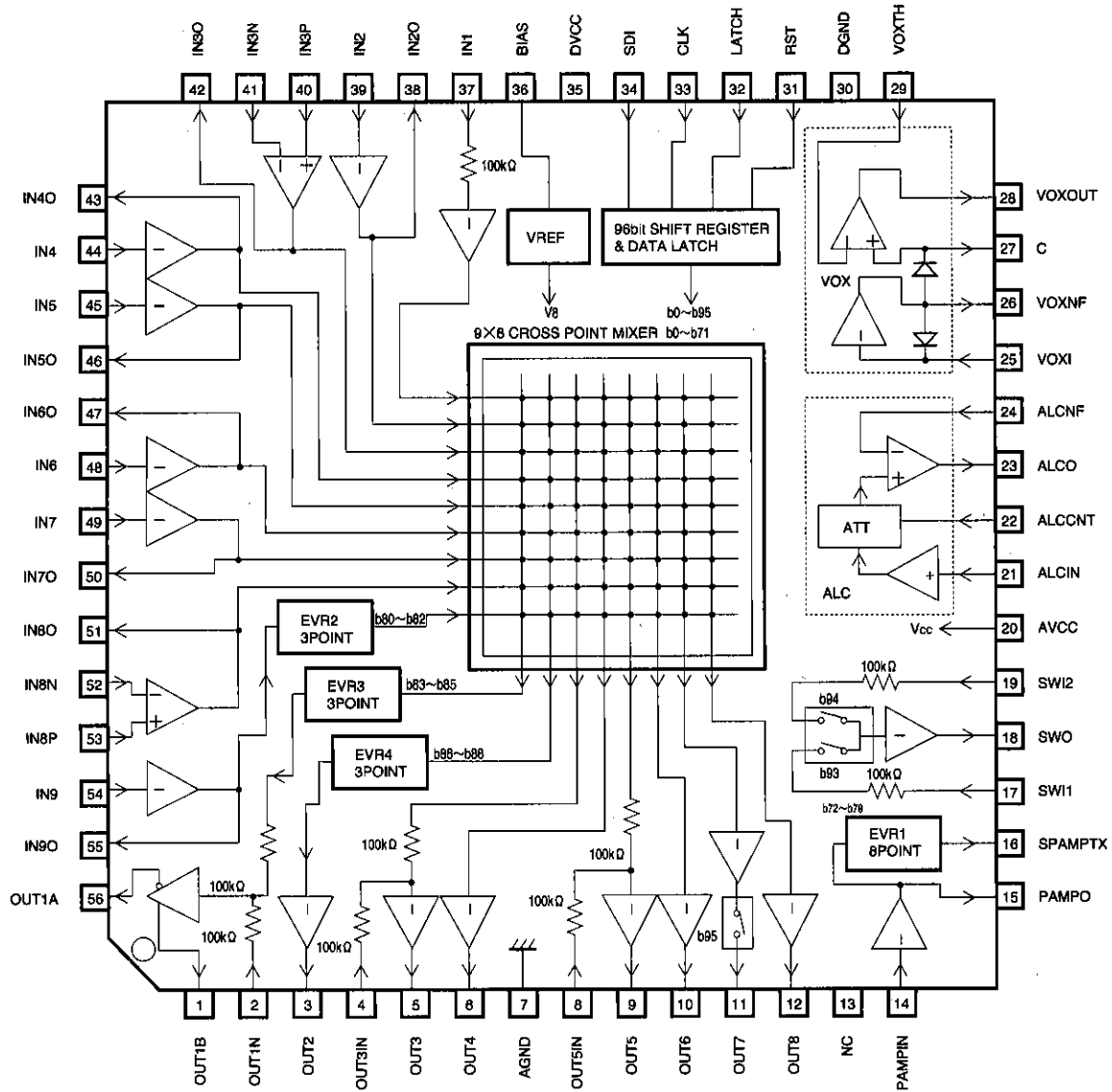
Parameter	Symbol	Limits	Unit
Power supply voltage	Vcc	9	V
Power dissipation	Pd	500*1	mW
Operating temperature	Topr	-25~+75	°C
Storage temperature	Tstg	-55~+125	°C

*1 Reduced by 5mW for each increase in Ta of 1°C over 25°C.

●Recommended operating conditions (Ta=25°C)

Parameter	Symbol	Min.	Typ.	Max.	Unit
Power supply voltage	Vcc	4.5	—	5.5	V

● Block diagram



Single chip sound circuit for faxes

FAX

● Pin descriptions

Pin No.	Pin Name	Function
1	OUT1B	Output 1B
2	OUT1IN	Output 1 mixing input
3	OUT2	Output 2
4	OUT3IN	Output 3 mixing input
5	OUT3	Output 3
6	OUT4	Output 4
7	AGND	Analog GND
8	OUT5IN	Output 5
9	OUT5	Output 5 mixing input
10	OUT6	Output 6
11	OUT7	Output 7
12	OUT8	Output 8
13	N. C.	No connection
14	PAMP IN	SP EVR AMP input
15	PAMPO	SP EVR AMP feedback output
16	SPAMP TX	SP EVR AMP output
17	SWI1	Switch input 1
18	SWO	Switch output
19	SWI2	Switch input 2
20	AVCC	Analog Vcc
21	ALCIN	ALC input
22	ALCCNT	ALC control
23	ALCO	ALC output
24	ALCNF	ALC feedback output
25	VOXI	VOX input
26	VOXNF	VOX AMP feedback output
27	C	VOX constant setting
28	VOXOUT	VOX output

Pin No.	Pin Name	Function
29	VOXTH	VOX detection level setting
30	DGND	Digital GND
31	RST	Reset pin
32	LATCH	Latch signal input
33	CLK	Clock input
34	SDI	Serial data input
35	DVCC	Digital Vcc
36	BIAS	Bias pin
37	IN1	Input 1
38	IN2O	Input 2 feedback output
39	IN2	Input 2
40	IN3P	Input 3 (non-reversed input)
41	IN3N	Input 3 (reversed input)
42	IN3O	Input 3 feedback output
43	IN4O	Input 3 feedback output
44	IN4	Input 4
45	IN5	Input 5
46	IN5O	Input 5 feedback output
47	IN6O	Input 6 feedback output
48	IN6	Input 6
49	IN7	Input 7
50	IN7O	Input 7 feedback output
51	IN8O	Input 8 feedback output
52	IN8N	Input 8 (reversed input)
53	IN8P	Input 8 (non-reversed input)
54	IN9	Input 9
55	IN9O	Input 9 feedback output
56	OUT1A	Output 1A output

●Electrical characteristics (Unless otherwise noted, $T_a=25^{\circ}\text{C}$, $V_{cc}=5\text{V}$, $f=1\text{kHz}$, 400Hz to 30kHz using band pass filter)

Parameter	Symbol	Min.	Typ.	Max.	Unit	Conditions
Circuit current	I_{cc}	8	11	14	mA	With no signal
Bias pin voltage	VB	2.3	2.5	2.7	V	
Logic "H" input voltage	V_{IH}	$0.8V_{cc}$	—	V_{cc}	V	SDI, CLK, RST, LATCH pins
Logic "L" input voltage	V_{IL}	0	—	$0.2V_{cc}$	V	SDI, CLK, RST, LATCH pins
Logic "H" input current	I_{IH}	—5	0	5	μA	SDI, CLK, RST, LATCH pins
Logic "L" input current	I_{IL}	—5	0	5	μA	SDI, CLK, RST, LATCH pins
CLK frequency	f_{CLK}	—	—	100	kHz	DUTY=50%
Data setup time	t_{su}	250	—	—	nS	
Data hold time	t_H	250	—	—	nS	
Latch/reset pulse width	t_w	250	—	—	nS	
Cross-point input						
Input amplifier gain 2	G12	—1.0	0.0	1.0	dB	I2→IN2O $V_{IN}=-20\text{dBV}$
Input amplifier gain 3	G13	18.5	19.5	20.5	dB	I3→IN3O $V_{IN}=-30\text{dBV}$
Input amplifier gain 4	G14	—1.0	0.0	1.0	dB	I4→IN4O $V_{IN}=-20\text{dBV}$
Input amplifier gain 5	G15	—1.0	0.0	1.0	dB	I5→IN5O $V_{IN}=-20\text{dBV}$
Input amplifier gain 6	G16	—1.0	0.0	1.0	dB	I6→IN6O $V_{IN}=-20\text{dBV}$
Input amplifier gain 7	G17	—1.0	0.0	1.0	dB	I7→IN7O $V_{IN}=-20\text{dBV}$
Input amplifier gain 8	G18	28.0	29.0	30.0	dB	I8→IN8O $V_{IN}=-40\text{dBV}$
Input amplifier gain 9	G19	—1.0	0.0	1.0	dB	I9→IN9O $V_{IN}=-20\text{dBV}$
Input amplifier distortion	DI	—	0.1	1.0	%	V_{IN} is the same as that for the input amplifier test
Maximum output level	VOMI	0.0	2.0	—	dBV	At distortion of 10%
Output offset voltage	OFl	—25	0	+25	mV	VB reference

Single chip sound circuit for faxes

FAX

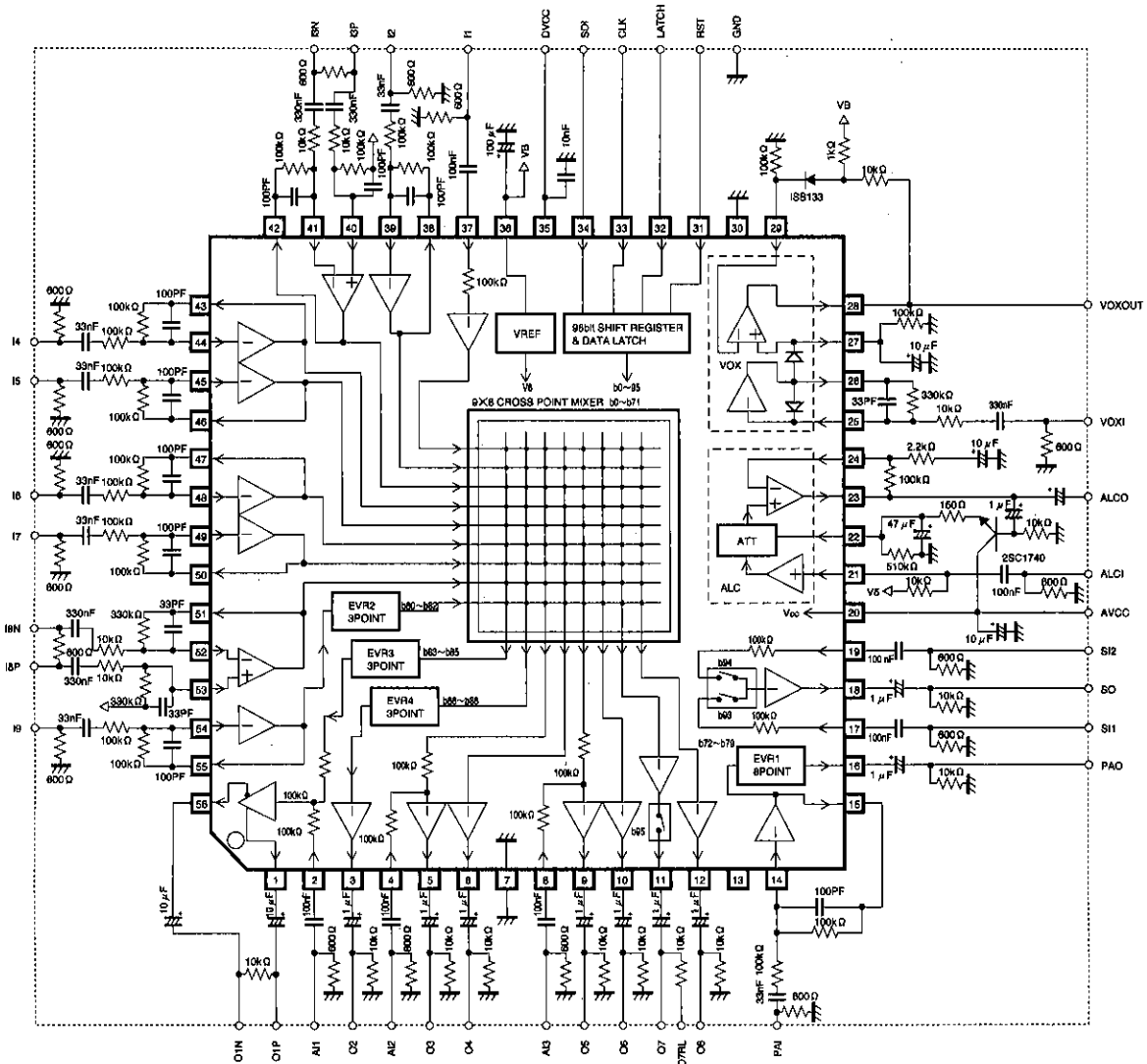
●Electrical characteristics (Unless otherwise noted, Ta=25°C, Vcc=5V, f=1kHz, 400Hz to 30kHz, band pass filter)

Parameter	Symbol	Min.	Typ.	Max.	Unit	Conditions
Cross-point switch and output amplifier VIN=-20dBV						
Output amplifier gain 1	GO1	4.5	5.5	6.5	dB	IN5O→O1
Output amplifier gain 2	GO2	-1.5	-0.5	0.5	dB	IN5O→O1, O2~O8
Output amplifier distortion	DO	-	0.1	1.0	%	
Maximum output level 1	V0MO1	5.0	7.0	-	dBV	At distortion of 10%, O1
Maximum output level 2	V0MO2	-0.5	1.5	-	dBV	At distortion of 10%, O2 to O8
Output offset voltage	OFO	-50	0	+50	mV	VB reference
Noise level	NO	-	-83	-70	dBV	
Output level when muted	MX	-	-81	-70	dBV	I5→On
Mixing gain 1	GAI1	4.5	5.5	6.5	dB	A11→O1
Mixing gain 2	GAI2	-1.5	-0.5	0.5	dB	A12→O3, A13→O5
8-point electronic volume unit VIN=-20dBV						
Gain	GE1	-1.5	-0.5	0.5	dB	
Attenuation	DGE1	2.0	3.0	4.0	dB	Per step
Distortion	DE1	-	0.1	1.0	%	
Maximum output level	VME1	-0.5	1.5	-	dBV	Distortion 10%
Noise level	NE1	-	-86	-70	dBV	
3-point electronic volume unit						
Attenuation	DGE2	5.0	6.0	7.0	dB	Per step

●Electrical characteristics (Unless otherwise noted, Ta=25°C, Vcc=5V, f=1kHz, 400Hz to 30kHz, band pass filter)

Parameter	Symbol	Min.	Typ.	Max.	Unit	Conditions
Switch unit VIN=-20dBV						
Gain	GSW	-1.5	-0.5	0.5	dB	
Distortion	DSW	-	0.1	1.0	%	
Maximum output level	VMSW	0.0	2.0	-	dBV	Distortion 10%
Noise level	NSW	-	-81	-70	dBV	
Output level when muted	MS	-	-81	-70	dBV	
VOX unit						
Detection level	VITH	-44.5	-41.5	-38.5	dBV	VOXOUT=2.5V
VOX "H" voltage	VOHVOX	3.8	4.1	-	V	When Io = 1 mA
VOX "L" voltage	VOLVOX	-	0.8	1.0	V	When Io = -1 mA
ALC unit						
Output level 1	VALC1	-18.0	-17.0	-16.0	dBV	VIN=-50dBV
Output level 2	VALC2	-6.5	-3.5	-0.5	dBV	VIN=-35dBV
Output level 3	VALC3	-4.0	-2.0	0.0	dBV	VIN=0dBV
Distortion	DALC	-	2.0	5.0	%	VIN=0dBV

● Measurement circuit



Single chip sound circuit for faxes

FAX

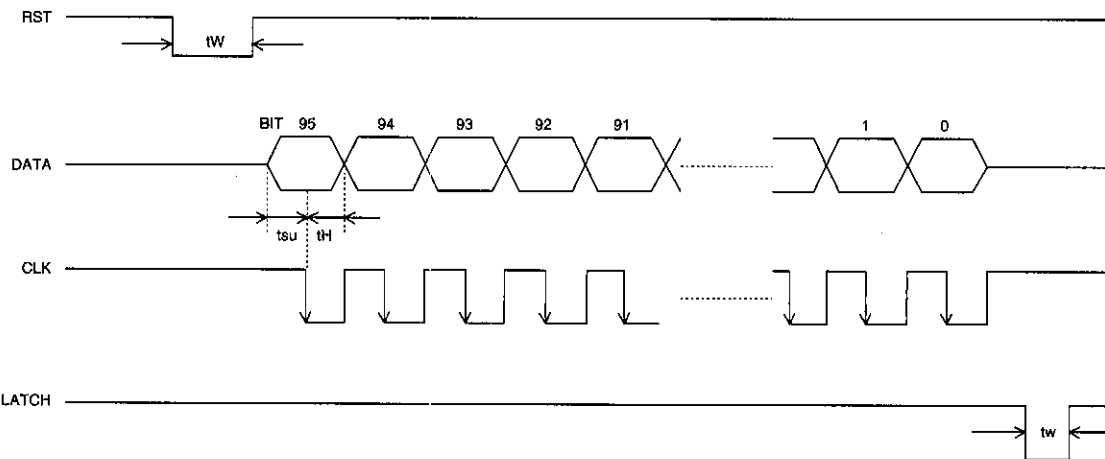
Fig. 1

● Control methods

(1) Truth table

RST	CLK	LATCH	Operation mode
L	X	X	Reset
H		H	Data shift
H	H		Data latch

(2) Timing chart



(3) Cross-point switch unit (bits used : 0 to 71)

	IN1	IN2	IN3	IN4	IN5	IN6	IN7	IN8	IN9
OUT1	0	1	2	3	4	5	6	7	8
OUT2	9	10	11	12	13	14	15	16	17
OUT3	18	19	20	21	22	23	24	25	26
OUT4	27	28	29	30	31	32	33	34	35
OUT5	36	37	38	39	40	41	42	43	44
OUT6	45	46	47	48	49	50	51	52	53
OUT7	54	55	56	57	58	59	60	61	62
OUT8	63	64	65	66	67	68	69	70	71

(4) Electronic volume (bits used : 72 to 79)

Bit used	Attenuation (dB)
72	0
73	3
74	6
75	9
76	12
77	15
78	18
79	21

(5) Cross-point unit electronic volume (bits used : 80 to 88)

Attenuation (dB)	IN9	OUT1	OUT2
0	80	83	86
6	81	84	87
12	82	85	88

(6) Modem RX selector switch

Bit	Output pin
93	SWI1
94	SWI2

(7) OUT7 pin

Bit 95	Output pin
When 0	High impedance
When 1	Normal operation

* Select only one electronic volume.

- (8) 1. Control table (selected with "1"; OFF = 0, ON = 1)
2. Bits 89 to 92 are reserved for use as spare bits.
3. When resetting, Bit 95 is "1" and all other bits are "0".

● Electrical characteristic curves

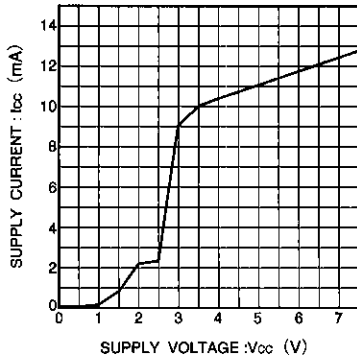


Fig. 2 Supply current characteristic

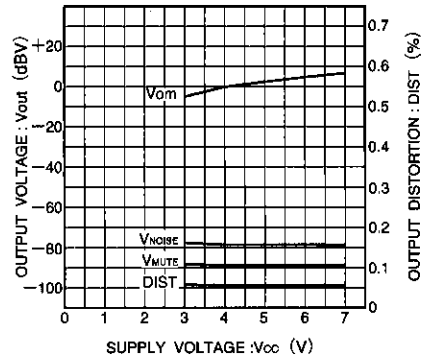


Fig. 3 Cross-point switch voltage characteristic

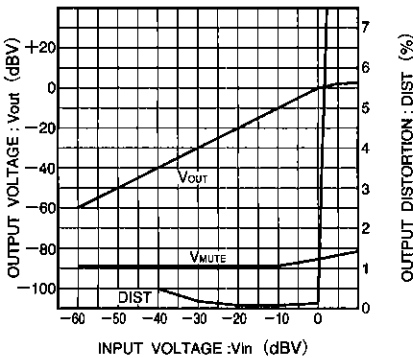


Fig. 4 Cross-point switch I/O characteristic

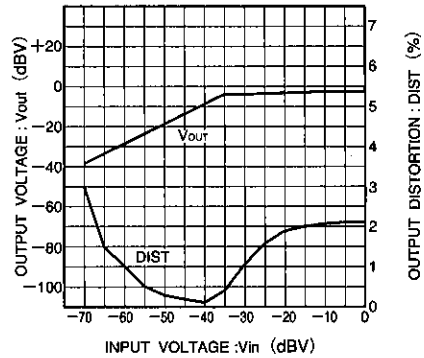


Fig. 5 ALC I/O characteristic

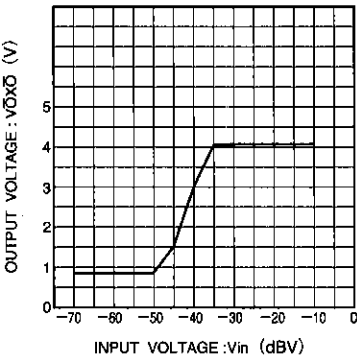
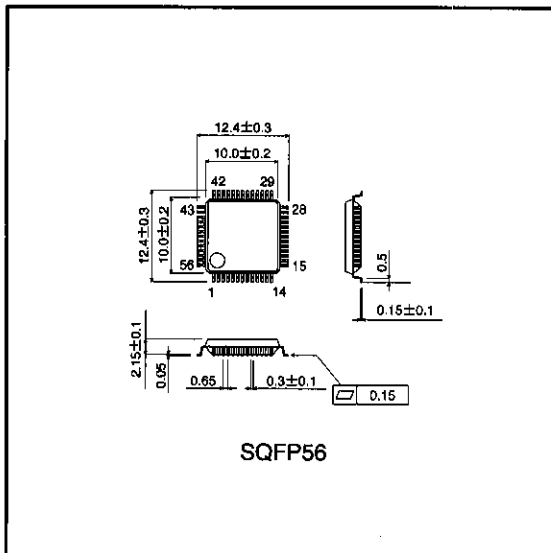


Fig. 6 VOX I/O characteristic

Single chip sound circuit for faxes

FAX

● External dimensions (Units: mm)



Notes

- The contents described in this catalogue are correct as of March 1997.
- No unauthorized transmission or reproduction of this book, either in whole or in part, is permitted.
- The contents of this book are subject to change without notice. Always verify before use that the contents are the latest specifications. If, by any chance, a defect should arise in the equipment as a result of use without verification of the specifications, ROHM CO., LTD., can bear no responsibility whatsoever.
- Application circuit diagrams and circuit constants contained in this data book are shown as examples of standard use and operation. When designing for mass production, please pay careful attention to peripheral conditions.
- Any and all data, including, but not limited to application circuit diagrams, information, and various data, described in this catalogue are intended only as illustrations of such devices and not as the specifications for such devices. ROHM CO., LTD., disclaims any warranty that any use of such device shall be free from infringement of any third party's intellectual property rights or other proprietary rights, and further, assumes absolutely no liability in the event of any such infringement, or arising from or connected with or related to the use of such devices.
- Upon the sale of any such devices; other than for the buyer's right to use such devices itself, resell or otherwise dispose of the same; no express or implied right or license to practice or commercially exploit any intellectual property rights or other proprietary rights owned or controlled by ROHM CO., LTD., is granted to any such buyer.
- The products in this manual are manufactured with silicon as the main material.
- The products in this manual are not of radiation resistant design.

The products listed in this catalogue are designed to be used with ordinary electronic equipment or devices (such as audio-visual equipment, office-automation equipment, communications devices, electrical appliances, and electronic toys). Should you intend to use these products with equipment or devices which require an extremely high level of reliability and the malfunction of which would directly endanger human life (such as medical instruments, transportation equipment, aerospace machinery, nuclear-reactor controllers, fuel controllers, or other safety devices) please be sure to consult with our sales representatives in advance.

- Notes when exporting
 - It is essential to obtain export permission when exporting any of the above products when it falls under the category of strategic material (or labor) as determined by foreign exchange or foreign trade control laws.
 - Please be sure to consult with our sales representatives to ascertain whether any product is classified as a strategic material.