

AC/DC converter unit

BP5035

The BP5035 is an AC/DC converter which can be used to supply -12V (+COMMON), 200mA DC output from a commercial power supply (100V AC). Using this unit enables simple, easy drive of microcomputers, DC motors, heaters, LEDs, and many other electronic components without using a transformer. It also allows set PCBs to be kept compact and lightweight, with extremely few attachments.

●Applications

Power supply circuits for vacuum cleaners, washing machines, refrigerators, electric carpets, electric rice cookers and crock pots, irons, cordless telephones, air purifiers, humidifiers, dehumidifiers, illumination devices and other small household appliances, as well as power supply circuits for gas, fire and smoke alarms, DC motors, sensors, and other similar devices

●Features

- 1) Elimination of a transformer enables compact, lightweight power supply boards.
- 2) Wide input voltage range. (80 to 120Vrms for AC voltage conversion)
- 3) DC power supplies can be easily configured, with few attachments.
- 4) The output current is large, at 200mA.
- 5) A +COMMON of -12V output is provided. This is ideal for TRIAC drive for AC control.
- 6) Because no transformer is used, the power supply board is less vulnerable to splitting or cracking from impact or shock.
- 7) Hybridization of the IC reduces the number of labor hours in the assembly process.

●Absolute maximum ratings ($T_a=25^\circ\text{C}$)

Parameter	Symbol	Limits	Unit
Power supply voltage	V_{cc}	-170	V
Output current	I_o	100	mA
Operating temperature	T_{opr}	$-25\sim 80$	$^\circ\text{C}$
Storage temperature	T_{stg}	$-25\sim 105$	$^\circ\text{C}$

●Recommended operating conditions ($T_a=25^\circ\text{C}$)

Parameter	Symbol	Min.	Typ.	Max.	Unit
Power supply voltage	V_{cc}	-170	-141	-113	V (DC)

●Pin descriptions

Pin No.	Pin Name
1	Vout
3	COIL
5	COIL
7	COMMON
10	Vin

Pins 2, 4, 6, 8, and 9 are not used.

●Electrical characteristics (Unless otherwise noted, $T_a=25^\circ\text{C}$)

Parameter	Symbol	Min.	Typ.	Max.	Unit	Conditions
Input voltage	V_i	-170	-141	-113	V	DC
Output voltage	V_o	-11	-12	-13	V	$V_i=-141\text{V}$, $I_o=-200\text{mA}$
Output current	I_o	0	-	200	mA	$V_i=-141\text{V}$ *1
Line regulation	V_r	-	0.04	0.15	V	$V_i=-113\sim-170\text{V}$, $I_o=-200\text{mA}$
Load regulation	V_l	-	0.05	0.15	V	$I_o=0\sim-200\text{mA}$, $V_i=-141\text{V}$
Output ripple voltage	V_p	-	0.05	0.15	Vp-p	$V_i=-141\text{V}$, $I_o=-200\text{mA}$ *2
Conversion efficiency	η	60	74	-	%	$V_i=-141\text{V}$, $I_o=-200\text{mA}$

*1 Based on derating curve.

*2 Spike noise is not included in output ripple voltage.

●Measurement circuit

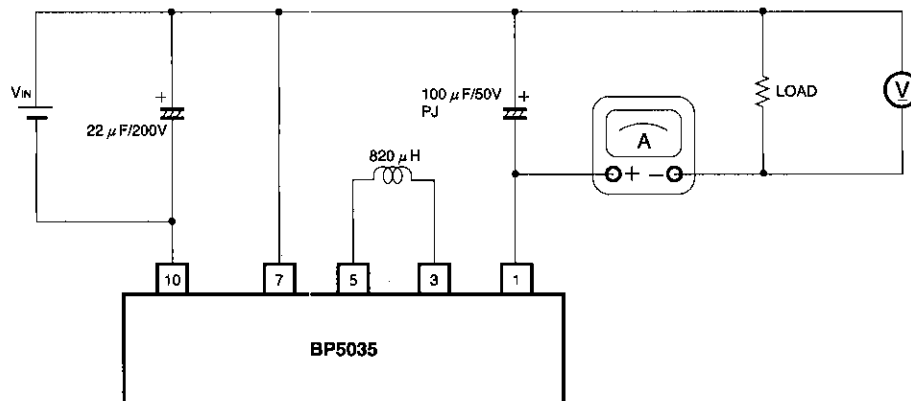


Fig.1

● Application example

Example showing BP5035 used in washing machine

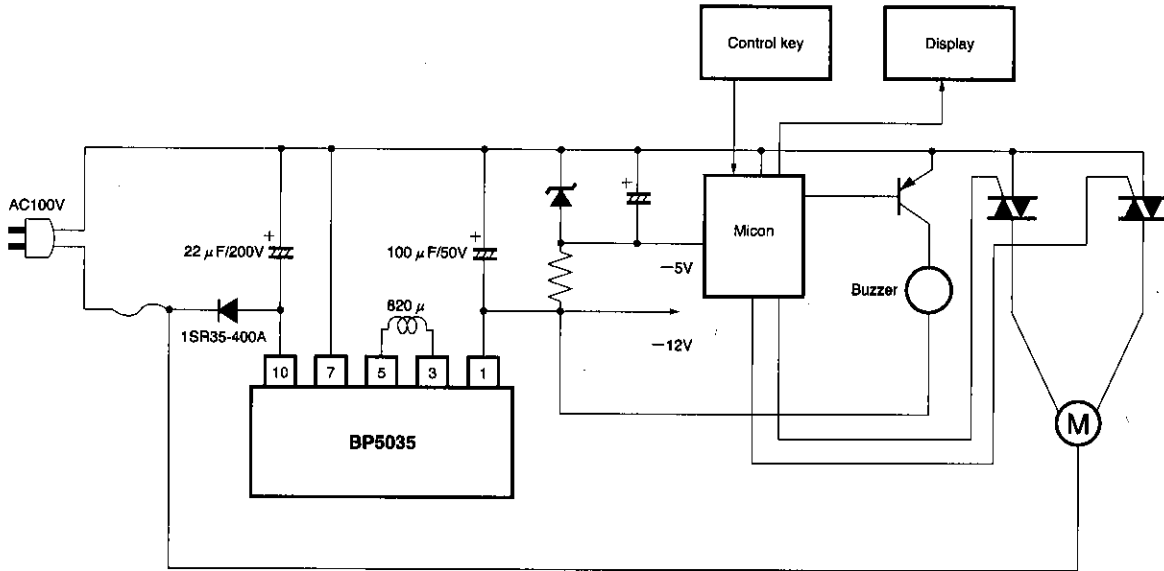


Fig.2

Basic power supply circuit

Half wave rectifier circuit

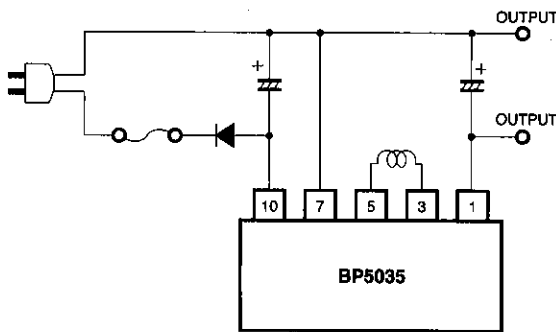


Fig.3

Full wave rectifier circuit

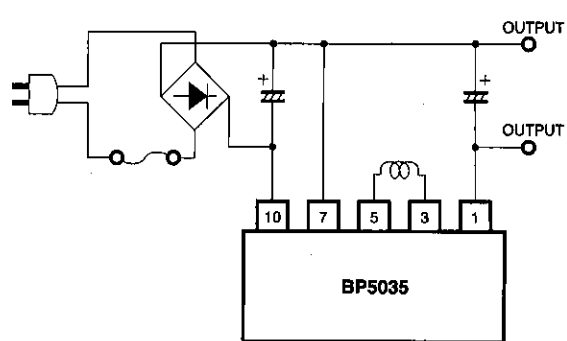


Fig.4

● Selecting attachments

(1) Diodes

The rectifying diodes used should fulfill the following conditions.

In the absolute maximum ratings, the reverse surge current should be 400V or higher, the average rectifying current should be 0.5A or higher, and the forward surge voltage should be 20A or higher.

(2) Capacitor for input voltage smoothing

A capacitor with a larger capacitance produces a more stable output voltage, but increases the surge current when the power supply is turned on. The capacitor should have a withstand resistance of at least 200V. Make sure a capacitor of 22 μ F or higher is used for half wave rectification, and 6.8 μ F or higher for full wave rectification.

(3) Capacitor for output voltage smoothing

This capacitor should have a low ESR. Capacitors designed for low-impedance switching power supplies are especially suitable. The ESR of the capacitor affects the output ripple voltage. Please refer to the table below for the names of products made by various manufacturers.

Maker	Product
Nichicon	PJ series
Matsushita Electric	Model A FA series

● Operation notes

(1) The output current needs to be reduced as the ambient temperature rises.

(2) Lead pins should be securely soldered. If COMMON pins are not securely connected, or pins which are connected internally but which are not used are connected to other pins, irregular voltages could be produced, causing breakdowns and damage.

(3) Excessive current and shorted loads

The excessive current limit is a drooping model. At 25°C, if excessive current which exceeds the absolute maximum ratings is produced intermittently, or is produced continuously for a total of one minute or longer, the product is vulnerable to damage. If there is any danger of the load being shorted or excessive current being produced, always use a protective device such as a fuse.

(4) Avoid subjecting this product to strong impact.

(5) Regulations governing electrical products

As a stand-alone product, this product is not subject to regulations governing electrical appliances. Please be aware, therefore, that applications must be submitted for sets and not for individual products.

(6) Insulation

This product is not insulated on the primary and secondary sides, and there is a danger of electrical shock if it is touched.

(7) Connections with other devices

Devices using this product should not be connected to other devices. If connected, insulation should be provided.

● Electrical characteristic curves

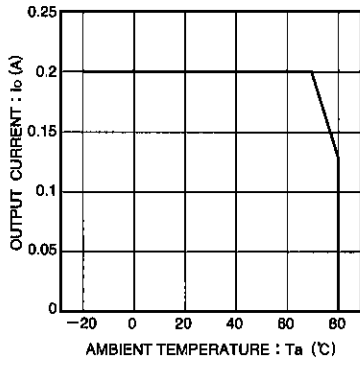


Fig.5 Derating curve

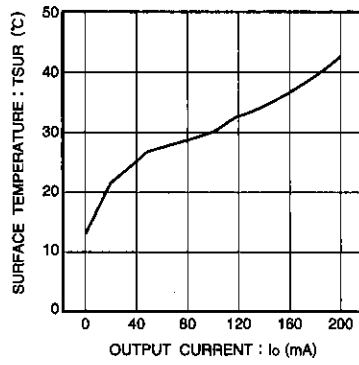


Fig.6 Surface temperature rise

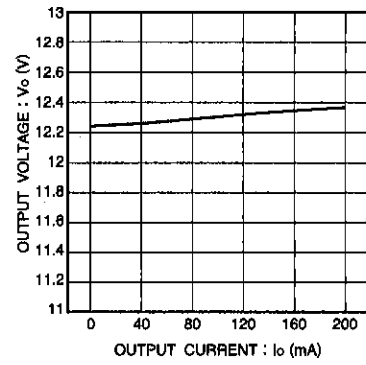


Fig.7 Output characteristic

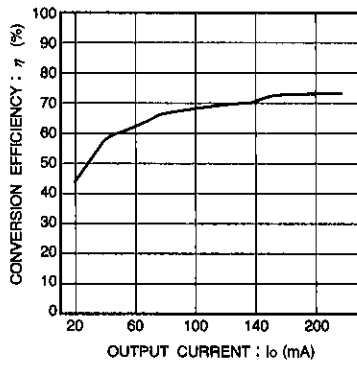
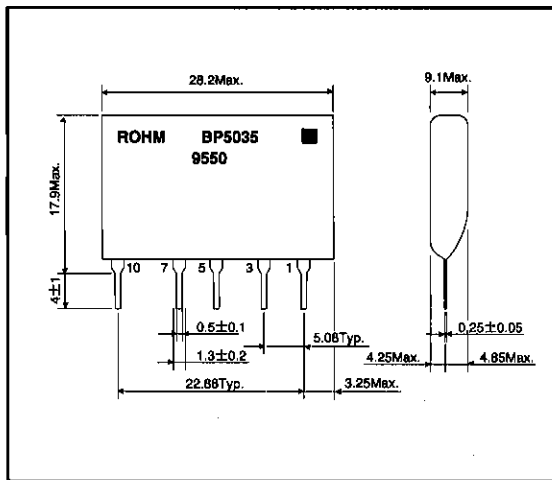


Fig.8 Conversion efficiency

● External dimensions (Units: mm)



Notes

- The contents described in this catalogue are correct as of March 1997.
- No unauthorized transmission or reproduction of this book, either in whole or in part, is permitted.
- The contents of this book are subject to change without notice. Always verify before use that the contents are the latest specifications. If, by any chance, a defect should arise in the equipment as a result of use without verification of the specifications, ROHM CO., LTD., can bear no responsibility whatsoever.
- Application circuit diagrams and circuit constants contained in this data book are shown as examples of standard use and operation. When designing for mass production, please pay careful attention to peripheral conditions.
- Any and all data, including, but not limited to application circuit diagrams, information, and various data, described in this catalogue are intended only as illustrations of such devices and not as the specifications for such devices. ROHM CO., LTD., disclaims any warranty that any use of such device shall be free from infringement of any third party's intellectual property rights or other proprietary rights, and further, assumes absolutely no liability in the event of any such infringement, or arising from or connected with or related to the use of such devices.
- Upon the sale of any such devices; other than for the buyer's right to use such devices itself, resell or otherwise dispose of the same; no express or implied right or license to practice or commercially exploit any intellectual property rights or other proprietary rights owned or controlled by ROHM CO., LTD., is granted to any such buyer.
- The products in this manual are manufactured with silicon as the main material.
- The products in this manual are not of radiation resistant design.

The products listed in this catalogue are designed to be used with ordinary electronic equipment or devices (such as audio-visual equipment, office-automation equipment, communications devices, electrical appliances, and electronic toys). Should you intend to use these products with equipment or devices which require an extremely high level of reliability and the malfunction of which would directly endanger human life (such as medical instruments, transportation equipment, aerospace machinery, nuclear-reactor controllers, fuel controllers, or other safety devices) please be sure to consult with our sales representatives in advance.

- Notes when exporting
 - It is essential to obtain export permission when exporting any of the above products when it falls under the category of strategic material (or labor) as determined by foreign exchange or foreign trade control laws.
 - Please be sure to consult with our sales representatives to ascertain whether any product is classified as a strategic material.