

NiCd/NiMH Fast-Charge Management ICs

Features

- Fast charge of nickel cadmium or nickel-metal hydride batteries
- Direct LED output displays charge status
- Fast-charge termination by $-\Delta V$, maximum voltage, maximum temperature, and maximum time
- Internal band-gap voltage reference
- Optional top-off charge
- Selectable pulse trickle charge rates
- Low-power mode
- 8-pin 300-mil DIP or 150-mil SOIC

General Description

The bq2002 and bq2002/F Fast-Charge ICs are low-cost CMOS battery-charge controllers providing reliable charge termination for both NiCd and NiMH battery applications. Controlling a current-limited or constant-current supply allows the bq2002/F to be the basis for a cost-effective stand-alone or system-integrated charger. The bq2002/F integrates fast charge with optional top-off and pulsed-trickle control in a single IC for charging one or more NiCd or NiMH battery cells.

Fast charge is initiated on application of the charging supply or battery replacement. For safety, fast charge is inhibited if the battery temperature and voltage are outside configured limits.

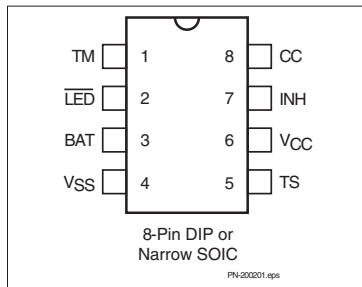
Fast charge is terminated by any of the following:

- Peak voltage detection (PVD)
- Negative delta voltage ($-\Delta V$)
- Maximum voltage
- Maximum temperature
- Maximum time

After fast charge, the bq2002/F optionally tops-off and pulse-trickles the battery per the pre-configured limits. Fast charge may be inhibited using the INH pin. The bq2002/F may also be placed in low-standby-power mode to reduce system power consumption.

The bq2002F differs from the bq2002 only in that a slightly different set of fast-charge and top-off time limits is available. All differences between the two ICs are illustrated in Table 1.

Pin Connections



Pin Names

TM	Timer mode select input	TS	Temperature sense input
LED	Charging status output	V _{CC}	Supply voltage input
BAT	Battery voltage input	INH	Charge inhibit input
V _{SS}	System ground	CC	Charge control output

bq2002/F Selection Guide

Part No.	TCO	HTF	LTF	$-\Delta V$	PVD	Fast Charge	t _{MTO}	Top-Off	Maintenance
bq2002	0.5 * V _{CC}	None	None		✓	C/2	160	C/32	C/64
					✓	1C	80	C/16	C/64
				✓		2C	40	None	C/32
bq2002F	0.5 * V _{CC}	None	None		✓	C/2	160	C/32	C/64
					✓	1C	100	C/16	C/64
				✓		2C	55	None	C/32

bq2002/F

Pin Descriptions

TM	Timer mode input
	A three-level input that controls the settings for the fast charge safety timer, voltage termination mode, top-off, pulse-trickle, and voltage hold-off time.
LED	Charging output status
	Open-drain output that indicates the charging status.
BAT	Battery input voltage
	The battery voltage sense input. The input to this pin is created by a high-impedance resistor divider network connected between the positive and negative terminals of the battery.
VSS	System ground
TS	Temperature sense input
	Input for an external battery temperature monitoring thermistor.
VCC	Supply voltage input
	5.0V ±20% power input.
INH	Charge inhibit input
	When high, INH suspends the fast charge in progress. When returned low, the IC resumes operation at the point where initially suspended.

CC Charge control output

An open-drain output used to control the charging current to the battery. CC switching to high impedance (Z) enables charging current to flow, and low to inhibit charging current. CC is modulated to provide top-off, if enabled, and pulse trickle.

Functional Description

Figure 2 shows a state diagram and Figure 3 shows a block diagram of the bq2002/F.

Battery Voltage and Temperature Measurements

Battery voltage and temperature are monitored for maximum allowable values. The voltage presented on the battery sense input, BAT, should represent a single-cell potential for the battery under charge. A resistor-divider ratio of

$$\frac{RB1}{RB2} = N - 1$$

is recommended to maintain the battery voltage within the valid range, where N is the number of cells, RB1 is the resistor connected to the positive battery terminal, and RB2 is the resistor connected to the negative battery terminal. See Figure 1.

Note: This resistor-divider network input impedance to end-to-end should be at least 200kΩ and less than 1 MΩ.

A ground-referenced negative temperature coefficient thermistor placed near the battery may be used as a low-cost temperature-to-voltage transducer. The temperature sense voltage input at TS is developed using a resistor-thermistor network between VCC and VSS. See Figure 1.

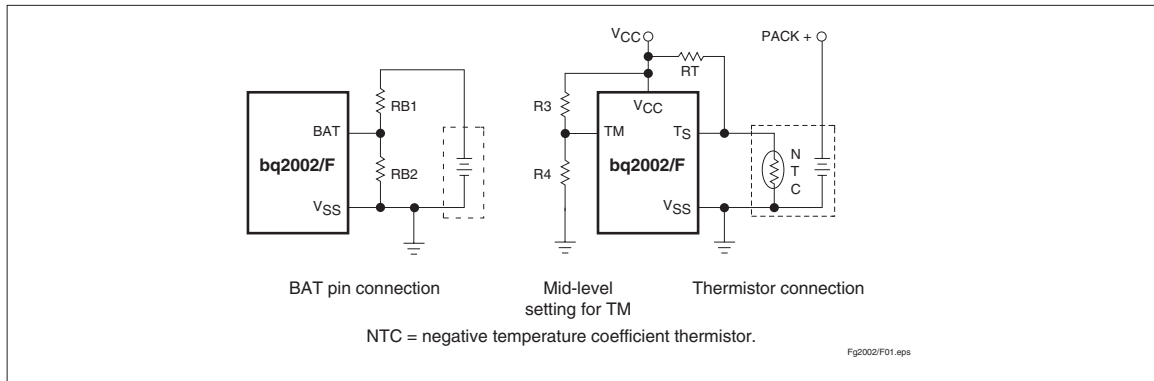


Figure 1. Voltage and Temperature Monitoring and TM Pin Configuration

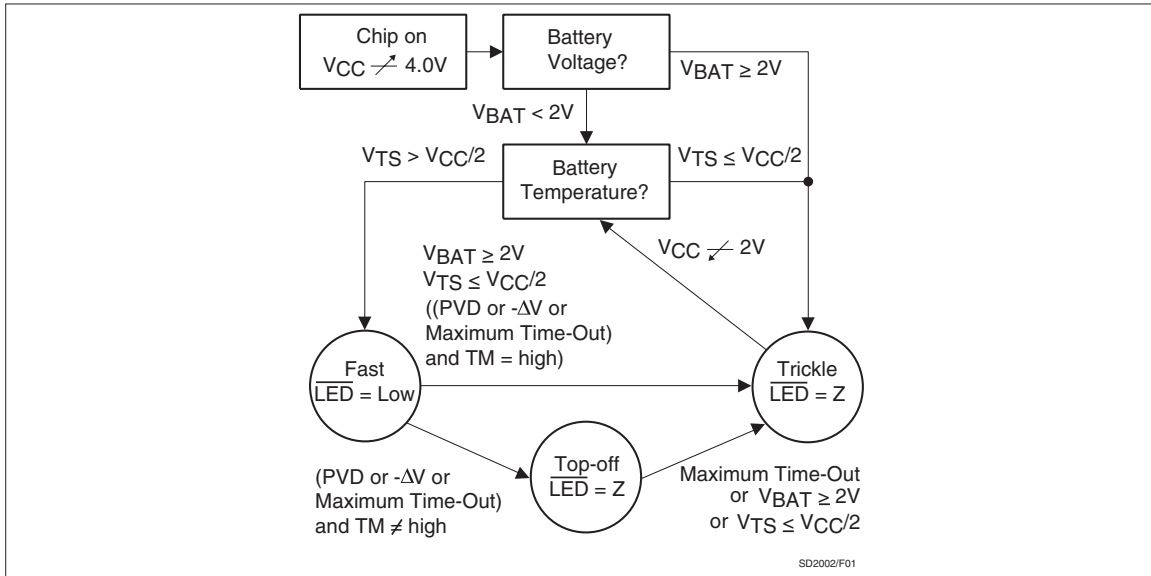


Figure 2. State Diagram

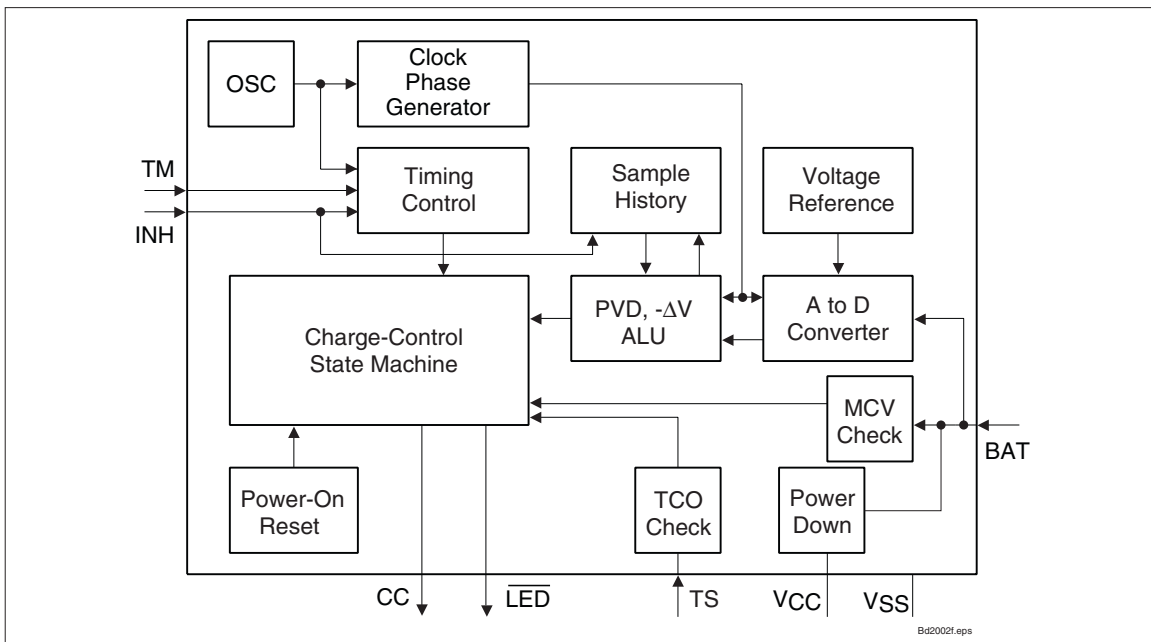


Figure 3. Block Diagram

bq2002/F

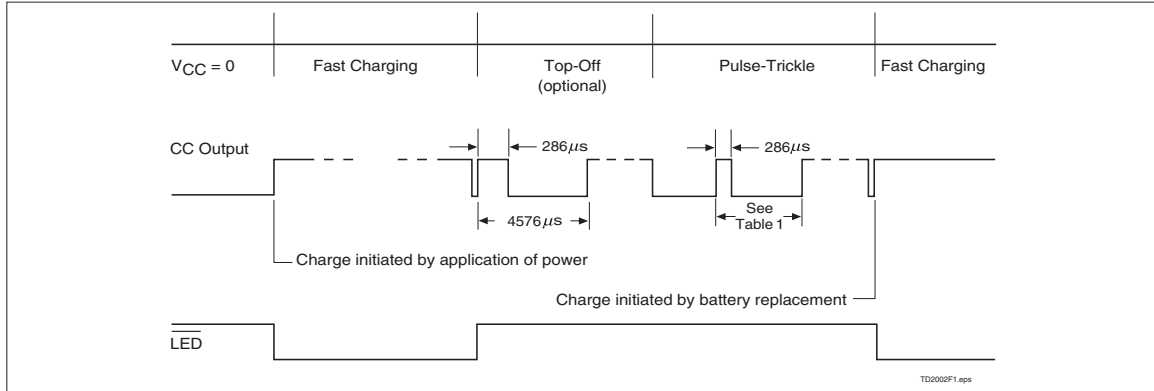


Figure 4. Charge Cycle Phases

Starting A Charge Cycle

Either of two events starts a charge cycle (see Figure 4):

1. Application of power to V_{CC} or
2. Voltage at the BAT pin falling through the maximum cell voltage V_{MCV} where

$$V_{MCV} = 2V \pm 5\%.$$

If the battery is within the configured temperature and voltage limits, the IC begins fast charge. The valid battery voltage range is $V_{BAT} < V_{MCV}$. The valid temperature range is $V_{TS} > V_{TCO}$ where

$$V_{TCO} = 0.5 * V_{CC} \pm 5\%.$$

If the battery voltage or temperature is outside of these limits, the IC pulse-trickle charges until the next new charge cycle begins.

Fast charge continues until termination by one or more of the five possible termination conditions:

- Peak voltage detection (PVD)
- Negative delta voltage ($-\Delta V$)
- Maximum voltage
- Maximum temperature
- Maximum time

Table 1. Fast-Charge Safety Time/Hold-Off Table

Corresponding Fast-Charge Rate	TM	Termination	Typical Fast-Charge and Top-Off Time Limits (minutes)		Typical PVD and $-\Delta V$ Hold-Off Time (seconds)	Top-Off Rate	Pulse-Trickle Rate	Pulse-Trickle Period (ms)
			bq2002	bq2002F				
C/2	Mid	PVD	160	160	600	C/32	C/64	9.15
1C	Low	PVD	80	100	300	C/16	C/64	18.3
2C	High	$-\Delta V$	40	40	150	Disabled	C/32	18.3

Notes: Typical conditions = 25°C, $V_{CC} = 5.0V$.
 Mid = $0.5 * V_{CC} \pm 5V$
 Tolerance on all timing is $\pm 20\%$.

PVD and $-\Delta V$ Termination

There are two modes for voltage termination depending on the state of TM. For $-\Delta V$ (TM = high), if V_{BAT} is lower than any previously measured value by $12\text{mV} \pm 3\text{mV}$, fast charge is terminated. For PVD (TM = low or mid), a decrease of $2.5\text{mV} \pm 2.5\text{mV}$ terminates fast charge. The PVD and $-\Delta V$ tests are valid in the range $1\text{V} < V_{BAT} < 2\text{V}$.

Voltage Sampling

Voltage is sampled at the BAT pin for PVD and $-\Delta V$ termination once every 17s. The sample is an average of voltage measurements taken $570\mu\text{s}$ apart. The IC takes 32 measurements in PVD mode and 16 measurements in $-\Delta V$ mode. The resulting sample periods (9.17 and 18.18ms, respectively) filter out harmonics centered around 55 and 109Hz. This technique minimizes the effect of any AC line ripple that may feed through the power supply from either 50 or 60Hz AC sources. Tolerance on all timing is $\pm 20\%$.

Voltage Termination Hold-off

A hold-off period occurs at the start of fast charging. During the hold-off time, the PVD and $-\Delta V$ terminations are disabled. This avoids premature termination on the voltage spikes sometimes produced by older batteries when fast-charge current is first applied. Maximum voltage and temperature terminations are not affected by the hold-off period.

Maximum Voltage, Temperature, and Time

Any time the voltage on the BAT pin exceeds the maximum cell voltage, V_{MCV} , fast charge or optional top-off charge is terminated.

Maximum temperature termination occurs anytime the voltage on the TS pin falls below the temperature cut-off threshold V_{TCO} .

Maximum charge time is configured using the TM pin. Time settings are available for corresponding charge rates of C/2, 1C, and 2C. Maximum time-out termination is enforced on the fast-charge phase, then reset, and enforced again on the top-off phase, if selected. There is no time limit on the trickle-charge phase.

Top-off Charge

An optional top-off charge phase may be selected to follow fast charge termination for 1C and C/2 rates. This phase may be necessary on NiMH or other battery chemistries that have a tendency to terminate charge prior to reaching full capacity. With top-off enabled, charging continues at a reduced rate after fast-charge termination for a period of time selected by the TM pin. (See Table 1.) During top-off, the CC

pin is modulated at a duty cycle of $286\mu\text{s}$ active for every $4290\mu\text{s}$ inactive. This modulation results in an average rate 1/16th that of the fast charge rate. Maximum voltage, time, and temperature are the only termination methods enabled during top-off.

Pulse-Trickle Charge

Pulse-trickle is used to compensate for self-discharge while the battery is idle in the charger. The battery is pulse-trickle charged by driving the CC pin active for a period of $286\mu\text{s}$ for every 18.0ms of inactivity for 1C and 2C selections, and $286\mu\text{s}$ for every 8.86ms of inactivity for C/2 selection. This results in a trickle rate of C/64 for the top-off enabled mode and C/32 otherwise.

TM Pin

The TM pin is a three-level pin used to select the charge timer, top-off, voltage termination mode, trickle rate, and voltage hold-off period options. Table 1 describes the states selected by the TM pin. The mid-level selection input is developed by a resistor divider between V_{CC} and ground that fixes the voltage on TM at $V_{CC}/2 \pm 0.5\text{V}$. See Figure 4.

Charge Status Indication

A fast charge in progress is uniquely indicated when the LED pin goes low. The LED pin is driven to the high-Z state for all conditions other than fast charge. Figure 2 outlines the state of the LED pin during charge.

Charge Inhibit

Fast charge and top-off may be inhibited by using the INH pin. When high, INH suspends all fast charge and top-off activity and the internal charge timer. INH freezes the current state of LED until inhibit is removed. Temperature monitoring is not affected by the INH pin. During charge inhibit, the bq2002/F continues to pulse-trickle charge the battery per the TM selection. When INH returns low, charge control and the charge timer resume from the point where INH became active.

Low-Power Mode

The IC enters a low-power state when V_{BAT} is driven above the power-down threshold (V_{PD}) where

$$V_{PD} = V_{CC} - (1\text{V} \pm 0.5\text{V})$$

Both the CC pin and the $\overline{\text{LED}}$ pin are driven to the high-Z state. The operating current is reduced to less than $1\mu\text{A}$ in this mode. When V_{BAT} returns to a value below V_{PD} , the IC pulse-trickle charges until the next new charge cycle begins.

bq2002/F

Absolute Maximum Ratings

Symbol	Parameter	Minimum	Maximum	Unit	Notes
V _{CC}	V _{CC} relative to V _{SS}	-0.3	+7.0	V	
V _T	DC voltage applied on any pin excluding V _{CC} relative to V _{SS}	-0.3	+7.0	V	
T _{OPR}	Operating ambient temperature	0	+70	°C	Commercial
T _{STG}	Storage temperature	-40	+85	°C	
T _{SOLDER}	Soldering temperature	-	+260	°C	10 sec max.
T _{BIAS}	Temperature under bias	-40	+85	°C	

Note: Permanent device damage may occur if **Absolute Maximum Ratings** are exceeded. Functional operation should be limited to the Recommended DC Operating Conditions detailed in this data sheet. Exposure to conditions beyond the operational limits for extended periods of time may affect device reliability.

DC Thresholds (T_A = 0 to 70°C; V_{CC} ±20%)

Symbol	Parameter	Rating	Tolerance	Unit	Notes
V _{TCO}	Temperature cutoff	0.5 * V _{CC}	±5%	V	V _{TS} ≤ V _{TCO} inhibits/terminates fast charge and top-off
V _{MCV}	Maximum cell voltage	2	±5%	V	V _{BAT} ≥ V _{MCV} inhibits/terminates fast charge and top-off
-ΔV	BAT input change for -ΔV detection	-12	±3	mV	
PVD	BAT input change for PVD detection	-2.5	±2.5	mV	

Recommended DC Operating Conditions ($T_A = 0$ to 70°C)

Symbol	Condition	Minimum	Typical	Maximum	Unit	Notes
V_{CC}	Supply voltage	4.0	5.0	6.0	V	
V_{DET}	$-\Delta V$, PVD detect voltage	1	-	2	V	
V_{BAT}	Battery input	0	-	V_{CC}	V	
V_{TS}	Thermistor input	0.5	-	V_{CC}	V	$V_{TS} < 0.5\text{V}$ prohibited
V_{IH}	Logic input high	0.5	-	-	V	INH
	Logic input high	$V_{CC} - 0.5$	-	-	V	TM
V_{IM}	Logic input mid	$\frac{V_{CC}}{2} - 0.5$	-	$\frac{V_{CC}}{2} + 0.5$	V	TM
V_{IL}	Logic input low	-	-	0.1	V	INH
	Logic input low	-	-	0.5	V	TM
V_{OL}	Logic output low	-	-	0.8	V	$\overline{\text{LED}}$, CC, $I_{OL} = 10\text{mA}$
V_{PD}	Power down	$V_{CC} - 1.5$	-	$V_{CC} - 0.5$	V	$V_{BAT} \geq V_{PD}$ max. powers down bq2002/F; $V_{BAT} < V_{PD}$ min. = normal operation.
I_{CC}	Supply current	-	-	250	μA	Outputs unloaded, $V_{CC} = 5.1\text{V}$
I_{SB}	Standby current	-	-	1	μA	$V_{CC} = 5.1\text{V}$, $V_{BAT} = V_{PD}$
I_{OL}	$\overline{\text{LED}}$, CC sink	10	-	-	mA	@ $V_{OL} = V_{SS} + 0.8\text{V}$
I_L	Input leakage	-	-	± 1	μA	INH, CC, $V = V_{SS}$ to V_{CC}
I_{OZ}	Output leakage in high-Z state	-5	-	-	μA	$\overline{\text{LED}}$, CC

Note: All voltages relative to V_{SS} .

bq2002/F

Impedance

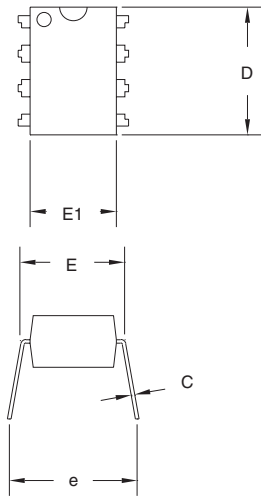
Symbol	Parameter	Minimum	Typical	Maximum	Unit
R _{BAT}	Battery input impedance	50	-	-	MΩ
R _{TS}	TS input impedance	50	-	-	MΩ

Timing (T_A = 0 to +70°C; V_{CC} ±10%)

Symbol	Parameter	Minimum	Typical	Maximum	Unit	Notes
d _{FCV}	Base time variation	-20	-	20	%	

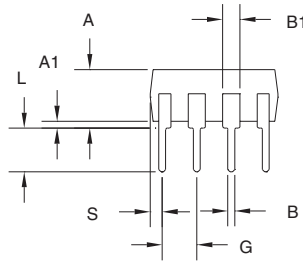
Note: Typical is at T_A = 25°C, V_{CC} = 5.0V.

8-Pin DIP (PN)

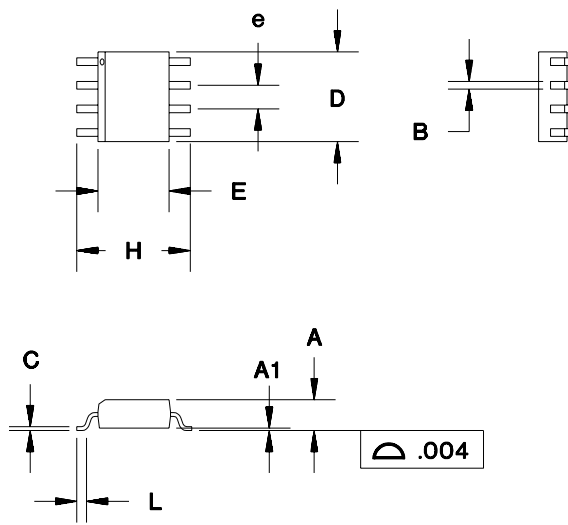


8-Pin PN (0.300" DIP)

Dimension	Inches		Millimeters	
	Min.	Max.	Min.	Max.
A	0.160	0.180	4.06	4.57
A1	0.015	0.040	0.38	1.02
B	0.015	0.022	0.38	0.56
B1	0.055	0.065	1.40	1.65
C	0.008	0.013	0.20	0.33
D	0.350	0.380	8.89	9.65
E	0.300	0.325	7.62	8.26
E1	0.230	0.280	5.84	7.11
e	0.300	0.370	7.62	9.40
G	0.090	0.110	2.29	2.79
L	0.115	0.150	2.92	3.81
S	0.020	0.040	0.51	1.02



8-Pin SOIC Narrow (SN)



8-Pin SN (0.150" SOIC)

Dimension	Inches		Millimeters	
	Min.	Max.	Min.	Max.
A	0.060	0.070	1.52	1.78
A1	0.004	0.010	0.10	0.25
B	0.013	0.020	0.33	0.51
C	0.007	0.010	0.18	0.25
D	0.185	0.200	4.70	5.08
E	0.150	0.160	3.81	4.06
e	0.045	0.055	1.14	1.40
H	0.225	0.245	5.72	6.22
L	0.015	0.035	0.38	0.89



Package Option:

PN = 8-pin plastic DIP
SN = 8-pin narrow SOIC

Device:

bq2002 Fast-Charge IC
bq2002F Fast-Charge IC

bq2002/F**Data Sheet Revision History**

Change No. ⁽¹⁾	Page No.	Description	Nature of Change
1	3	Was: Table 1 gave the bq2002/F Operational Summary. Is: Figure 2 gives the bq2002/F Operational Summary.	Changed table to figure.
1	5	Added Termination column to table and Top-off values.	Added column and values.
2	All	Revised and expanded this data sheet to include bq2002F	
3	1	Revised and expanded this data sheet to include bq2002F	
4	5	Voltage Sampling — From: Average of voltage measurements taken 57us apart. To: Average of voltage measurements taken 570us apart.	

- (1) Change 1 = Sept. 1996 changes from July 1994.
Change 2 = Aug. 1997 changes from Sept. 1996 .
Change 3 = Jan. 1999 changes from Aug. 1997.
Change 4 = April 2009 changes from Jan 1999.

PACKAGING INFORMATION

Orderable Device	Status ⁽¹⁾	Package Type	Package Drawing	Pins	Package Qty	Eco Plan ⁽²⁾	Lead/ Ball Finish	MSL Peak Temp ⁽³⁾	Samples (Requires Login)
BQ2002FPN	ACTIVE	PDIP	P	8	50	Pb-Free (RoHS)	CU NIPDAU	N / A for Pkg Type	
BQ2002FPNE4	ACTIVE	PDIP	P	8	50	Pb-Free (RoHS)	CU NIPDAU	N / A for Pkg Type	
BQ2002FSN	ACTIVE	SOIC	D	8	75	Green (RoHS & no Sb/Br)	CU NIPDAU	Level-1-260C-UNLIM	
BQ2002FSNG4	ACTIVE	SOIC	D	8	75	Green (RoHS & no Sb/Br)	CU NIPDAU	Level-1-260C-UNLIM	
BQ2002FSNTR	ACTIVE	SOIC	D	8	2500	Green (RoHS & no Sb/Br)	CU NIPDAU	Level-1-260C-UNLIM	
BQ2002FSNTRG4	ACTIVE	SOIC	D	8	2500	Green (RoHS & no Sb/Br)	CU NIPDAU	Level-1-260C-UNLIM	
BQ2002PN	ACTIVE	PDIP	P	8	50	Pb-Free (RoHS)	CU NIPDAU	N / A for Pkg Type	
BQ2002PNE4	ACTIVE	PDIP	P	8	50	Pb-Free (RoHS)	CU NIPDAU	N / A for Pkg Type	
BQ2002SN	ACTIVE	SOIC	D	8	75	Green (RoHS & no Sb/Br)	CU NIPDAU	Level-1-260C-UNLIM	
BQ2002SN-SANTR	ACTIVE	SOIC	D	8		Green (RoHS & no Sb/Br)	CU NIPDAU	Level-1-260C-UNLIM	
BQ2002SNG4	ACTIVE	SOIC	D	8	75	Green (RoHS & no Sb/Br)	CU NIPDAU	Level-1-260C-UNLIM	
BQ2002SNTR	ACTIVE	SOIC	D	8	2500	Green (RoHS & no Sb/Br)	CU NIPDAU	Level-1-260C-UNLIM	
BQ2002SNTRG4	ACTIVE	SOIC	D	8	2500	Green (RoHS & no Sb/Br)	CU NIPDAU	Level-1-260C-UNLIM	

⁽¹⁾ The marketing status values are defined as follows:

ACTIVE: Product device recommended for new designs.

LIFEBUY: TI has announced that the device will be discontinued, and a lifetime-buy period is in effect.

NRND: Not recommended for new designs. Device is in production to support existing customers, but TI does not recommend using this part in a new design.

PREVIEW: Device has been announced but is not in production. Samples may or may not be available.

OBSELETE: TI has discontinued the production of the device.

⁽²⁾ Eco Plan - The planned eco-friendly classification: Pb-Free (RoHS), Pb-Free (RoHS Exempt), or Green (RoHS & no Sb/Br) - please check <http://www.ti.com/productcontent> for the latest availability information and additional product content details.

TBD: The Pb-Free/Green conversion plan has not been defined.

Pb-Free (RoHS): TI's terms "Lead-Free" or "Pb-Free" mean semiconductor products that are compatible with the current RoHS requirements for all 6 substances, including the requirement that lead not exceed 0.1% by weight in homogeneous materials. Where designed to be soldered at high temperatures, TI Pb-Free products are suitable for use in specified lead-free processes.

Pb-Free (RoHS Exempt): This component has a RoHS exemption for either 1) lead-based flip-chip solder bumps used between the die and package, or 2) lead-based die adhesive used between the die and leadframe. The component is otherwise considered Pb-Free (RoHS compatible) as defined above.

Green (RoHS & no Sb/Br): TI defines "Green" to mean Pb-Free (RoHS compatible), and free of Bromine (Br) and Antimony (Sb) based flame retardants (Br or Sb do not exceed 0.1% by weight in homogeneous material)

⁽³⁾ MSL, Peak Temp. -- The Moisture Sensitivity Level rating according to the JEDEC industry standard classifications, and peak solder temperature.

Important Information and Disclaimer: The information provided on this page represents TI's knowledge and belief as of the date that it is provided. TI bases its knowledge and belief on information provided by third parties, and makes no representation or warranty as to the accuracy of such information. Efforts are underway to better integrate information from third parties. TI has taken and continues to take reasonable steps to provide representative and accurate information but may not have conducted destructive testing or chemical analysis on incoming materials and chemicals. TI and TI suppliers consider certain information to be proprietary, and thus CAS numbers and other limited information may not be available for release.

In no event shall TI's liability arising out of such information exceed the total purchase price of the TI part(s) at issue in this document sold by TI to Customer on an annual basis.

TAPE AND REEL INFORMATION



QUADRANT ASSIGNMENTS FOR PIN 1 ORIENTATION IN TAPE



*All dimensions are nominal

Device	Package Type	Package Drawing	Pins	SPQ	Reel Diameter (mm)	Reel Width W1 (mm)	A0 (mm)	B0 (mm)	K0 (mm)	P1 (mm)	W (mm)	Pin1 Quadrant
BQ2002FSNTR	SOIC	D	8	2500	330.0	12.4	6.4	5.2	2.1	8.0	12.0	Q1
BQ2002SN-SANTR	SOIC	D	8	0	330.0	12.4	6.4	5.2	2.1	8.0	12.0	Q1
BQ2002SNTR	SOIC	D	8	2500	330.0	12.4	6.4	5.2	2.1	8.0	12.0	Q1

TAPE AND REEL BOX DIMENSIONS


*All dimensions are nominal

Device	Package Type	Package Drawing	Pins	SPQ	Length (mm)	Width (mm)	Height (mm)
BQ2002FSNTR	SOIC	D	8	2500	340.5	338.1	20.6
BQ2002SN-SANTR	SOIC	D	8	0	340.5	338.1	20.6
BQ2002SNTR	SOIC	D	8	2500	340.5	338.1	20.6

IMPORTANT NOTICE

Texas Instruments Incorporated and its subsidiaries (TI) reserve the right to make corrections, enhancements, improvements and other changes to its semiconductor products and services per JESD46, latest issue, and to discontinue any product or service per JESD48, latest issue. Buyers should obtain the latest relevant information before placing orders and should verify that such information is current and complete. All semiconductor products (also referred to herein as "components") are sold subject to TI's terms and conditions of sale supplied at the time of order acknowledgment.

TI warrants performance of its components to the specifications applicable at the time of sale, in accordance with the warranty in TI's terms and conditions of sale of semiconductor products. Testing and other quality control techniques are used to the extent TI deems necessary to support this warranty. Except where mandated by applicable law, testing of all parameters of each component is not necessarily performed.

TI assumes no liability for applications assistance or the design of Buyers' products. Buyers are responsible for their products and applications using TI components. To minimize the risks associated with Buyers' products and applications, Buyers should provide adequate design and operating safeguards.

TI does not warrant or represent that any license, either express or implied, is granted under any patent right, copyright, mask work right, or other intellectual property right relating to any combination, machine, or process in which TI components or services are used. Information published by TI regarding third-party products or services does not constitute a license to use such products or services or a warranty or endorsement thereof. Use of such information may require a license from a third party under the patents or other intellectual property of the third party, or a license from TI under the patents or other intellectual property of TI.

Reproduction of significant portions of TI information in TI data books or data sheets is permissible only if reproduction is without alteration and is accompanied by all associated warranties, conditions, limitations, and notices. TI is not responsible or liable for such altered documentation. Information of third parties may be subject to additional restrictions.

Resale of TI components or services with statements different from or beyond the parameters stated by TI for that component or service voids all express and any implied warranties for the associated TI component or service and is an unfair and deceptive business practice. TI is not responsible or liable for any such statements.

Buyer acknowledges and agrees that it is solely responsible for compliance with all legal, regulatory and safety-related requirements concerning its products, and any use of TI components in its applications, notwithstanding any applications-related information or support that may be provided by TI. Buyer represents and agrees that it has all the necessary expertise to create and implement safeguards which anticipate dangerous consequences of failures, monitor failures and their consequences, lessen the likelihood of failures that might cause harm and take appropriate remedial actions. Buyer will fully indemnify TI and its representatives against any damages arising out of the use of any TI components in safety-critical applications.

In some cases, TI components may be promoted specifically to facilitate safety-related applications. With such components, TI's goal is to help enable customers to design and create their own end-product solutions that meet applicable functional safety standards and requirements. Nonetheless, such components are subject to these terms.

No TI components are authorized for use in FDA Class III (or similar life-critical medical equipment) unless authorized officers of the parties have executed a special agreement specifically governing such use.

Only those TI components which TI has specifically designated as military grade or "enhanced plastic" are designed and intended for use in military/aerospace applications or environments. Buyer acknowledges and agrees that any military or aerospace use of TI components which have **not** been so designated is solely at the Buyer's risk, and that Buyer is solely responsible for compliance with all legal and regulatory requirements in connection with such use.

TI has specifically designated certain components which meet ISO/TS16949 requirements, mainly for automotive use. Components which have not been so designated are neither designed nor intended for automotive use; and TI will not be responsible for any failure of such components to meet such requirements.

Products

Audio	www.ti.com/audio
Amplifiers	amplifier.ti.com
Data Converters	dataconverter.ti.com
DLP® Products	www.dlp.com
DSP	dsp.ti.com
Clocks and Timers	www.ti.com/clocks
Interface	interface.ti.com
Logic	logic.ti.com
Power Mgmt	power.ti.com
Microcontrollers	microcontroller.ti.com
RFID	www.ti-rfid.com
OMAP Applications Processors	www.ti.com/omap
Wireless Connectivity	www.ti.com/wirelessconnectivity

Applications

Automotive and Transportation	www.ti.com/automotive
Communications and Telecom	www.ti.com/communications
Computers and Peripherals	www.ti.com/computers
Consumer Electronics	www.ti.com/consumer-apps
Energy and Lighting	www.ti.com/energy
Industrial	www.ti.com/industrial
Medical	www.ti.com/medical
Security	www.ti.com/security
Space, Avionics and Defense	www.ti.com/space-avionics-defense
Video and Imaging	www.ti.com/video

TI E2E Community

e2e.ti.com