

Digital servo controller for VCR

BU2880 Series

The BU2880 is an LSI linear digital-servo controller that allows construction of a VCR servo system using one IC. The DRUM and CAPSTAN systems have digital filters, and the IC is compatible with VISS/VASS overwriting and wide-aspect operation.

●Applications

Video cassette recorders

●Features

- 1) All VCR servo functions on a single chip.
- 2) Digital filters in the DRUM and CAPSTAN speed and phase systems.
- 3) Built-in CTL amplifier with serial gain setting.
- 4) VISS/VASS overwriting and INDEX detection functions for wide-aspect operation.
- 5) DRUM fh compensation calculation function from speed detect function.
- 6) 6.5H discrimination.
- 7) Compatible with 19 μ m heads.

●Absolute maximum ratings (Ta=25°C)

Parameter	Symbol	Limits	Unit
Power supply voltage	V _{DD}	7.0	V
Power dissipation	P _d	500*	mW
Operating temperature	T _{opr}	-15~70	°C
Storage temperature	T _{stg}	-55~125	°C

* Reduced by 5mW for each increase in Ta of 1°C over 25°C.

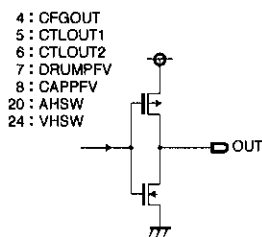
●Recommended operating conditions (Ta=25°C)

Parameter	Symbol	Min.	Typ.	Max.	Unit
Power supply voltage	V _{DD}	4.5	5.0	5.5	V

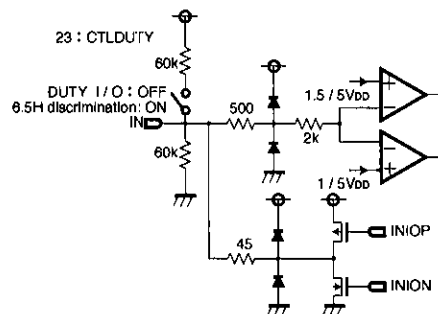
● Pin descriptions

Pin No.	Pin name	Function
1	SDATA	Serial data input (tri-state)
2	VSYNCIN	Composite sync input
3	FSCIN	System clock input
4	CFGOUT	CFG divider output
5	CTLOUT1	CTL comparator output
6	CTLOUT2	CTL divider output
7	DRUMPFV	DRUM control output (digital filter output)
8	CAPPFV	CAPSTAN control output (digital filter output)
9	V _{DD}	Power supply
10	CTLAMPOUT	CTLAMP output
11	CTLAMP ⁻	CTLAMP - input
12	CTLAMP ⁺	CTLAMP + input
13	RECCTL ⁻	Recording CTL - output
14	RECCTL ⁺	Recording CTL + output
15	CTLCOMPIN	CTL comparator input
16	VSS	GND
17	CFGIN	CFG input
18	VPDLY	Quasi-VH pulse delay amount control input
19	VHPULSE	Quasi-VH pulse output
20	AHSW	Head switch audio output
21	DPGIN	DRUM PG input
22	DFGIN	DRUM FG input
23	CTLDUTY	Duty discrimination, VISS discrimination, 6.5H discrimination output / VASS duty control input
24	VHSW	HEAD SW video output

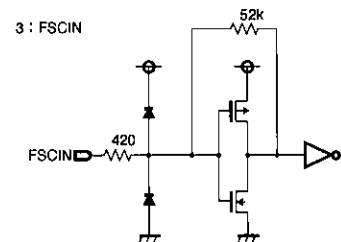
● Input/output circuits



Logic output

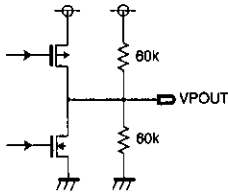


Shared input/output terminal



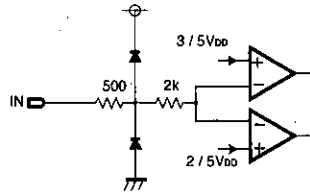
FSC Input

19 : VHPULSE



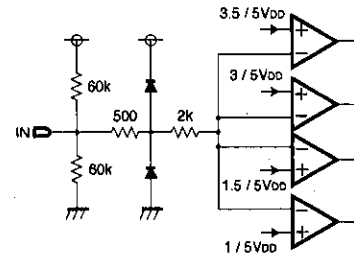
Tri-state output

2 : VSYNCIN
18 : VPDLY



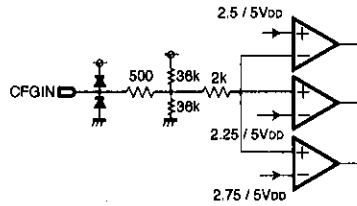
Two-value input

1 : SDATA



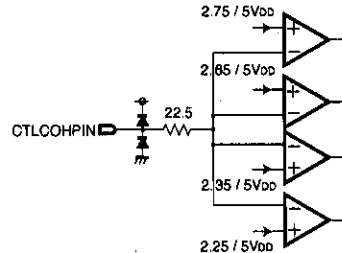
Three-value input

17 : CFGIN



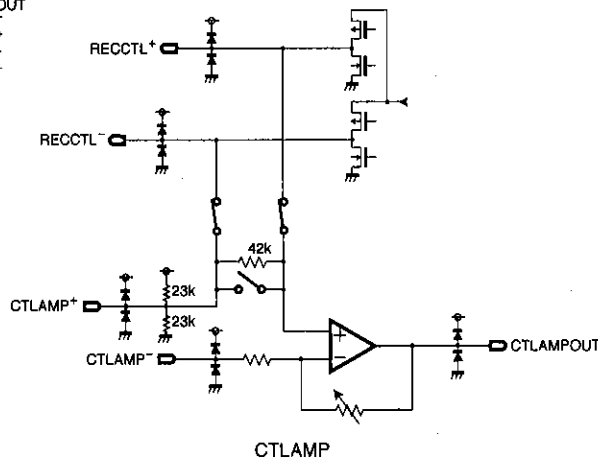
CFG input (zero cross comparator)

15 : CTLCOMP IN



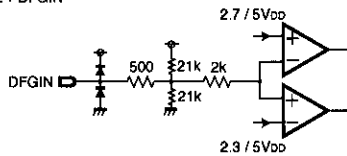
CTL comparator input

10 : CTLAMPOUT
11 : CTLAMP-
12 : CTLAMP+
13 : RECCTL-
14 : RECCTL+



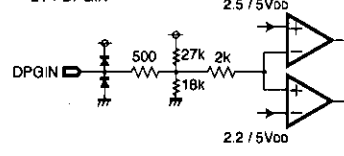
CTLAMP

22 : DFGIN



DFG input

21 : DPGIN



DPG input

Digital servos

VCR components

●Electrical characteristics (Unless otherwise specified: Ta=25°C and V_{DD}=5V)

Parameter	Symbol	Min.	Typ.	Max.	Unit	Conditions
Circuit current	I _{DD}	—	27	38	mA	
Power on reset threshold	V _{PON}	1.0	1.5	2.0	V	
Two-value output high voltage	V _H	4.0	4.5	—	V	I _{LOAD} =1.5mA
Two-value output low voltage	V _L	—	0.4	1.0	V	I _{LOAD} =1.5mA
Two-value input threshold	V _{TH}	2.5	3.0	3.5	V	Schmitt level +0V, -1.0V
Two-value input current	I _{LIN}	—	0	1	μA	V _{IN} =V _{DD} , GND
Pullup input current	I _{PU}	59	83	116	μA	V _{IN} =GND
CFG input current	I _{CFG}	100	140	196	μA	V _{IN} =V _{DD} , GND
Three-value output high voltage	V _{H3}	4.0	4.5	—	V	I _{LOAD} =1.5mA
Three-value output low voltage	V _{L3}	—	0.4	1.0	V	I _{LOAD} =1.5mA
Three-value output mid voltage	V _{M3}	2.0	2.5	3.0	V	
Three-value input "H" threshold	V _{TINH}	3.10	3.50	4.00	V	Schmitt level +0V, -0.5V
Three-value input "L" threshold	V _{TINL}	1.00	1.50	1.90	V	Schmitt level +0V, -0.5V
Three-value input current (+/-)	I _{TIN}	59	83	116	μA	V _{IN} =V _{DD} , GND
FSC operating input level	V _{RCK}	0.2	—	4.0	V _{PP}	AC coupled, duty: 40 to 60%, C=1000pF
FSC input current (+/-)	I _{FSCIN}	61	85	119	μA	V _{IN} =V _{DD} , GND
RECCTL output high voltage	V _{RCTH}	4.00	4.56	—	V	I _{LOAD} =2.0mA
RECCTL output low voltage	V _{RCTL}	—	0.16	0.60	V	I _{LOAD} =2.0mA
(CTLAMP)						
Output high voltage	V _{OH}	3.8	4.3	—	V	I _{LOAD} =1.0mA
Output low voltage	V _{OL}	—	0.2	0.5	V	I _{LOAD} =1.0mA
CTLAMP comparator level	V _{CTL}	200	250	300	mV	With respect to bias
CTLAMP comparator width	V _{CO}	75	100	125	mV	
CTLAMP bias level	V _{BI}	2.4	2.5	2.6	V	

©Not designed for radiation resistance.

● Measurement circuit

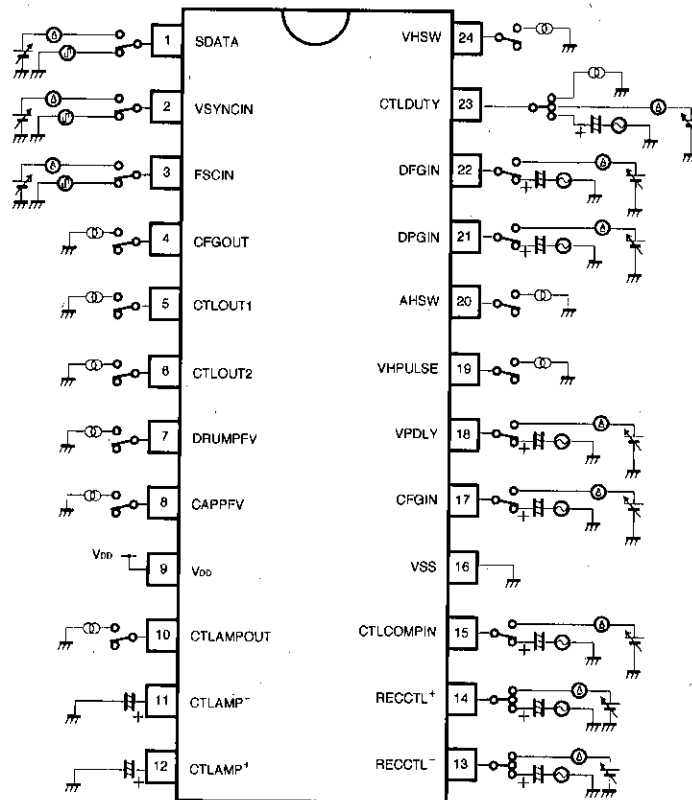


Fig.1

● Electrical characteristic curves

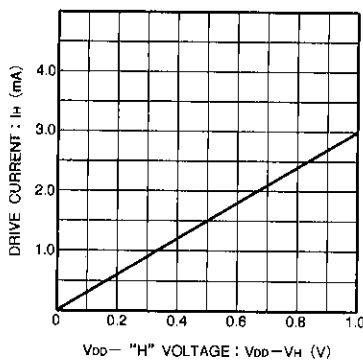


Fig. 2 Two-value output "H" voltage vs. drive current characteristics

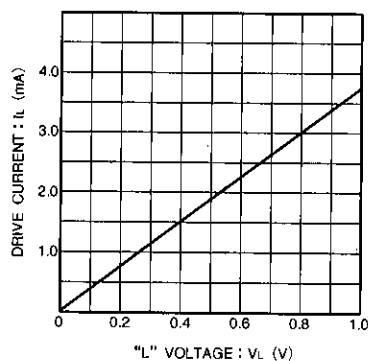


Fig. 3 Two-value output "L" voltage vs. drive current characteristics

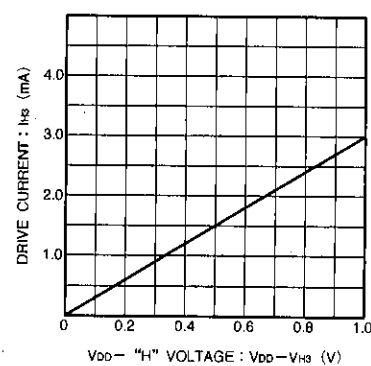


Fig. 4 Three-value output "H" voltage vs. drive current characteristics

●Electrical characteristic curves

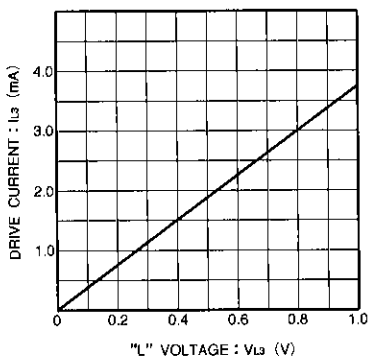


Fig. 5 Three-value output "L" voltage vs. drive current characteristics

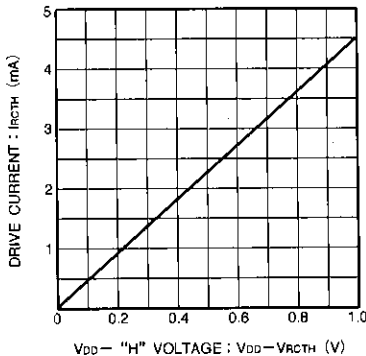


Fig. 6 RECCTL output "H" voltage vs. drive current characteristics

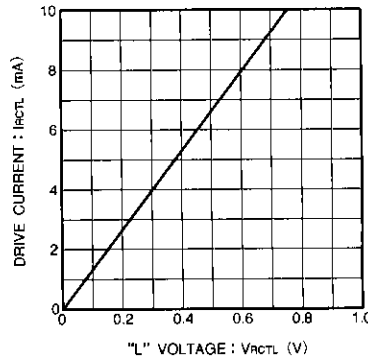


Fig. 7 RECCTL output "L" voltage vs. drive current characteristics

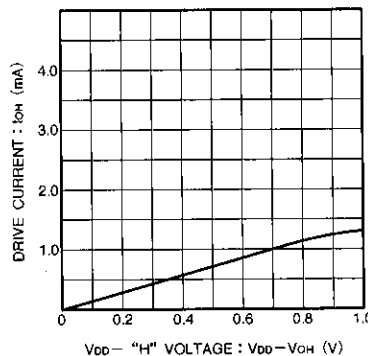


Fig. 8 CTLAMP output "H" voltage vs. drive current characteristics

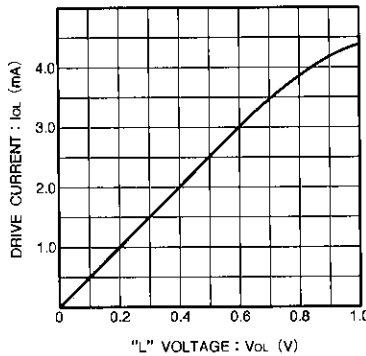
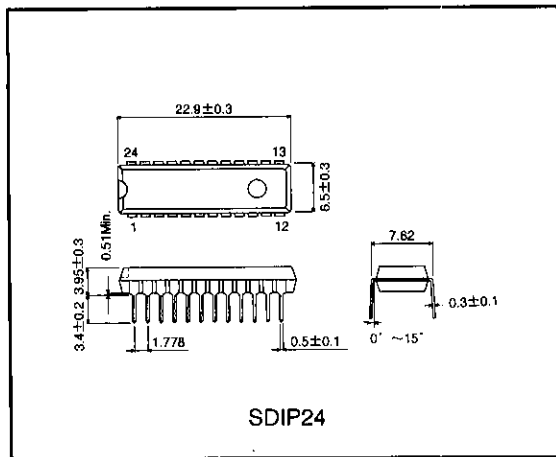


Fig. 9 CTLAMP output "L" voltage vs. drive current characteristics

●External dimensions (Units: mm)



Notes

- The contents described in this catalogue are correct as of March 1997.
- No unauthorized transmission or reproduction of this book, either in whole or in part, is permitted.
- The contents of this book are subject to change without notice. Always verify before use that the contents are the latest specifications. If, by any chance, a defect should arise in the equipment as a result of use without verification of the specifications, ROHM CO., LTD., can bear no responsibility whatsoever.
- Application circuit diagrams and circuit constants contained in this data book are shown as examples of standard use and operation. When designing for mass production, please pay careful attention to peripheral conditions.
- Any and all data, including, but not limited to application circuit diagrams, information, and various data, described in this catalogue are intended only as illustrations of such devices and not as the specifications for such devices. ROHM CO., LTD., disclaims any warranty that any use of such device shall be free from infringement of any third party's intellectual property rights or other proprietary rights, and further, assumes absolutely no liability in the event of any such infringement, or arising from or connected with or related to the use of such devices.
- Upon the sale of any such devices; other than for the buyer's right to use such devices itself, resell or otherwise dispose of the same; no express or implied right or license to practice or commercially exploit any intellectual property rights or other proprietary rights owned or controlled by ROHM CO., LTD., is granted to any such buyer.
- The products in this manual are manufactured with silicon as the main material.
- The products in this manual are not of radiation resistant design.

The products listed in this catalogue are designed to be used with ordinary electronic equipment or devices (such as audio-visual equipment, office-automation equipment, communications devices, electrical appliances, and electronic toys). Should you intend to use these products with equipment or devices which require an extremely high level of reliability and the malfunction of which would directly endanger human life (such as medical instruments, transportation equipment, aerospace machinery, nuclear-reactor controllers, fuel controllers, or other safety devices) please be sure to consult with our sales representative in advance.

- Note when exporting
 - It is essential to obtain export permission when exporting any of the above products when it falls under the category of strategic material (or labor) as determined by foreign exchange or foreign trade control laws.
 - Please be sure to consult with our sales representatives to ascertain whether any product is classified as a strategic material.