

Digital servo controller for VCR

BU2890 Series

The BU2890 is an LSI linear digital-servo controller that allows construction of a VCR servo system using one IC. The package is a SDIP 42 pin.

The circuit provides linear input signal wave-shaping, and has a servo function for output of the speed and phase control for the drum and capstan. In addition, it generates a quasi-V pulse for special playback, and has a recording mode auto-discrimination function, an FM audio head switch signal generator for Hi-Fi systems, and is compatible with VISS/VASS operation. It can also steplessly vary capstan speed during FF/REW. It also has a mixing amplifier and CTL amplifier for linear signal wave-shaping, so external linear circuits are not required.

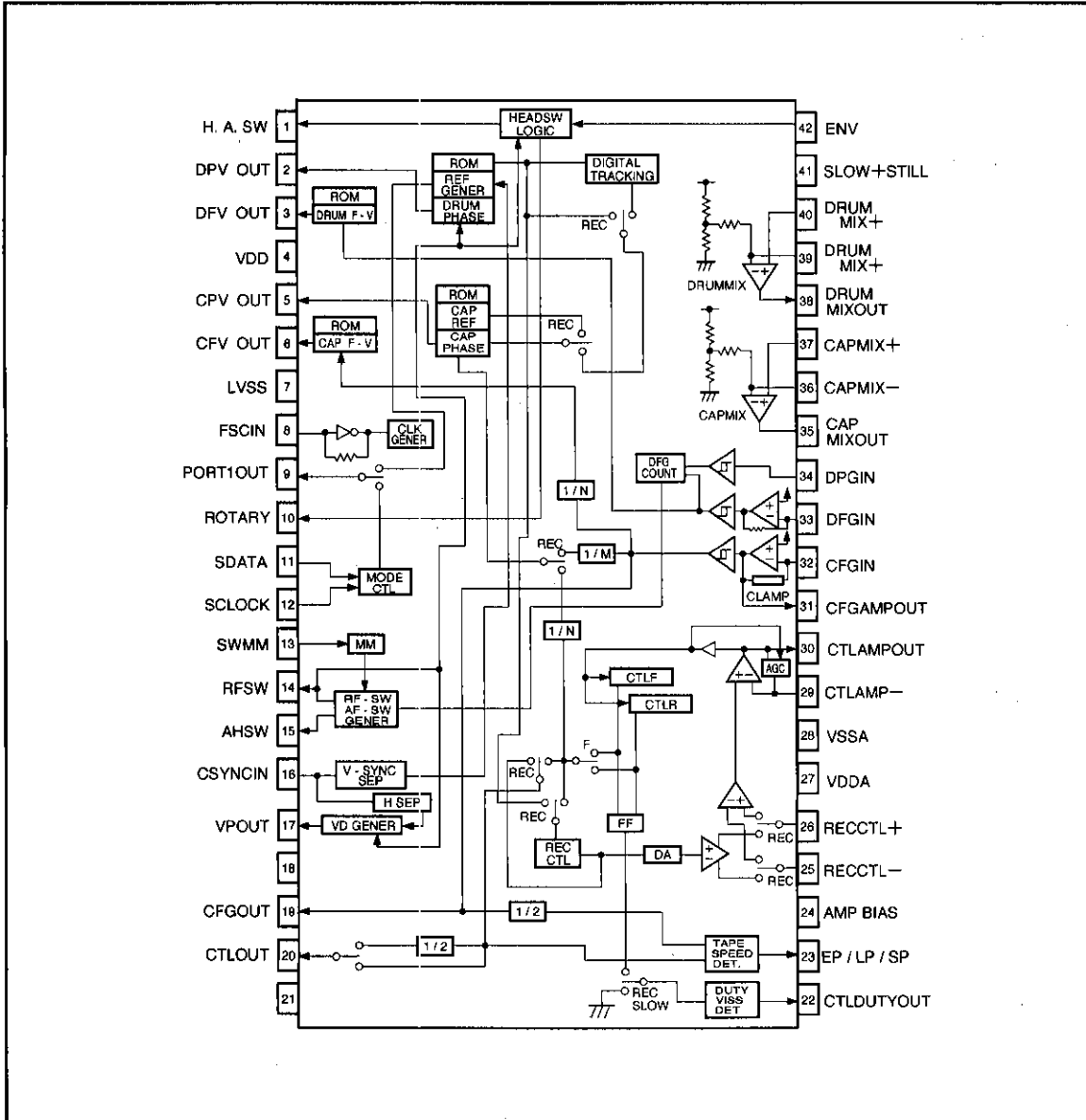
●Applications

VCRs

●Features

- 1) All VCR servo functions on a single chip.
- 2) Built-in CTL and mixing amplifiers with AGC.
- 3) Built-in wave-shaping circuit for the DFG, DPG and CFG signals.
- 4) Mode setting via two-line serial data transfer with parity checking.
- 5) Built-in digital gain-compensation circuit for the capstan system.
- 6) VISS/VASS compatible with CTL overwrite for playback and VISS code discrimination.
- 7) Microprocessor control for stepless capstan speed control during FF and REW.
- 8) Special constant-voltage diode for playback head switching logic.

● Block diagram



● Pin descriptions

Pin No.	Pin name	Function
1	H. A. SW	Head amplifier switch output
2	DPVOUT	Drum phase error PWM output
3	DFVOUT	Drum speed error PWM output
4	VDD	Logic power supply
5	CPVOUT	Capstan phase error PWM output
6	CFVOUT	Capstan speed error PWM output
7	VSS	Logic ground
8	FSCIN	fsc input
9	PORT1OUT	Serial port 1 output
10	ROTARY	Chroma rotary output
11	SDATA	Serial data input
12	SCLOCK	Serial clock input
13	SWMM	SW monostable multivibrator
14	RFSW	Video head switch output
15	AHSW	Audio head switch output
16	CSYNCIN	Composite synchronization input
17	VPOUT	Quasi-Vpulse output
18		Optional pin
19	CFGOUT	CFG wave shaping output
20	CTLOUT	CTL wave shaping output
21		Optional pin
22	CTLDUTYOUT	CTL duty discriminant output/VISS discriminant output
23	EP / LP / SP	Tape speed discriminator output
24	AMPBIAS	Amplifier bias voltage output
25	RECCTL-	CTL coil (-)
26	RECCTL+	CTL coil (+)
27	VDDA	Analog power supply
28	VSSA	Analog ground
29	CTLAMP-	CTL amplifier (-) input
30	CTLAMPOUT	CTL amplifier output
31	CFGAMPOUT	CFG amplifier output
32	CFGIN	CFG amplifier input
33	DFGIN	DFG amplifier input
34	DPGIN	DPG amplifier input
35	CAPMIXOUT	Capstan MIX amplifier output
36	CAPMIX-	Capstan MIX amplifier (-) input
37	CAPMIX+	Capstan MIX amplifier (+) input
38	DRUMMIXOUT	Drum MIX amplifier output
39	DRUMMIX-	Drum MIX amplifier (-) input
40	DRUMMIX+	Drum MIX amplifier (+) input
41	SLOW+STILL	Slow/still input
42	ENV	Envelope detector input

Digital servos

VCR components

● Recommended operating conditions (Ta=25°C)

Parameter	Symbol	Limits	Unit
Power supply voltage	V _{DD}	4.5~5.5	V

● Absolute maximum ratings (Ta=25°C)

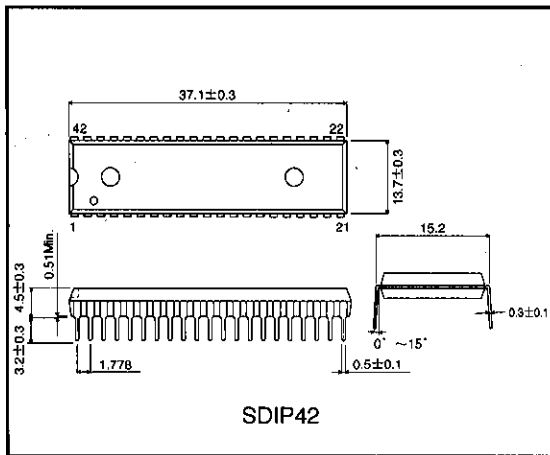
Parameter	Symbol	Limits	Unit
Power supply voltage	V _{DD}	7	V
Power dissipation	P _d	500*	mW
Operating temperature	T _{opr}	-15~70	°C
Storage temperature	T _{stg}	-55~125	°C
Input voltage	V _{IN}	V _{SS} -0.3~V _{DD} +0.3	V

* Reduced by 5mW for each increase in Ta of 1°C over 25°C.

● Electrical characteristics (Unless otherwise specified: Ta=25°C and V_{DD}=5V)

Parameter	Symbol	Min.	Typ.	Max.	Unit	Conditions
Circuit current	I _{DD}	17	33	60	mA	
Logic "H" output voltage	V _H	4.0	4.7	—	V	I _{LOAD} =-1.0mA
Logic "L" output voltage	V _L	—	0.2	0.5	V	I _{LOAD} =1.0mA
Logic input threshold voltage	V _{TH}	1.5	—	3.5	V	
3-value input H/M threshold voltage	V _{TH1}	2.85	3.30	4.00	V	
3-value input M/L threshold voltage	V _{TH2}	0.80	1.25	1.75	V	
fsc input level	V _{fsc}	0.2	—	3.0	V _{pp}	AC coupling
Monostable multivibrator comparator level	V _{THM}	2.15	2.40	2.65	V	
RECCTL "H" output voltage	V _{CTH}	2.9	3.2	—	V	I _L =-3.0mA
RECCTL "L" output voltage	V _{CTL}	—	0.3	0.5	V	I _L =3.0mA
DFG input sensitivity	V _{DFG}	0.1	0.2	0.4	mV _{pp}	
DPG input sensitivity	V _{DPG}	30	50	70	mV _{op}	
CFG amplifier open-loop gain	G _{CFG}	70	—	—	dB	
CFG input threshold	V _{TCF}	±120	±150	±180	mV _{pp}	
MIX amplifier open-loop gain	G _{MIX}	60	—	—	dB	
MIX amplifier "H" output voltage	V _{OH}	4.2	4.7	—	V	I _{LOAD} =-5.0mA
MIX amplifier "L" output voltage	V _{OL}	—	0.4	0.6	V	I _{LOAD} =5.0mA
MIX amplifier bias voltage	V _{BMI}	2.4	2.5	2.6	V	

● External dimensions (Units: mm)



Digital servos

VCR components

Notes

- The contents described in this catalogue are correct as of March 1997.
- No unauthorized transmission or reproduction of this book, either in whole or in part, is permitted.
- The contents of this book are subject to change without notice. Always verify before use that the contents are the latest specifications. If, by any chance, a defect should arise in the equipment as a result of use without verification of the specifications, ROHM CO., LTD., can bear no responsibility whatsoever.
- Application circuit diagrams and circuit constants contained in this data book are shown as examples of standard use and operation. When designing for mass production, please pay careful attention to peripheral conditions.
- Any and all data, including, but not limited to application circuit diagrams, information, and various data, described in this catalogue are intended only as illustrations of such devices and not as the specifications for such devices. ROHM CO., LTD., disclaims any warranty that any use of such device shall be free from infringement of any third party's intellectual property rights or other proprietary rights, and further, assumes absolutely no liability in the event of any such infringement, or arising from or connected with or related to the use of such devices.
- Upon the sale of any such devices; other than for the buyer's right to use such devices itself, resell or otherwise dispose of the same; no express or implied right or license to practice or commercially exploit any intellectual property rights or other proprietary rights owned or controlled by ROHM CO., LTD., is granted to any such buyer.
- The products in this manual are manufactured with silicon as the main material.
- The products in this manual are not of radiation resistant design.

The products listed in this catalogue are designed to be used with ordinary electronic equipment or devices (such as audio-visual equipment, office-automation equipment, communications devices, electrical appliances, and electronic toys). Should you intend to use these products with equipment or devices which require an extremely high level of reliability and the malfunction of which would directly endanger human life (such as medical instruments, transportation equipment, aerospace machinery, nuclear-reactor controllers, fuel controllers, or other safety devices) please be sure to consult with our sales representative in advance.

- Note when exporting
 - It is essential to obtain export permission when exporting any of the above products when it falls under the category of strategic material (or labor) as determined by foreign exchange or foreign trade control laws.
 - Please be sure to consult with our sales representatives to ascertain whether any product is classified as a strategic material.