

DTMF receiver for telephones

BU8871F

The BU8871F is a DTMF receiver ICs developed for use in telephone answering machines, and converts 16 different types of DTMF signals into 4-bit binary serial data. It features a wide dynamic range, eliminating the need for an external input amplifier. Expertise from a number of companies has been incorporated into these products to enable guard time control through a host microcomputer.

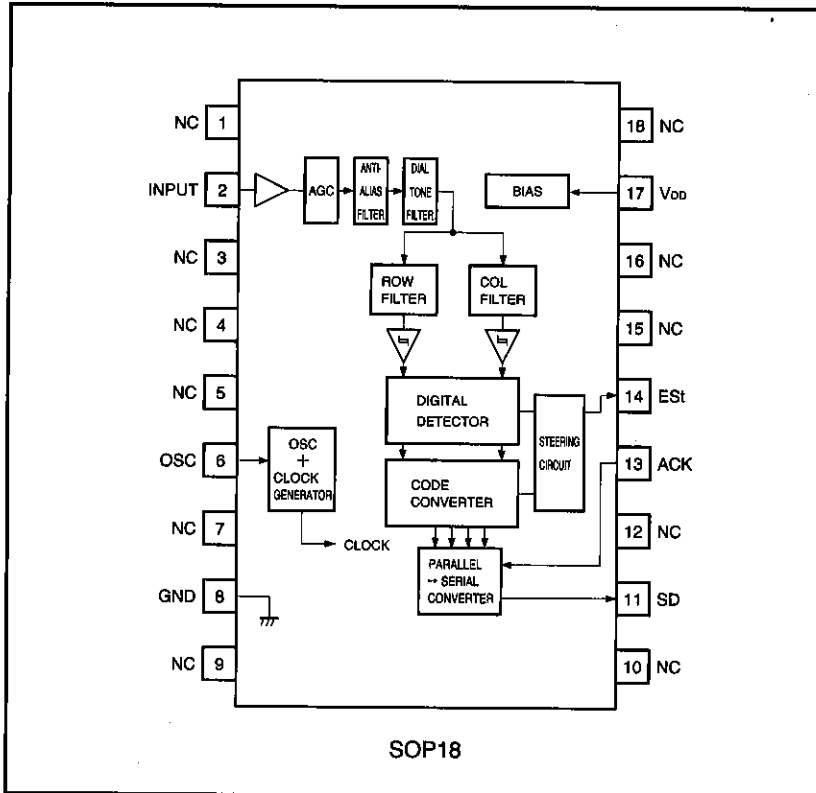
●Applications

Telephone answering machines

●Features

- 1) Dynamic range of 45dB. (internal AGC)
- 2) 4-bit binary serial data output.
- 3) Guard time can be controlled through host micro-computer.
- 4) Input pins equipped with hysteresis. (ACK pin)
- 5) 4.19MHz crystal resonator can be used.

●Block diagram

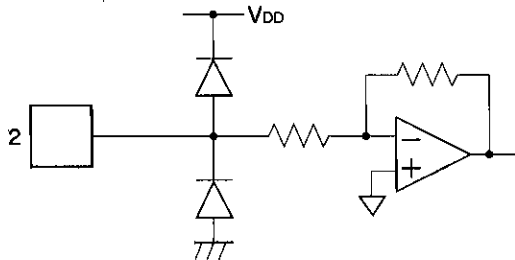


● Pin description

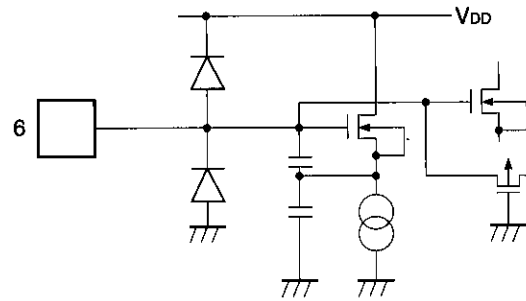
Pin No. BU8871F	Pin Name	Function
2	INPUT	This is the audio signal input pin, and should be AC coupled.
6	OSC	This is the input pin for the internal oscillator. Connect a 4.194304 MHz crystal resonator between this pin and GND, or use input from an external oscillator.
8	GND	This is the ground pin.
11	SD	This is the serial data output pin. If a series of pulses is input to the ACK pin while the EST pin is HIGH, the SD output pin outputs a 4-bit binary code corresponding to the DTMF signal shown in Table 1.
13	ACK	This is the acknowledgement pulse input pin. It is equipped with hysteresis. After the EST pin goes HIGH, the four consecutive pulses input to the ACK pin cause the 4-bit data corresponding to the DTMF signal of the SD pin output to be output. The rising edge of the first pulse is latched before the data is shifted.
14	Est	This is the steering signal output pin. When there is a valid DTMF signal, this pin goes HIGH.
17	V _{DD}	This is the power supply pin.
1, 3, 4, 5, 7 9, 10, 12 15, 16, 18	NC	This is the NC pin. It is not connected inside the IC.

● Input/output circuits

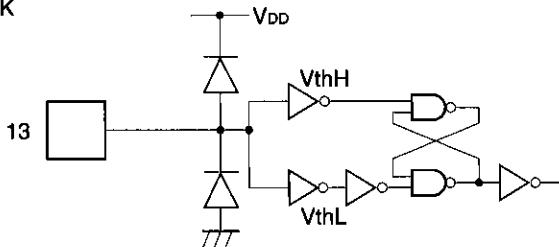
INPUT



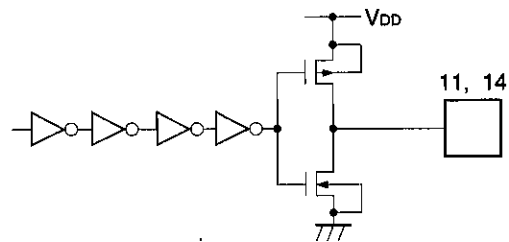
OSC



ACK



SD
Est



DTMF receiver
Telephones

● Absolute maximum ratings (Ta=25°C)

Parameter	Symbol	Limits	Unit
Power supply voltage	V _{DD}	7	V
Input voltage	V _{IN}	GND-0.3~V _{DD} +0.3	V
Output voltage	V _{OUT}	GND-0.3~V _{DD} +0.3	V
Power dissipation	P _d	550 *1	mW
Operating temperature	T _{opr}	-10~70	°C
Storage temperature	T _{stg}	-55~125	°C

*1 Reduced by 5.5 mW for each increase in Ta of 1°C over 25°C.

● Recommended operating conditions (Ta=25°C)

Parameter	Symbol	Range	Unit
Power supply voltage	V _{DD}	4.75~5.25	V
Oscillation frequency	f _{osc}	4.194304	MHz
Oscillation frequency deviation	Δf _{osc}	-0.1~0.1	%

● Electrical characteristics

DC characteristics (Unless otherwise noted, Ta=25°C, V_{DD}=5.0V)

Parameter	Symbol	Min.	Typ.	Max.	Unit	Conditions	Measurement Circuit
Supply current	I _{DD}	1.0	2.2	3.4	mA		Fig.1
"H" input voltage	V _{IH}	V _{DD} -0.8	—	V _{DD}	V	ACK pin	Fig.1
"L" input voltage	V _{IL}	GND	—	GND+0.8	V	ACK pin	Fig.1
"H" input current	I _{IH}	—	0.1	1.0	μA	ACK pin	Fig.1
"L" input current	I _{IL}	—	0.1	1.0	μA	ACK pin	Fig.1
Pin 1 input impedance	Z _{IN}	10	30	50	kΩ	v _{in} =0dBm, fin=1kHz	Fig.1
"H" output saturation voltage	V _{OH}	4.6	—	—	V	I _{OH} =0.4mA *2	Fig.1
"L" output saturation voltage	V _{OL}	—	—	0.4	V	I _{OL} =1mA *2	Fig.1

AC characteristics (Unless otherwise noted, Ta=25°C, V_{DD}=5.0V)

Parameter	Symbol	Min.	Typ.	Max.	Unit	Conditions	v _{in} (dBm)	Measurement Circuit	
Valid input level range	VIV	-42	—	3	dBm	*3, 4, 5	—	Fig. 2	
Dual tone level difference	Positive	VTWP	—	—	6	dB	*4	-15	Fig. 2
	Negative	VTWN	—	—	6	dB	*4	-15	Fig. 2
Frequency detection range	BWA	±1.5%±2Hz	—	—	—	*5	-27	Fig. 2	
Frequency rejection range	BWR	—	—	±4	%	*5	-27	Fig. 2	
Third tone tolerance range	TTT	—	—	-16	dB	*5, 6	-27	Fig. 2	
Noise tolerance range	TN	—	-12	—	dB		-27	Fig. 2	
Dial tone tolerance range	TDT	—	14	7	dB	*7	-27	Fig. 2	
Signal presence detection time	tDP	5	12	20	mS		-27	Fig. 2	
Signal absence detection time	tDA	0.5	5	15	mS		-27	Fig.2	
Data shift rate	fDS	—	—	1	MHz	ACK Duty 40%~60%	—	Fig. 2	
Output delay	tPAD	—	70	150	nS	ACK→SD	—	Fig. 2	
Setup time	tDL	0	—	—	nS		—	Fig. 2	
Hold time	tDH	30	60	—	nS		—	Fig. 2	

*3 Applies to ESt pin and SD pin.

*4 A DTMF signal is Input, and the voltage level of the single tone component is set as VIV.

*5 Specified for a DTMF signal with a frequency deviation at the maximum standard frequency ± 0.73%

*6 No difference in level between the two tones

*7 Composite signal consisting of DTMF signals and the third harmonics of each input

*8 Specified for signals of 350 Hz and 440 Hz (±2%)

© This product is not designed to withstand radiation.

DTMF receiver

Telephones

● Measurement circuits

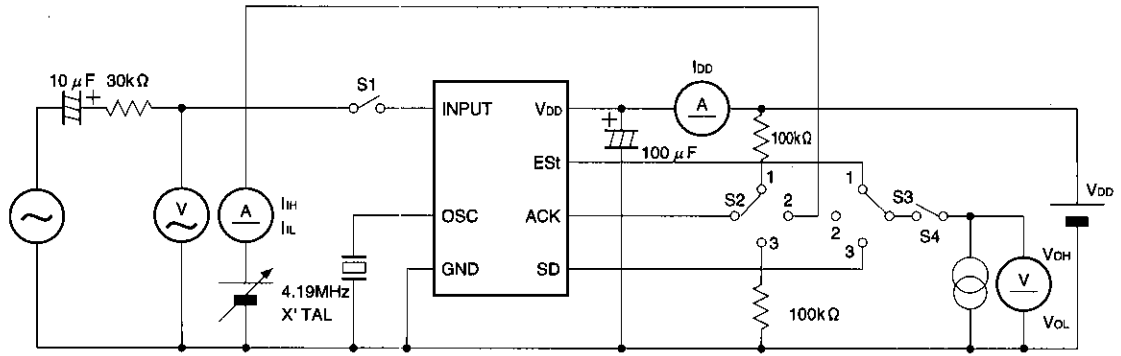


Fig. 1 DC characteristics measurement circuit

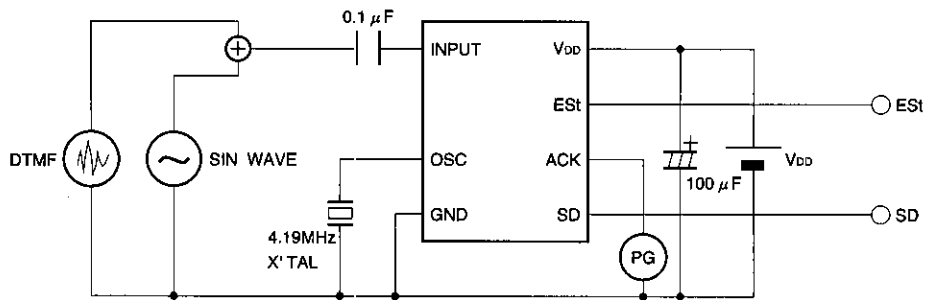


Fig. 2 AC characteristics measurement circuit

● Circuit operation

1) An overview of operation

A DTMF signal is supplied to the INPUT pin and applied to a pair of 6th-order bandpass filters, which separate the DTMF signal into its high (COL) and low (ROW) frequencies. The separated tones are converted into square waves and fed to a digital detector. (See the block diagram.)

The digital detector checks the two tones to see if they are within the valid DTMF frequency bands. If they are, it sends a DETECT signal to the steering circuit, and sends the appropriate column and row address signals to a code converter.

The code converter encodes the received and detected DTMF signal, and outputs an ENABLE signal to the steering circuit.

Based on the DETECT and ENABLE signals, the steering circuit outputs an Early Steering (ES_t) signal, which sets the ES_t pin to HIGH, indicating that a valid DTMF signal has been detected.

If a series of pulses is input at the ACK pin while ES_t is HIGH, a decoded DTMF signal is output to the SD pin as a binary code. (See Figure 3 for the overall timing.)

If a pulse sequence is input at the ACK pin, the data is latched at the rising edge of the first pulse by a parallel-serial converter, and at the same time, the LSB is output from the SD pin. Following this, three bits of data are output from the SD pin for each bit of each pulse in the pulse sequence input from the ACK pin. As a result, a total of four bits of data are output for the four pulses. (See Figure 4 for the ACK and SD timing.)

If the pulse sequence input to the ACK pin consists of three or fewer pulses, the next DTMF input cannot be decoded properly. Any ACK pulses in excess of four are ignored until ES_t goes HIGH again.

Table 1 shows the format of serial data output from the SD pin.

2) Overall timing chart

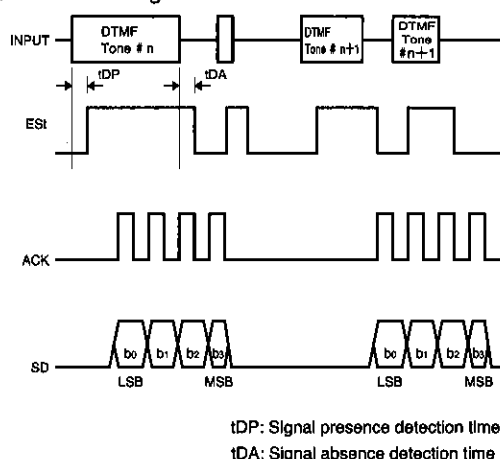


Fig. 3 Overall timing chart

3) ACK and SD timing

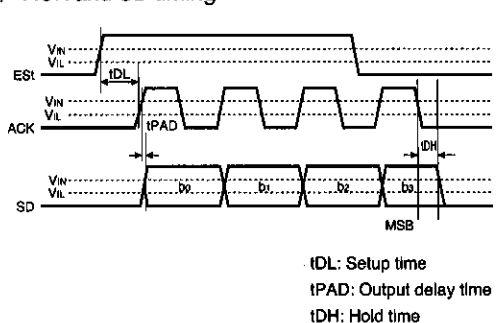


Fig. 4 ACK and SD timing

DTMF receiver
Telephones

●Circuit operation

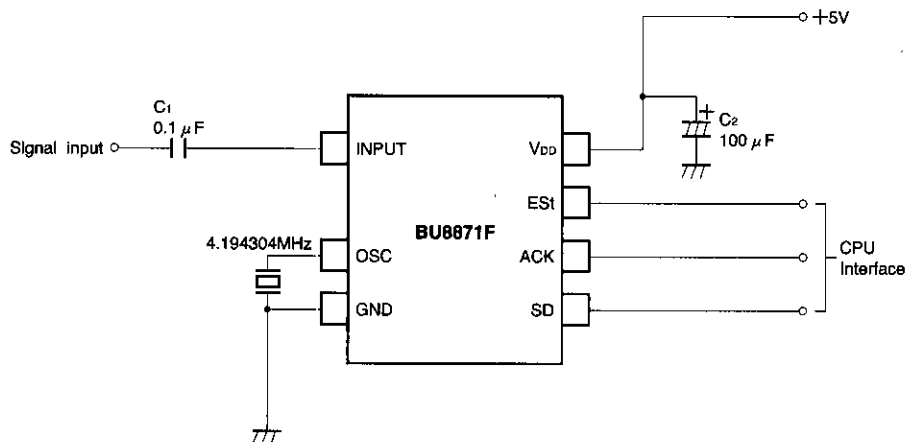
4) Serial data correspondence table

Table 1. Serial data correspondence table

ROW [Hz]	COL [Hz]	No.	b ₃ (MSB)	b ₂	b ₁	b ₀ (LSB)
697	1209	1	0	0	0	1
697	1336	2	0	0	1	0
697	1477	3	0	0	1	1
770	1209	4	0	1	0	0
770	1336	5	0	1	0	1
770	1477	6	0	1	1	0
852	1209	7	0	1	1	1
852	1336	8	1	0	0	0
852	1477	9	1	0	0	1
941	1336	0	1	0	1	0
941	1209	*	1	0	1	1
941	1477	#	1	1	0	0
697	1633	A	1	1	0	1
770	1633	B	1	1	1	0
852	1633	C	1	1	1	1
941	1633	D	0	0	0	0

0="L" level ,1="H" level

●Application example



● Selecting attachment components

1) Power supply components

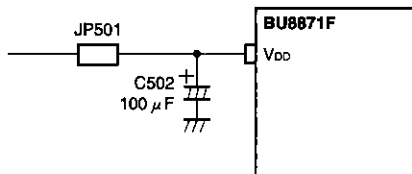


Fig. 5 Power supply circuit

C502 : This is the V_{DD} bypass capacitor, and is normally 100 μF. The maximum recommended operating power supply voltage is 5.25V, so a voltage withstand value of 6.3V is sufficient.

JP501 : This is normally shorted. To test the current consumption of the IC, insert a DC ammeter in place of JP501.

2) Oscillation components

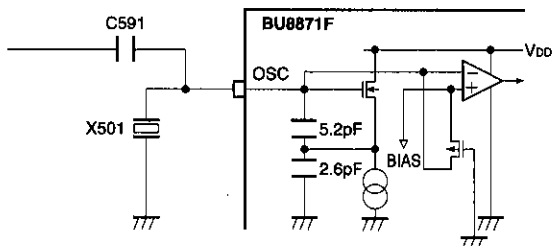


Fig. 6 Oscillation circuit

X501 : Use a crystal or ceramic resonator with an oscillation frequency of 4.194304MHz. If using a ceramic resonator, there may be problems with the precision of the oscillation frequency, so please consult the manufacturer of the resonator to make sure problems will not occur.

C591 : If you are using the X501 dedicated resonator designed for DTMF receivers, capacitor C591 should be left open.

If you are injecting an external clock, X501 should be omitted and DC blocking capacitor C591 used in its place. Typically, this capacitor should be 47nF.

3) DTMF input

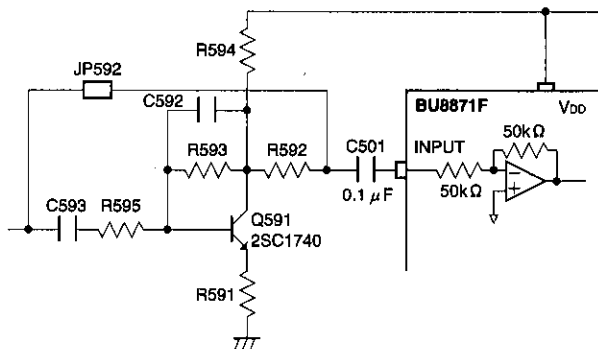


Fig. 7 DTMF input circuit

C501 : This is the DC blocking capacitor. Select a capacitor that will pass DTMF signals (greater than 697Hz) without significantly attenuating the signals.

JP592 : If DTMF signals are being input directly, both ends should be shorted.

Q591
R591 ~ R595 } Use these to increase the sensitivity of the DTMF receiver.
C592, C593

DTMF receiver

Telephones

●Selecting attachment components

4) ESt output

The ESt guard time is determined by the CPU of the host computer, but to reduce the load on the host computer, the guard time can be set using an external circuit, as shown below.

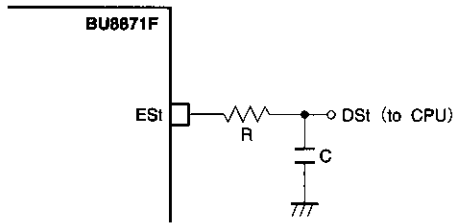


Fig. 8 Guard time setting circuit

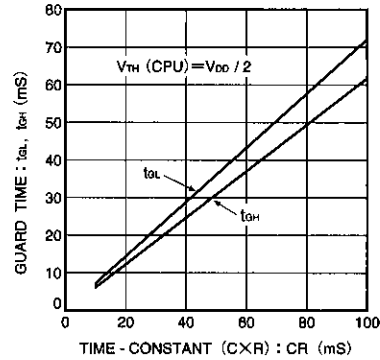


Fig. 9 Guard time vs. time constant (C × R)

The relation between a momentary falter in the ESt guard time (t_{OL}), a momentary HIGH level in the ESt guard time (t_{OH}), and the time constant is shown below. Figure 10 shows a timing diagram for guard times.

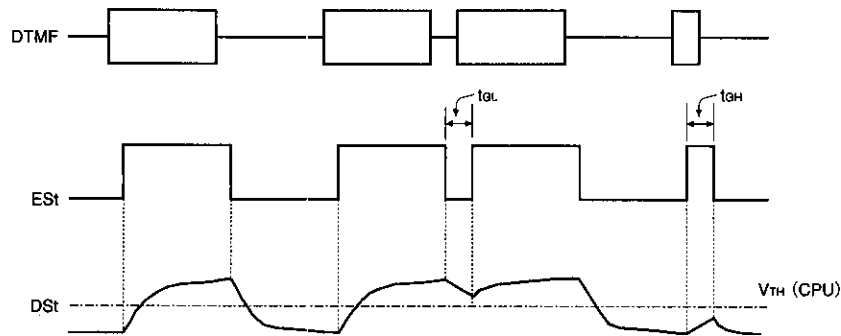


Fig. 10 Timing indicating guard times

●Operation notes

• Oscillation

Oscillation frequency precision can be a problem with ceramic resonators. Before including a ceramic resonator in your design, please consult the resonator manufacturer to make sure this will not be a problem.

Also, if an external clock is being injected, a DC blocking capacitor must be inserted. Select a capacitor that will neither attenuate the frequency components or put an excessive load on the drive side.

●Electrical characteristic curves

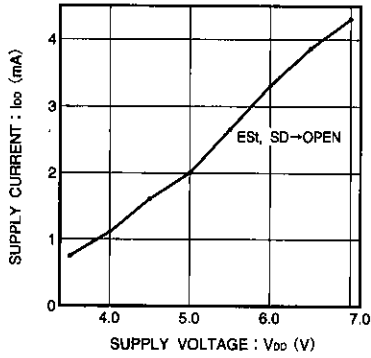


Fig. 11 Supply current vs. supply voltage characteristic

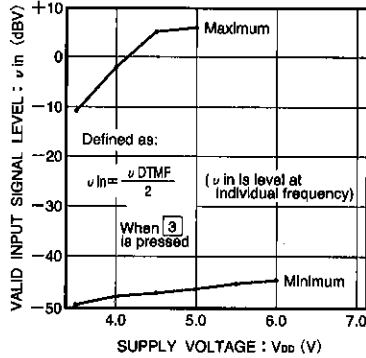


Fig. 12 Valid input level range vs. supply voltage characteristic

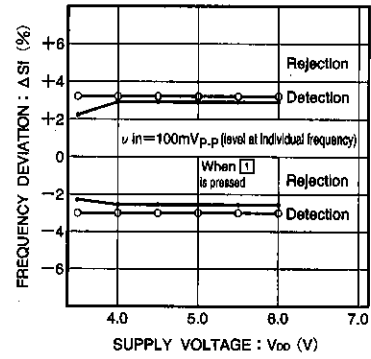


Fig. 13 Frequency detection/rejection ranges vs. supply voltage characteristic

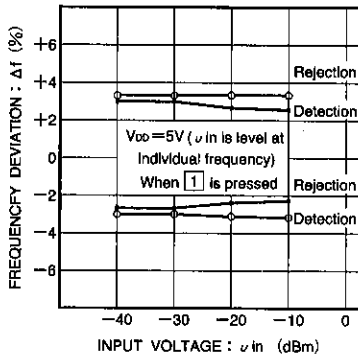


Fig. 14 Frequency detection/rejection ranges vs. input voltage characteristic

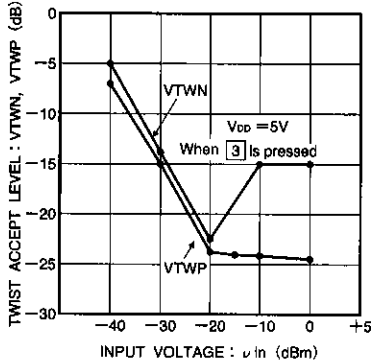


Fig. 15 2-frequency level vs. input voltage characteristic

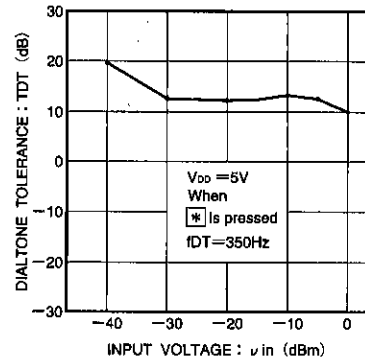


Fig. 16 Dial tone tolerance range vs. input voltage characteristic

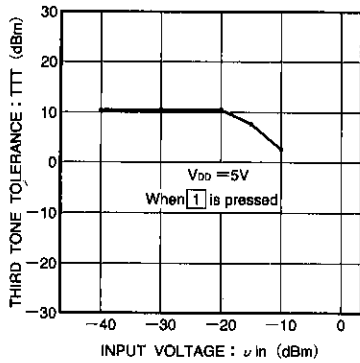


Fig. 17 Third tone tolerance range vs. input voltage characteristic

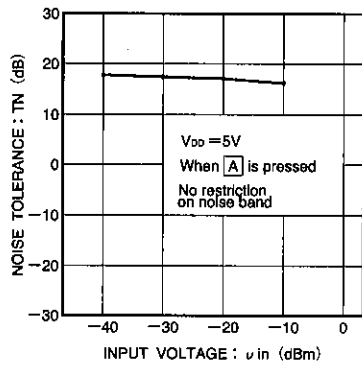


Fig. 18 Noise tolerance range vs. input voltage characteristic

DTMF receiver

Telephones

Notes

- The contents described in this catalogue are correct as of March 1997.
- No unauthorized transmission or reproduction of this book, either in whole or in part, is permitted.
- The contents of this book are subject to change without notice. Always verify before use that the contents are the latest specifications. If, by any chance, a defect should arise in the equipment as a result of use without verification of the specifications, ROHM CO., LTD., can bear no responsibility whatsoever.
- Application circuit diagrams and circuit constants contained in this data book are shown as examples of standard use and operation. When designing for mass production, please pay careful attention to peripheral conditions.
- Any and all data, including, but not limited to application circuit diagrams, information, and various data, described in this catalogue are intended only as illustrations of such devices and not as the specifications for such devices. ROHM CO., LTD., disclaims any warranty that any use of such device shall be free from infringement of any third party's intellectual property rights or other proprietary rights, and further, assumes absolutely no liability in the event of any such infringement, or arising from or connected with or related to the use of such devices.
- Upon the sale of any such devices; other than for the buyer's right to use such devices itself, resell or otherwise dispose of the same; no express or implied right or license to practice or commercially exploit any intellectual property rights or other proprietary rights owned or controlled by ROHM CO., LTD., is granted to any such buyer.
- The products in this manual are manufactured with silicon as the main material.
- The products in this manual are not of radiation resistant design.

The products listed in this catalogue are designed to be used with ordinary electronic equipment or devices (such as audio-visual equipment, office-automation equipment, communications devices, electrical appliances, and electronic toys). Should you intend to use these products with equipment or devices which require an extremely high level of reliability and the malfunction of which would directly endanger human life (such as medical instruments, transportation equipment, aerospace machinery, nuclear-reactor controllers, fuel controllers, or other safety devices) please be sure to consult with our sales representatives in advance.

- Notes when exporting
 - It is essential to obtain export permission when exporting any of the above products when it falls under the category of strategic material (or labor) as determined by foreign exchange or foreign trade control laws.
 - Please be sure to consult with our sales representatives to ascertain whether any product is classified as a strategic material.