

# Audio Digital Key Controller

## BU9260FS

The BU9260FS is designed for key control, an essential feature for karaoke systems.

### ●Applications

Mini-component stereos, radio cassette recorders, karaoke and other audio devices

### ●Features

- 1) Internal I/O filter and mixing operational amplifier
- 2) Internal ADC and DAC.
- 3) 16 kbit of internal RAM.
- 4) Controls serial data.

### ●Absolute maximum ratings (Ta=25°C)

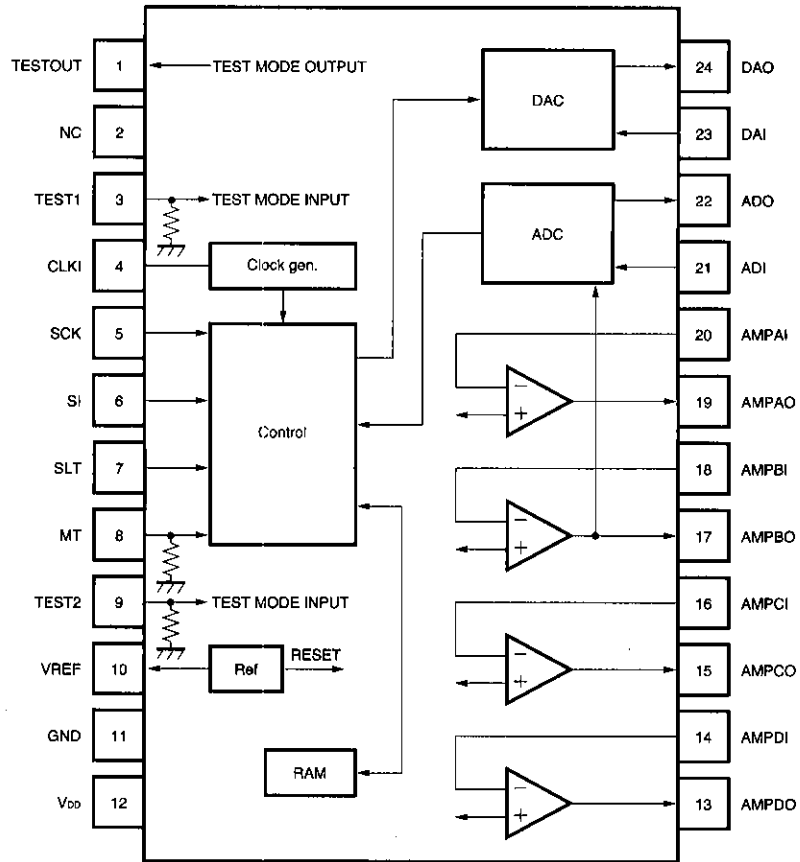
Parameter	Symbol	Limits	Unit
Power supply voltage	V <sub>DD</sub>	-0.3~7.0	V
Input voltage	V <sub>IN</sub>	GND-0.3~V <sub>DD</sub> +0.3	V
Power dissipation	P <sub>d</sub>	650	mW
Storage temperature	T <sub>stg</sub>	-55~125	°C

\* Reduced by 6.5 mW for each increase in Ta of 1°C over 25°C.

### ●Recommended operating conditions (Ta=25°C)

Parameter	Symbol	Limits	Unit
Operating temperature	T <sub>opr</sub>	-10~70	°C
Power supply voltage	V <sub>DD</sub>	4.5~5.5	V

● Block diagram



## ● Pin descriptions

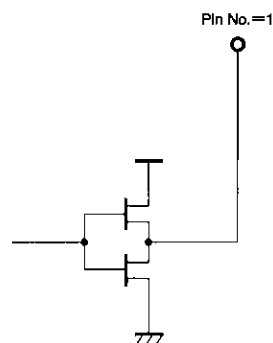
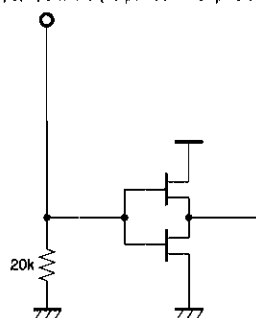
Pin No.	Pin name	Function	Type
1	TESTOUT	Low-level test output	LO
2	NC	No connected	—
3	TEST1	Test input (the low level is normally input)	LIP
4	CLKI	Connecting the clock resistor	CLK
5	SCK	Serial clock input	LI
6	SI	Serial data input	LI
7	SLT	Serial latch input	LI
8	MT	Input of output control muting	LIP
9	TEST2	Test input (the low level is normally input)	LIP
10	VREF	Analog reference voltage	VRO
11	GND	Ground	—
12	V <sub>DD</sub>	Power supply	—
13	AMPDO	Operational amplifier input/output	AO
14	AMPDI		AI
15	AMP <sub>CO</sub>	Operational amplifier input/output	AO
16	AMP <sub>CI</sub>		AI
17	AMP <sub>BO</sub>	Operational amplifier input/output	AO
18	AMP <sub>BI</sub>		AI
19	AMP <sub>AO</sub>	Operational amplifier input/output	AO
20	AMP <sub>AI</sub>		AI
21	ADI	Connecting the ADC capacitor	ADMI
22	ADO		ADMO
23	DAI	Connecting the DAC capacitor	ADMI
24	DAO		ADMO

## ● Input/output circuit

## Pin types

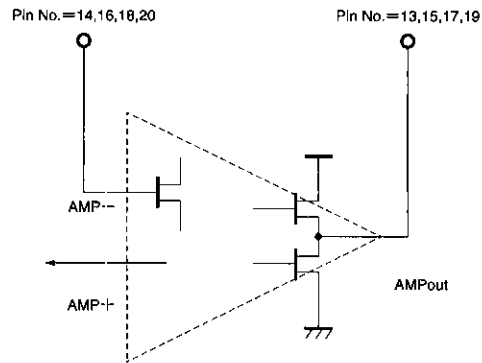
Type : Logic input and output (LI, LO and LIP — LIP has pull-down)

Pins 3, 5, 6, 7, 8 and 9 (no pull-down for pins 5, 6 or 7)

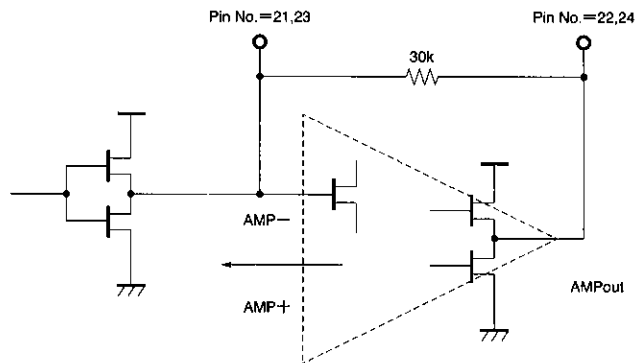


● Input/output circuit

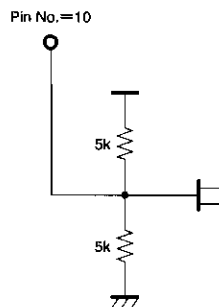
Type : Amplifier input and output (AI and AO)



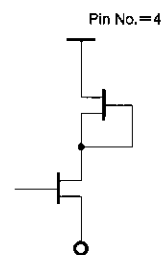
Type : ADM input and output (ADMI and ADMO)



Type : Reference voltage pin (VRO)



Type : Clock pin (CLK)



●Electrical characteristics (unless otherwise noted, Ta=25°C, VDD=5V, fIN=1kHz, f+0 mode, VIN=100mVrms)

Parameter	Symbol	Min.	Typ.	Max.	Unit	Conditions
Circuit current	I <sub>DD</sub>	—	7	14	mA	No signal
<Linear>						
Input/output gain	GV	-3	0	+3	dB	
Output distortion	THD	—	1.3	3.0	%	30kHz-LPF
Output noise voltage	No	—	-80	-65	dBV	DIN-Audio
Maximum output voltage	V <sub>Max.</sub>	0.7	1.5	—	Vrms	THD=10%, LPF gain=1
<Logic>						
Input voltage, High level	V <sub>IH</sub>	3.8	—	—	V	
Input voltage, Low level	V <sub>IL</sub>	—	—	1.2	V	
Pull-down resistance	R <sub>d</sub>	12	25	50	kΩ	V <sub>IN</sub> =5V
<Serial data>						
Clock amplitude	tw <sub>CK</sub>	2.0	—	—	μS	
Latch amplitude	tw <sub>LT</sub>	2.0	—	—	μS	
Data setup	td <sub>su</sub>	1.0	—	—	μS	
Data hold	th	1.0	—	—	μS	
Latch setup	tl <sub>su</sub>	1.0	—	—	μS	

●Application circuit

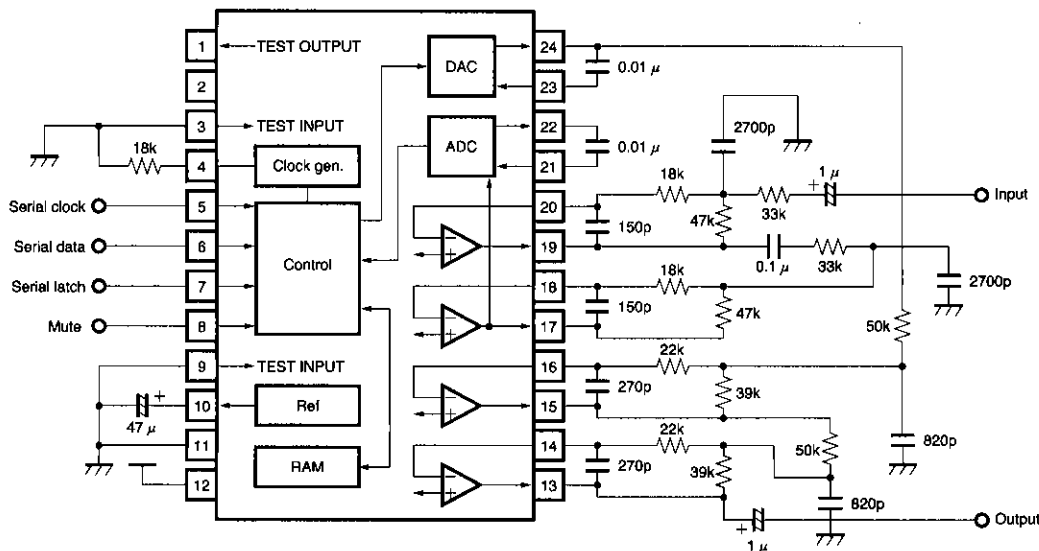


Fig. 1

● Operation notes

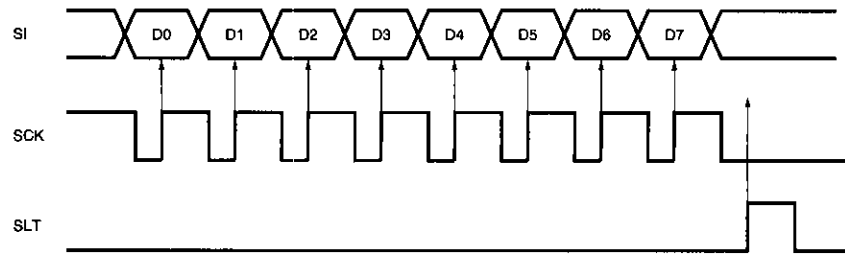
Operating mode

(1) Serial data mode

Function : Setting the key according to SCK, SI and SLT

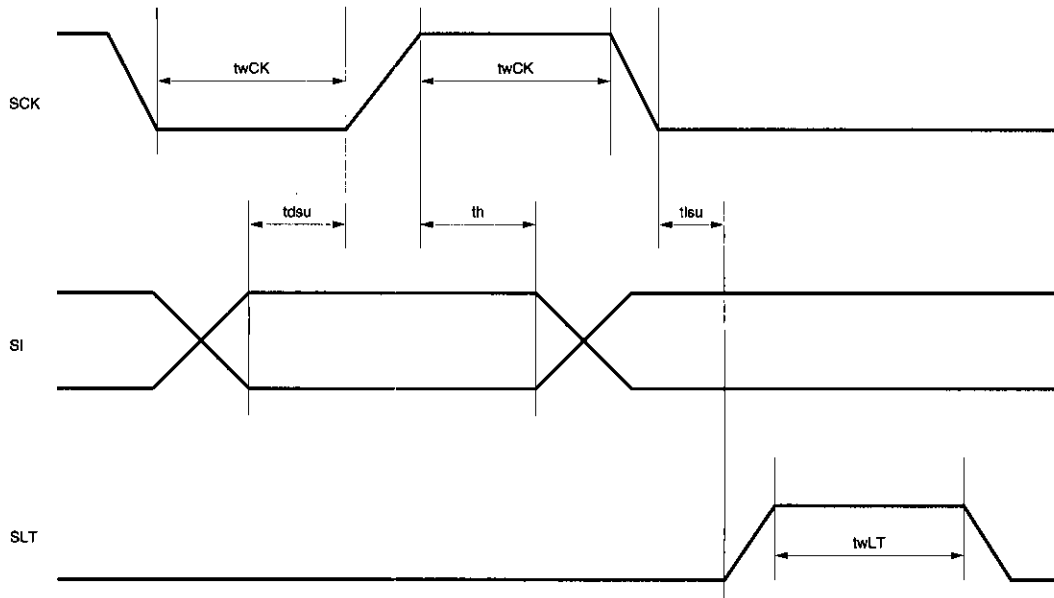
1) Serial data

The signal value is input with the rise of SCK. Input data are latched with the fall of SLT. However, data are canceled unless D6 = high and D7 = low.



2) Serial timing

For standard values, refer to "Electrical Characteristics."



## 3) Serial data

Key setting	D4	D3	D2	D1	D0
+8	H	H	L	L	L
+7	H	L	H	H	H
+6	H	L	H	H	L
+5	H	L	H	L	H
+4	H	L	H	L	L
+3	H	L	L	H	H
+2	H	L	L	H	L
+1	H	L	L	L	H
0	H	L	L	L	L
-1	L	H	H	H	H
-2	L	H	H	H	L
-3	L	H	H	L	H
-4	L	H	H	L	L
-5	L	H	L	H	H
-6	L	H	L	H	L
-7	L	H	L	L	H
-8	L	H	L	L	L

D5	Output mute control
L	Output is not muted. When MT = high, output is forcibly muted.
H	Output is muted.

D6	D7	Data latch control
H	L	Data is latched with the rise of SLT.
Other than above		Data is not latched, even with the rise of SLT.

## Output mute control

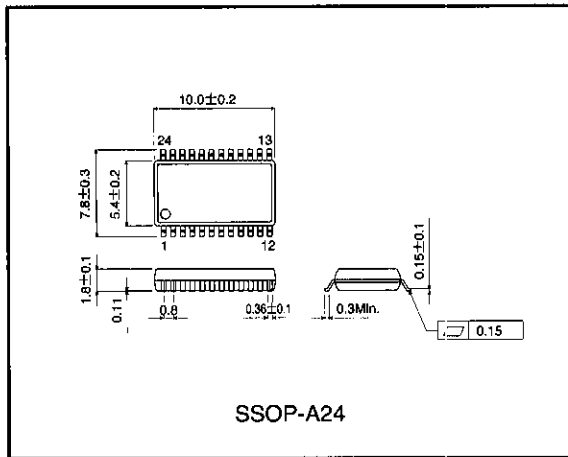
Output can be forcibly muted according to MT.

MT	Output mute
L	Output is not muted. However, output is muted when muting is activated by the serial data.
H	Output is muted.

KARAOKE echo systems

KARAOKE and surround sound

● External dimensions (Units: mm)





## Notes

- The contents described in this catalogue are correct as of March 1997.
- No unauthorized transmission or reproduction of this book, either in whole or in part, is permitted.
- The contents of this book are subject to change without notice. Always verify before use that the contents are the latest specifications. If, by any chance, a defect should arise in the equipment as a result of use without verification of the specifications, ROHM CO., LTD., can bear no responsibility whatsoever.
- Application circuit diagrams and circuit constants contained in this data book are shown as examples of standard use and operation. When designing for mass production, please pay careful attention to peripheral conditions.
- Any and all data, including, but not limited to application circuit diagrams, information, and various data, described in this catalogue are intended only as illustrations of such devices and not as the specifications for such devices. ROHM CO., LTD., disclaims any warranty that any use of such device shall be free from infringement of any third party's intellectual property rights or other proprietary rights, and further, assumes absolutely no liability in the event of any such infringement, or arising from or connected with or related to the use of such devices.
- Upon the sale of any such devices; other than for the buyer's right to use such devices itself, resell or otherwise dispose of the same; no express or implied right or license to practice or commercially exploit any intellectual property rights or other proprietary rights owned or controlled by ROHM CO., LTD., is granted to any such buyer.
- The products in this manual are manufactured with silicon as the main material.
- The products in this manual are not of radiation resistant design.

The products listed in this catalogue are designed to be used with ordinary electronic equipment or devices (such as audio-visual equipment, office-automation equipment, communications devices, electrical appliances, and electronic toys). Should you intend to use these products with equipment or devices which require an extremely high level of reliability and the malfunction of which would directly endanger human life (such as medical instruments, transportation equipment, aerospace machinery, nuclear-reactor controllers, fuel controllers, or other safety devices) please be sure to consult with our sales representatives in advance.

- Notes when exporting
  - It is essential to obtain export permission when exporting any of the above products when it falls under the category of strategic material (or labor) as determined by foreign exchange or foreign trade control laws.
  - Please be sure to consult with our sales representatives to ascertain whether any product is classified as a strategic material.